

Broil King®

ASSEMBLY MANUAL & PARTS LIST - MANUEL DE MONTAGE & LISTE DE PIÈCES - MANUAL DE ARMADO Y LISTA DE PARTES

Broil King

SIGNET 320B
9464-54
9464-57



Broil King

SIGNET 320
9468-54ED
9468-57ED



Broil King

SIGNET 320
9468-54
9468-57



Broil King

SIGNET 390
9468-84
9468-87



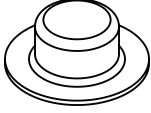
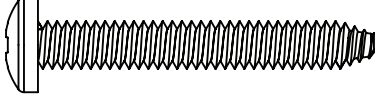
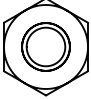

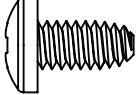
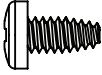

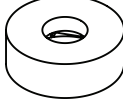
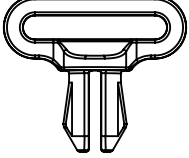


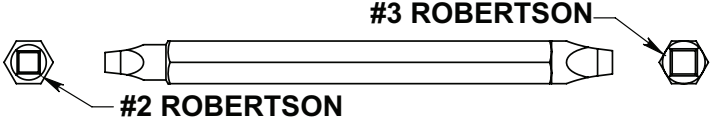
RETAIN FOR FUTURE REFERENCE - VEUILLEZ CONSERVER POUR REFERENCE ULTERIEURE - CONSERVER PARA FUTURAS CONSULTAS

Onward
SINCE 1906
MANUFACTURING COMPANY LIMITED
585 KUMPF DRIVE
WATERLOO, ONTARIO, CANADA
N2V 1K3

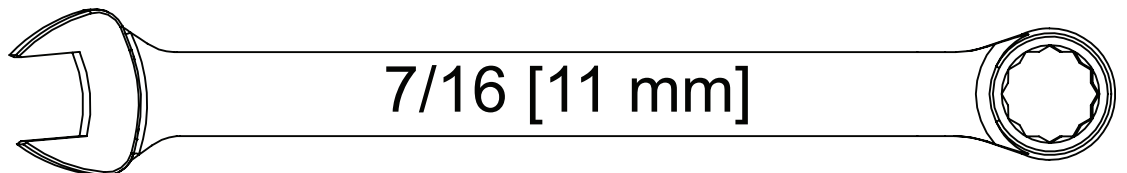
info@omcbbq.com
1-800-265-2150

10084-E38 REV E 08/22

HARDWARE INCLUDED / MATERIAL INCLUS

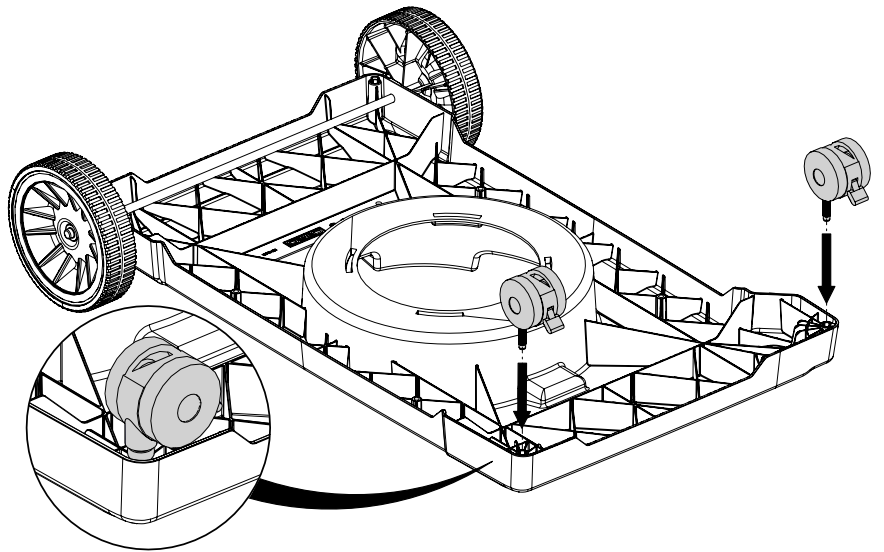
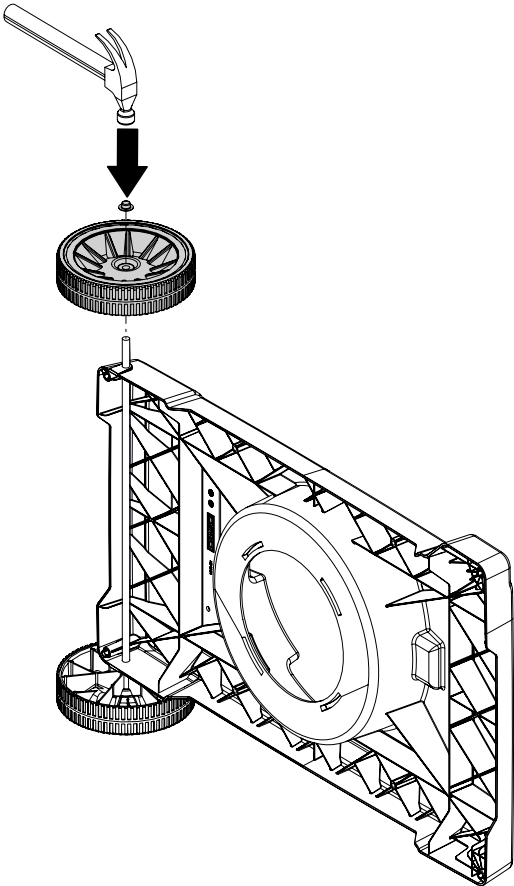
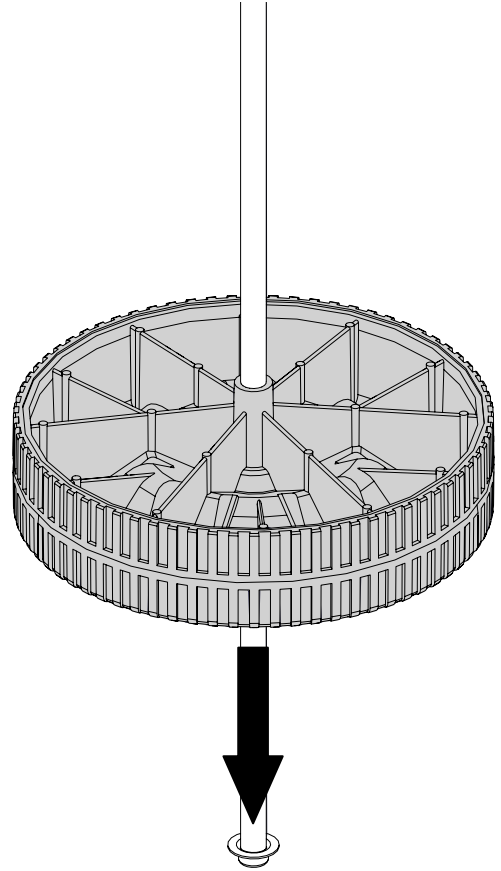
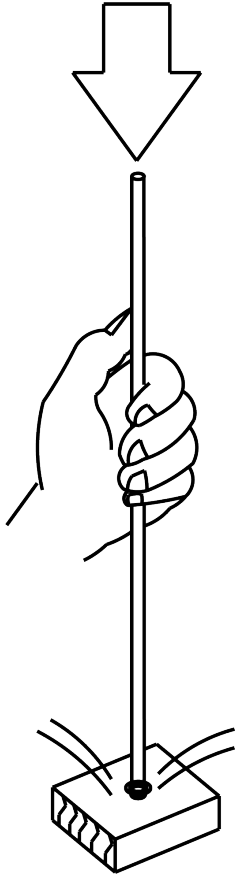
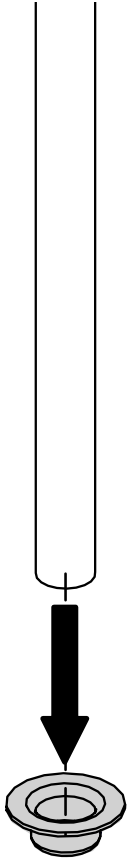
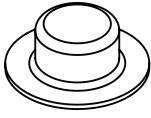
S21420		(2)	Y-11561		(4)
Y-11793		(2)	AAA		(1)
Y-12865		(12)	Y-29304		(2)
S21124		(2)	Y-12124		(2)
Y-12673		(2)	Y-29306		(2)
S21061		(2)	 <p>#3 ROBERTSON</p> <p>#2 ROBERTSON</p>		

TOOLS REQUIRED / OUTILS NECESSAIRES

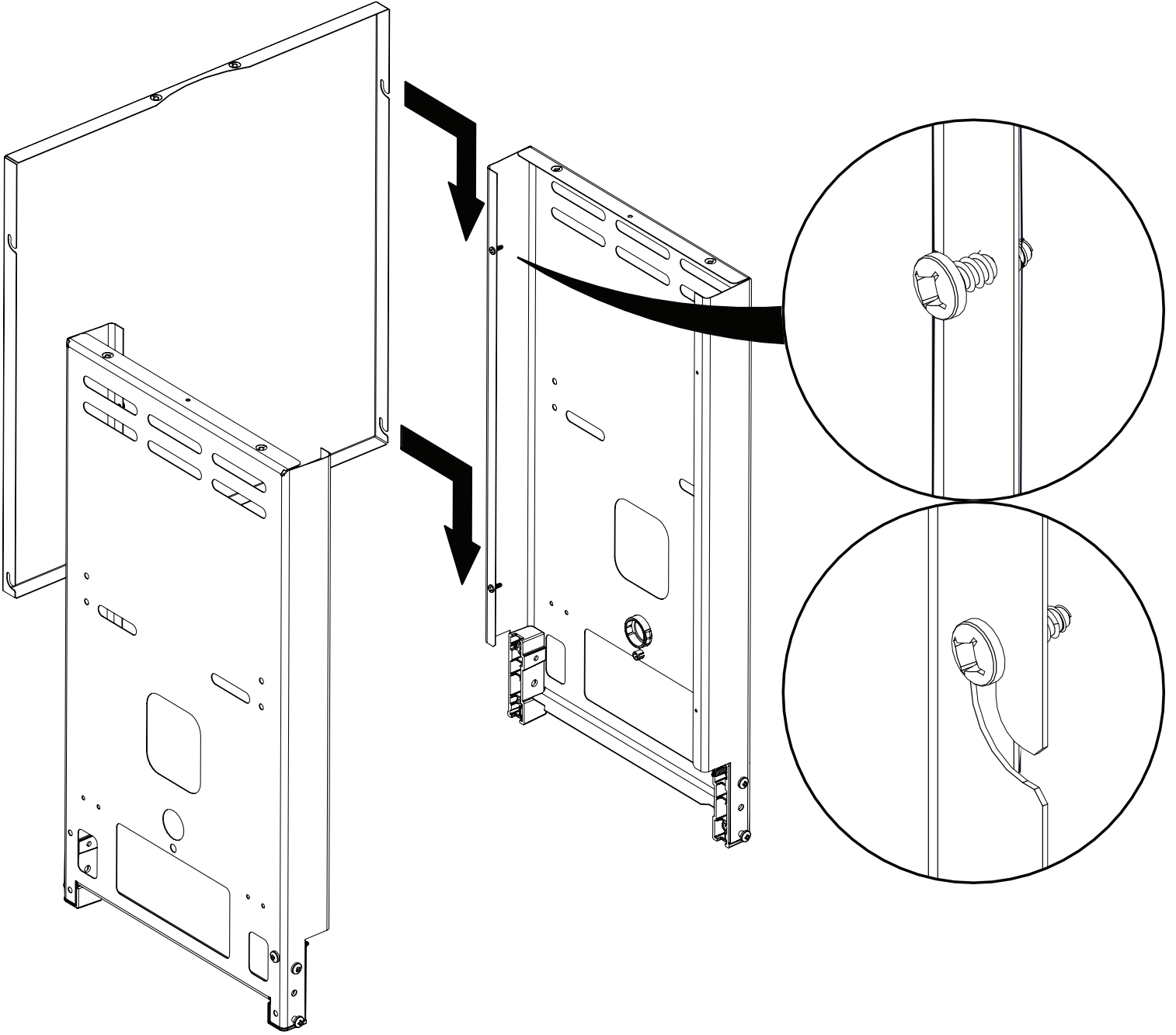


1

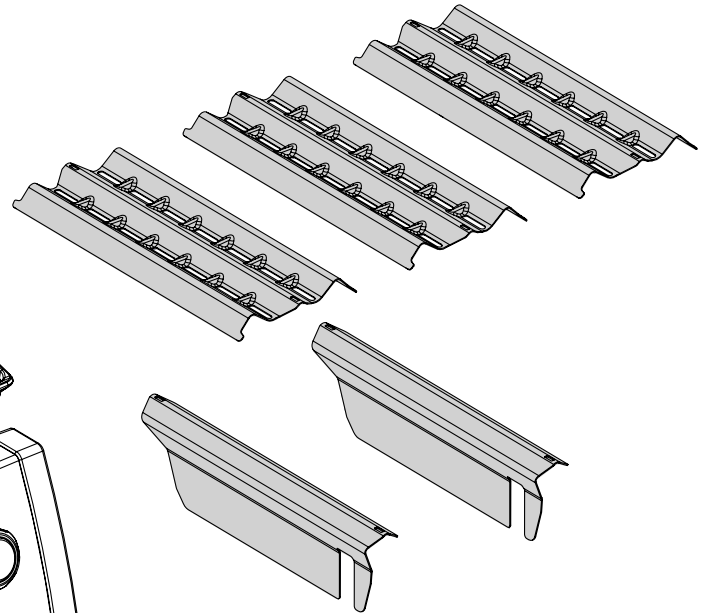
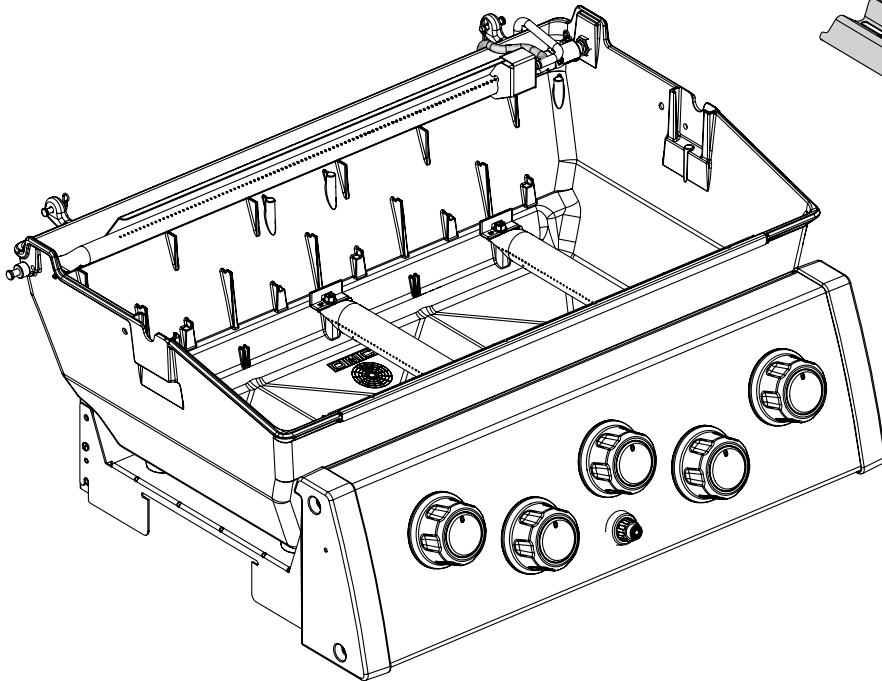
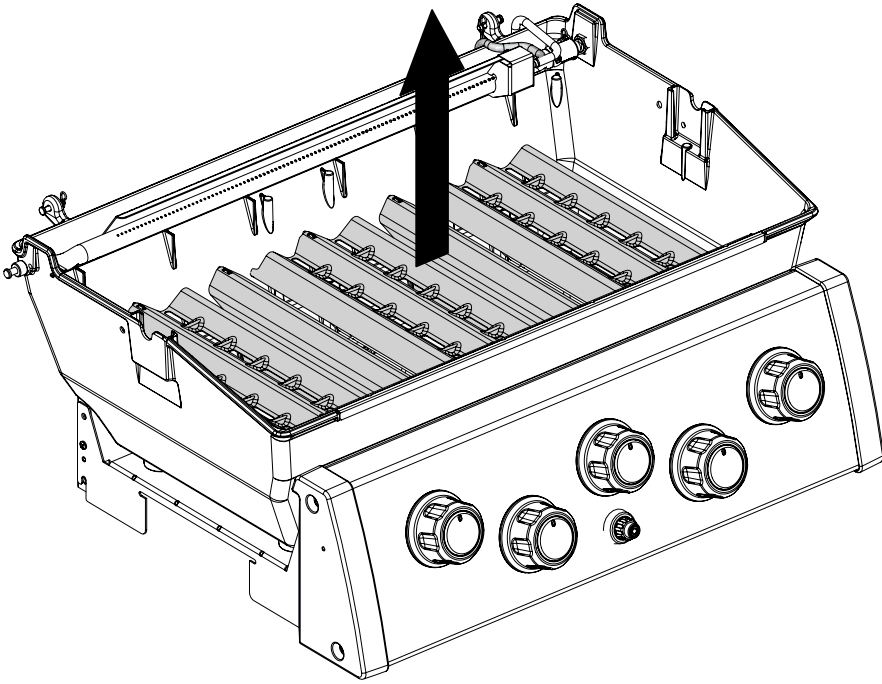
(2)



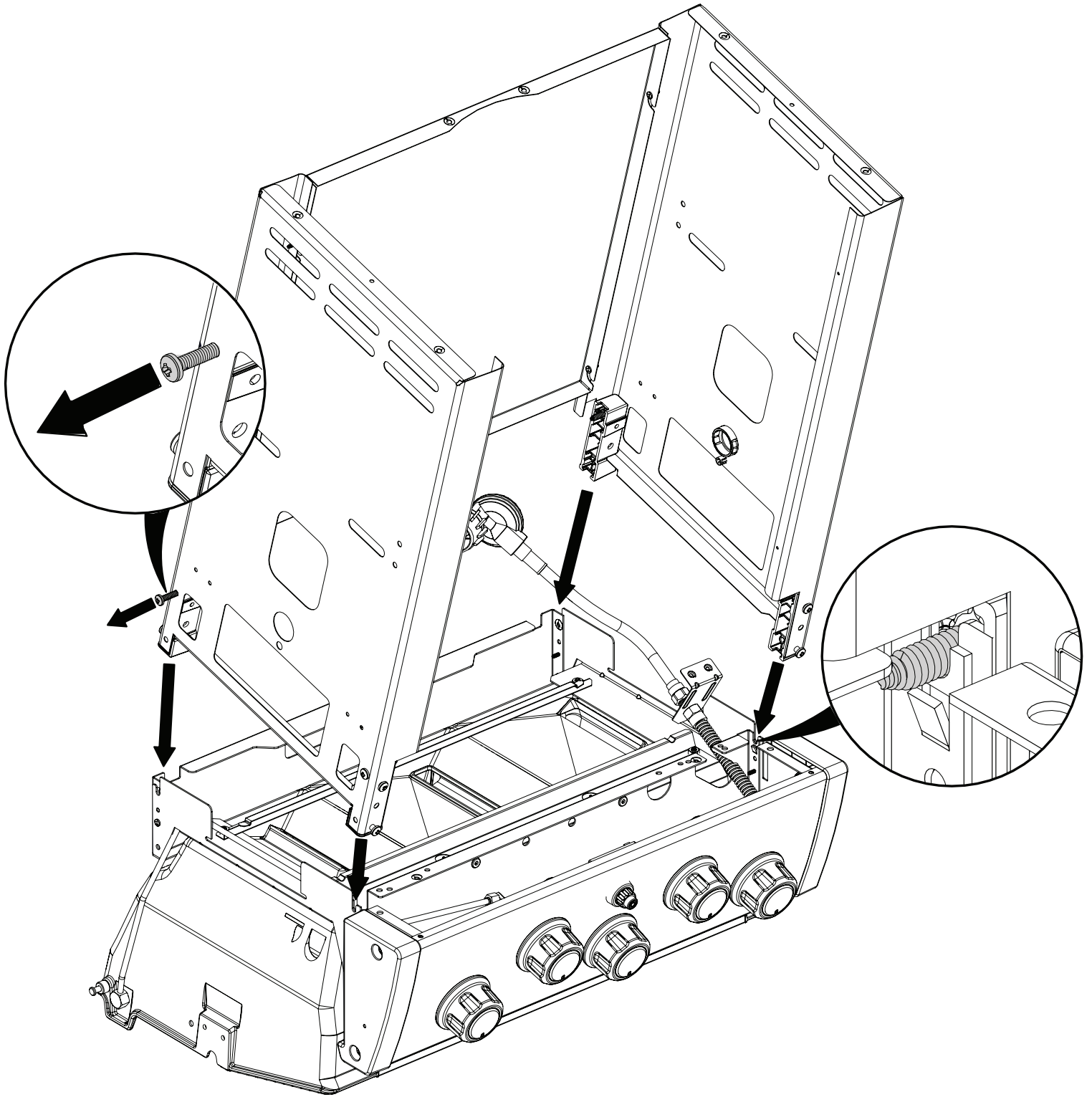
2



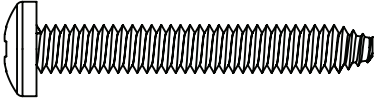
3

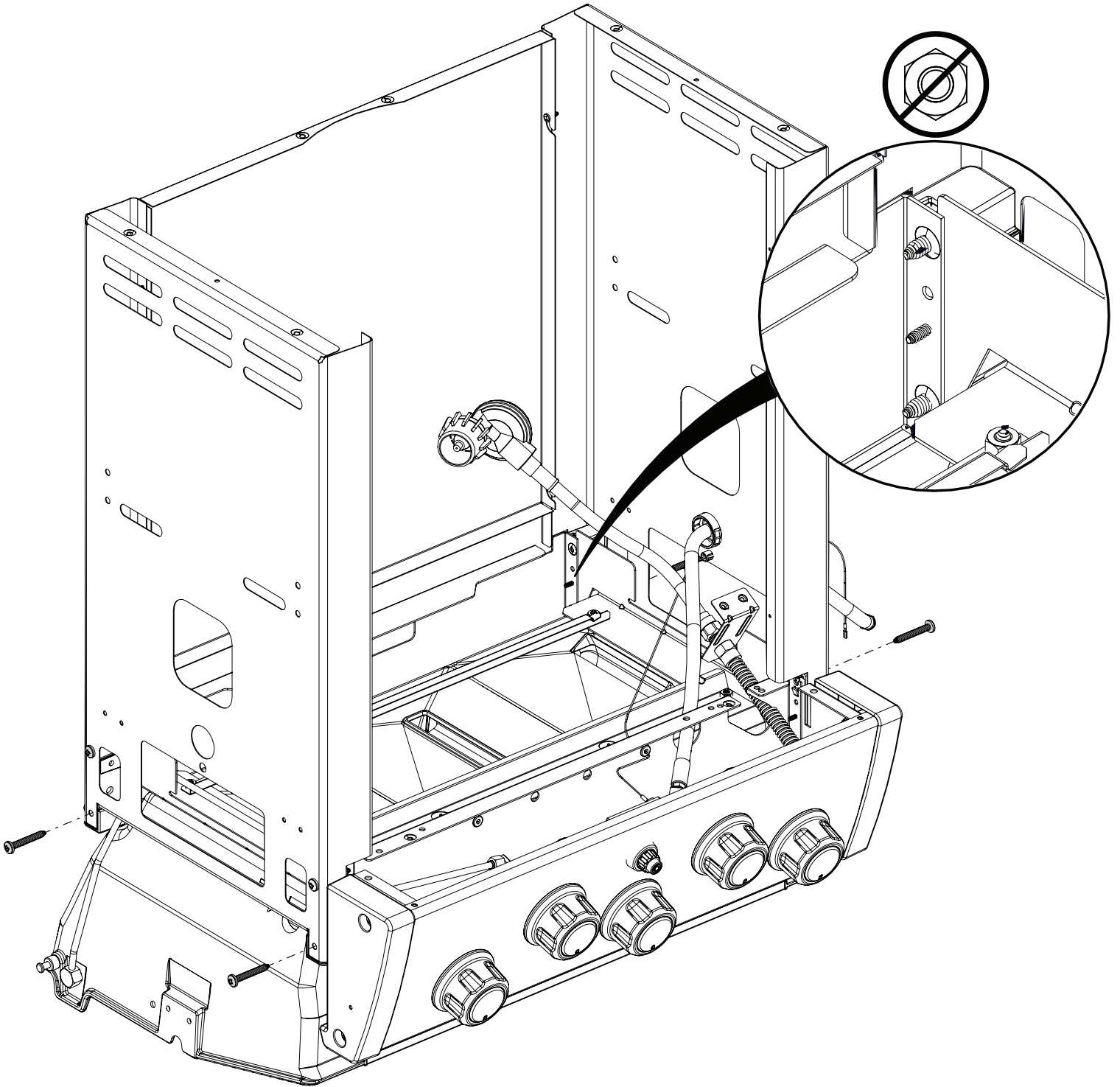


4



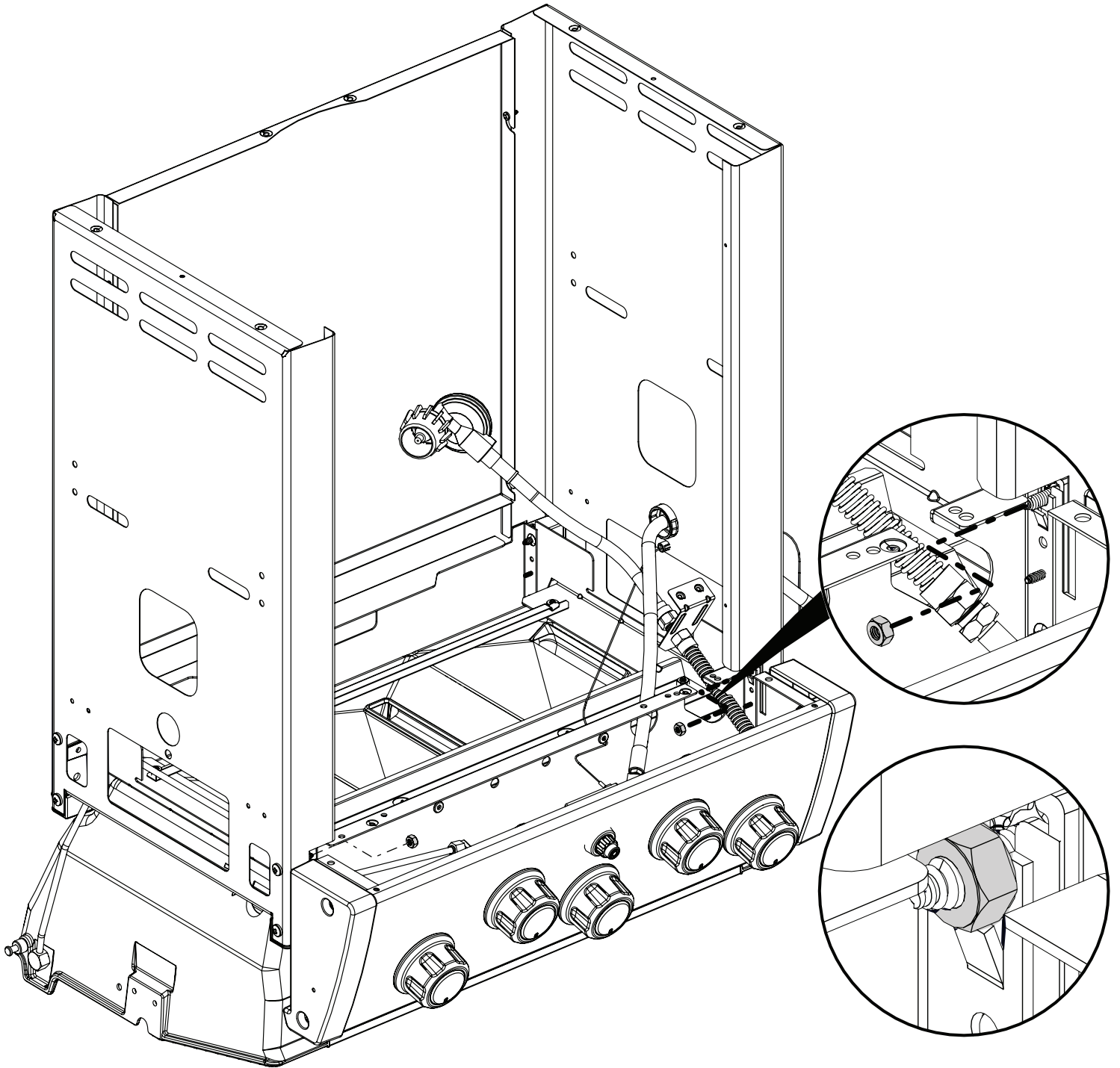
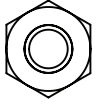
5

(4) 



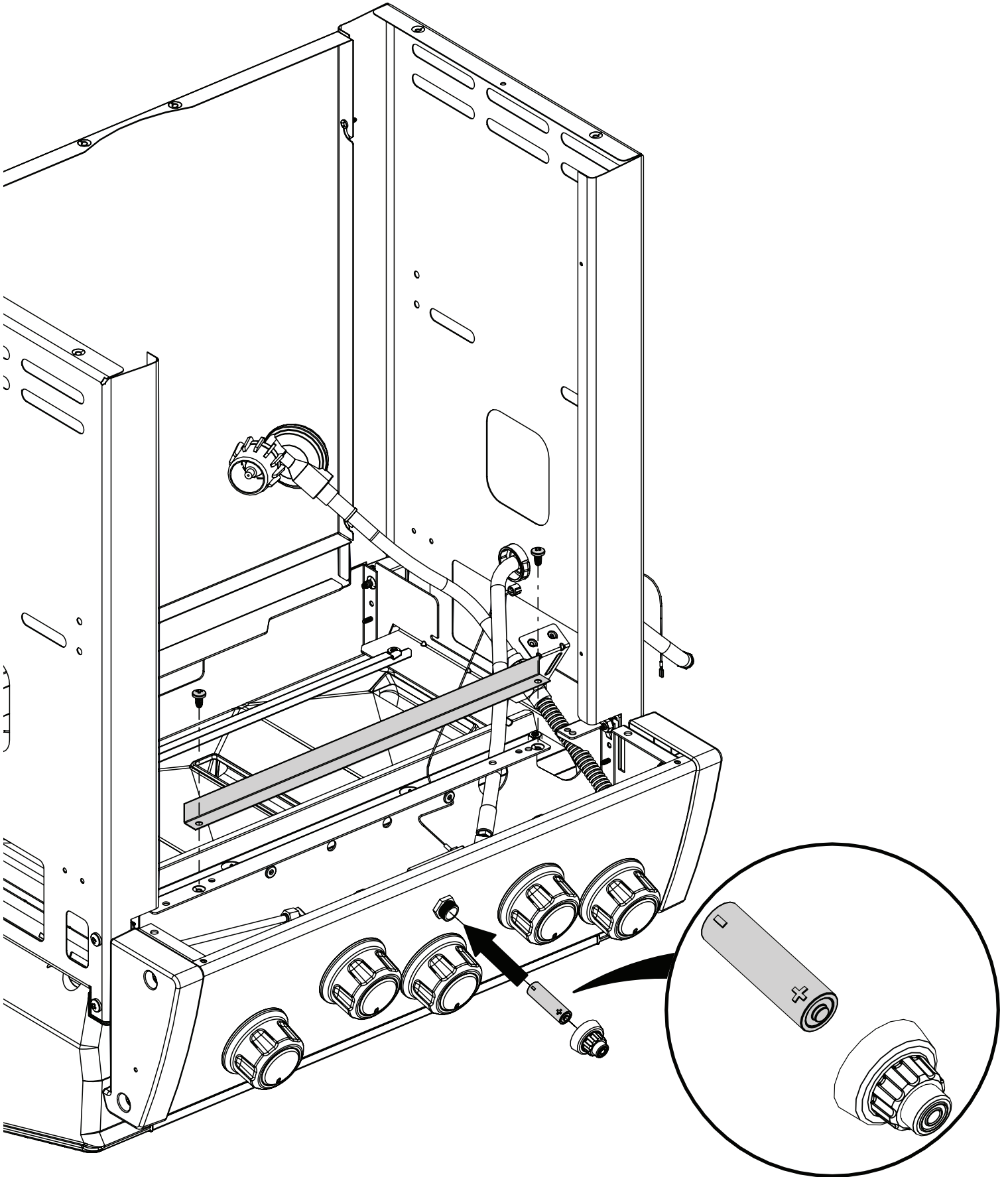
6

(2)



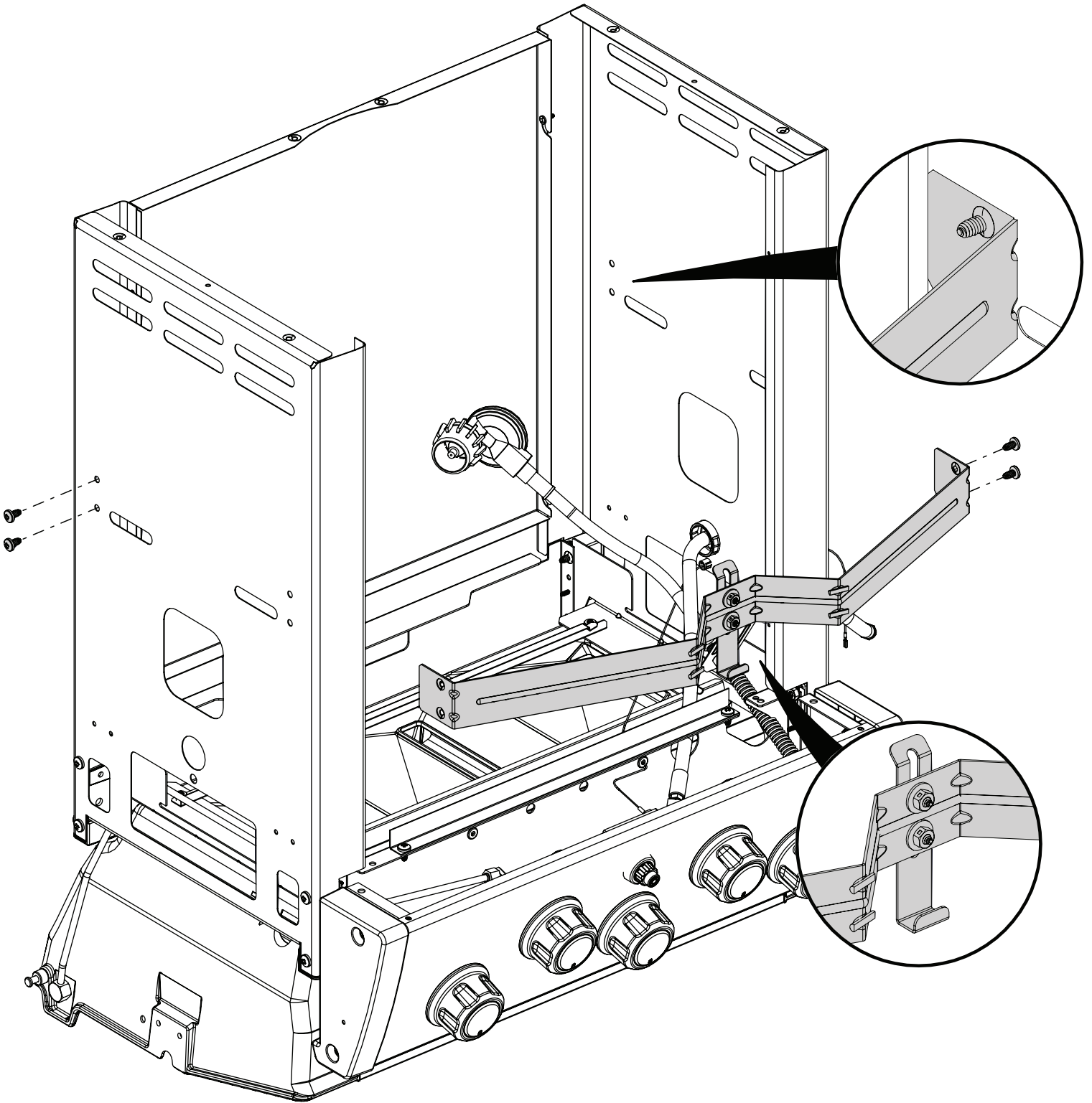
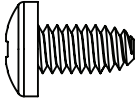
7

- (1)  AAA  (2)

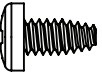


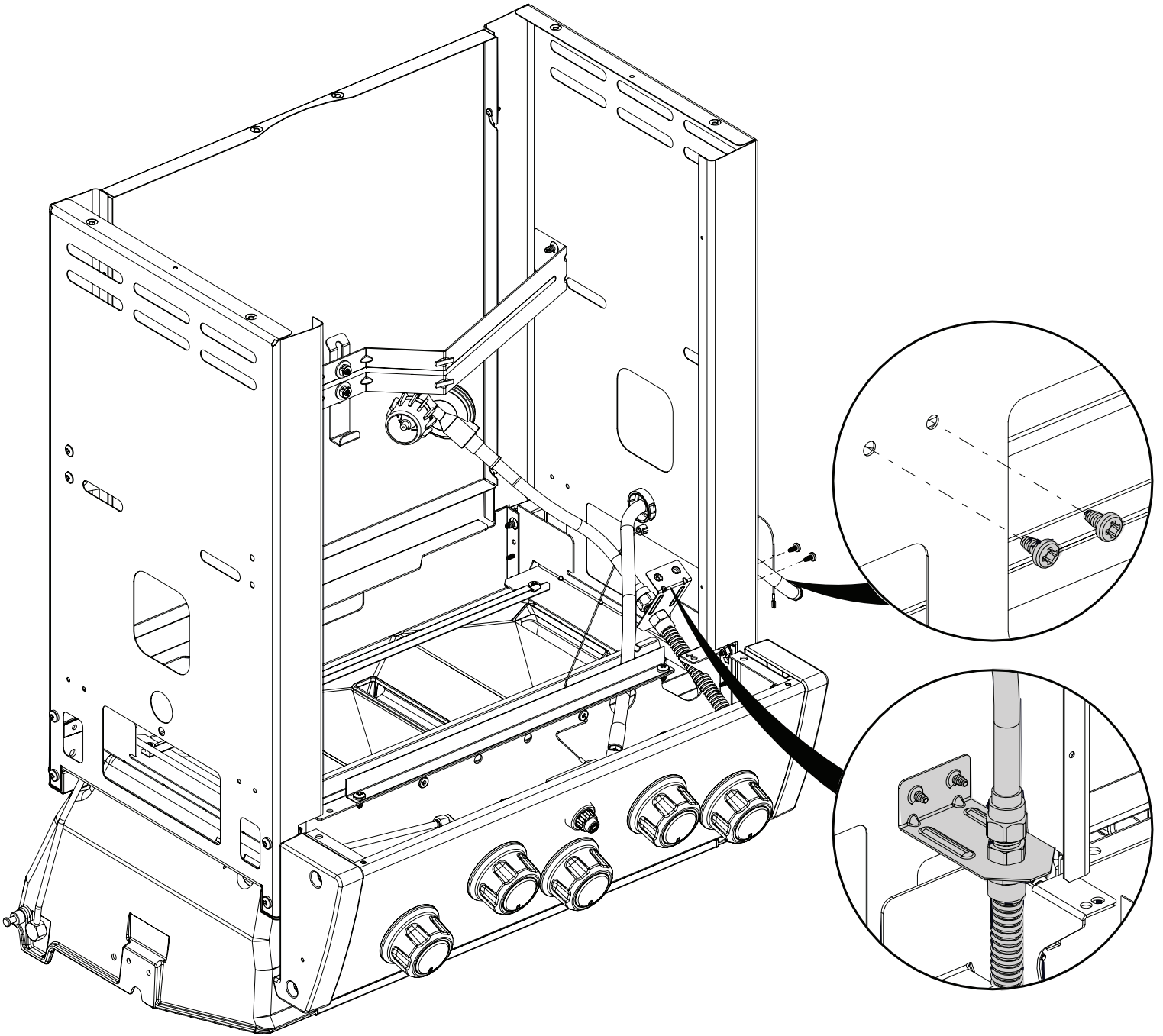
8

(4)



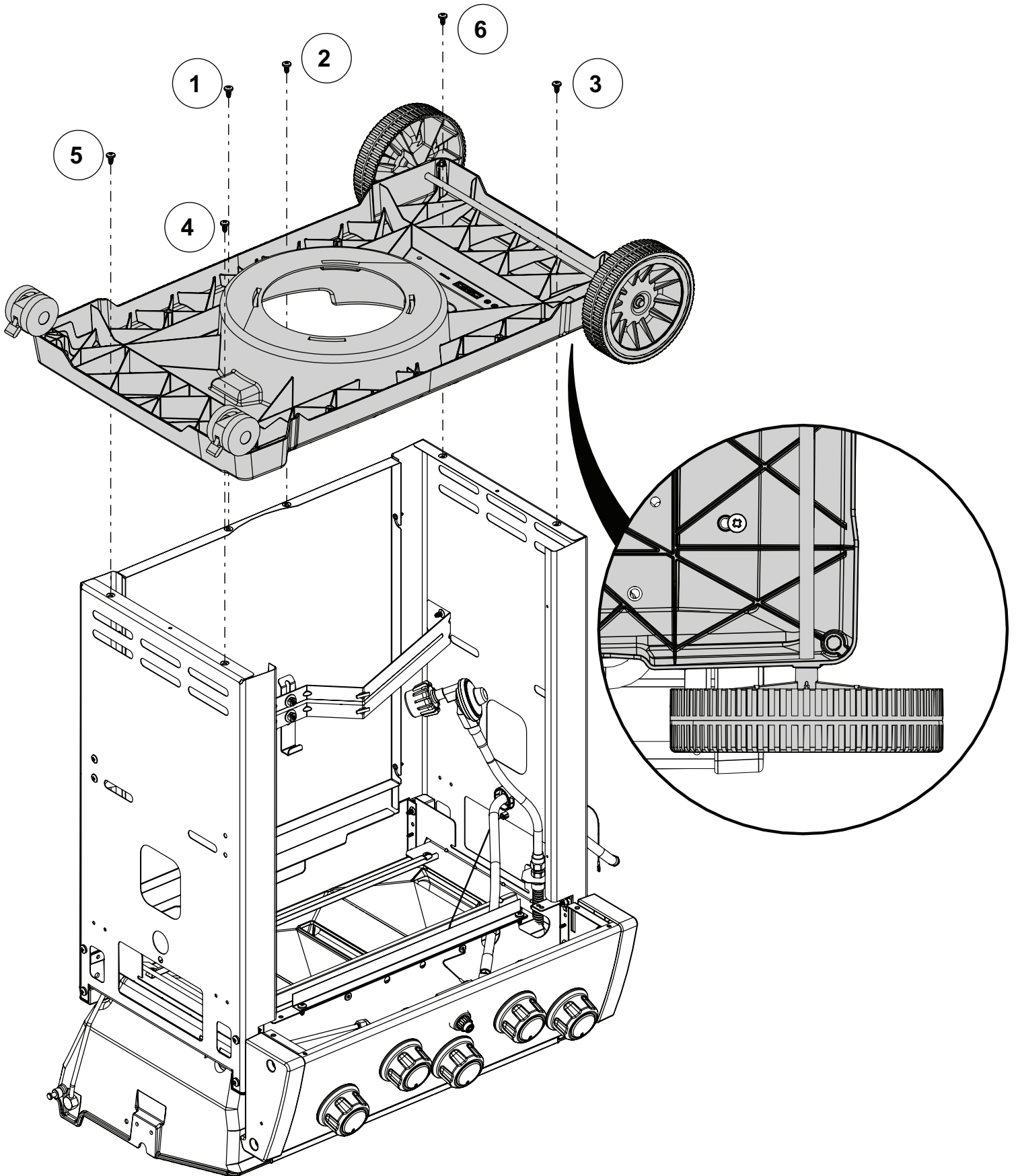
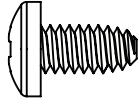
9

(2) 




10

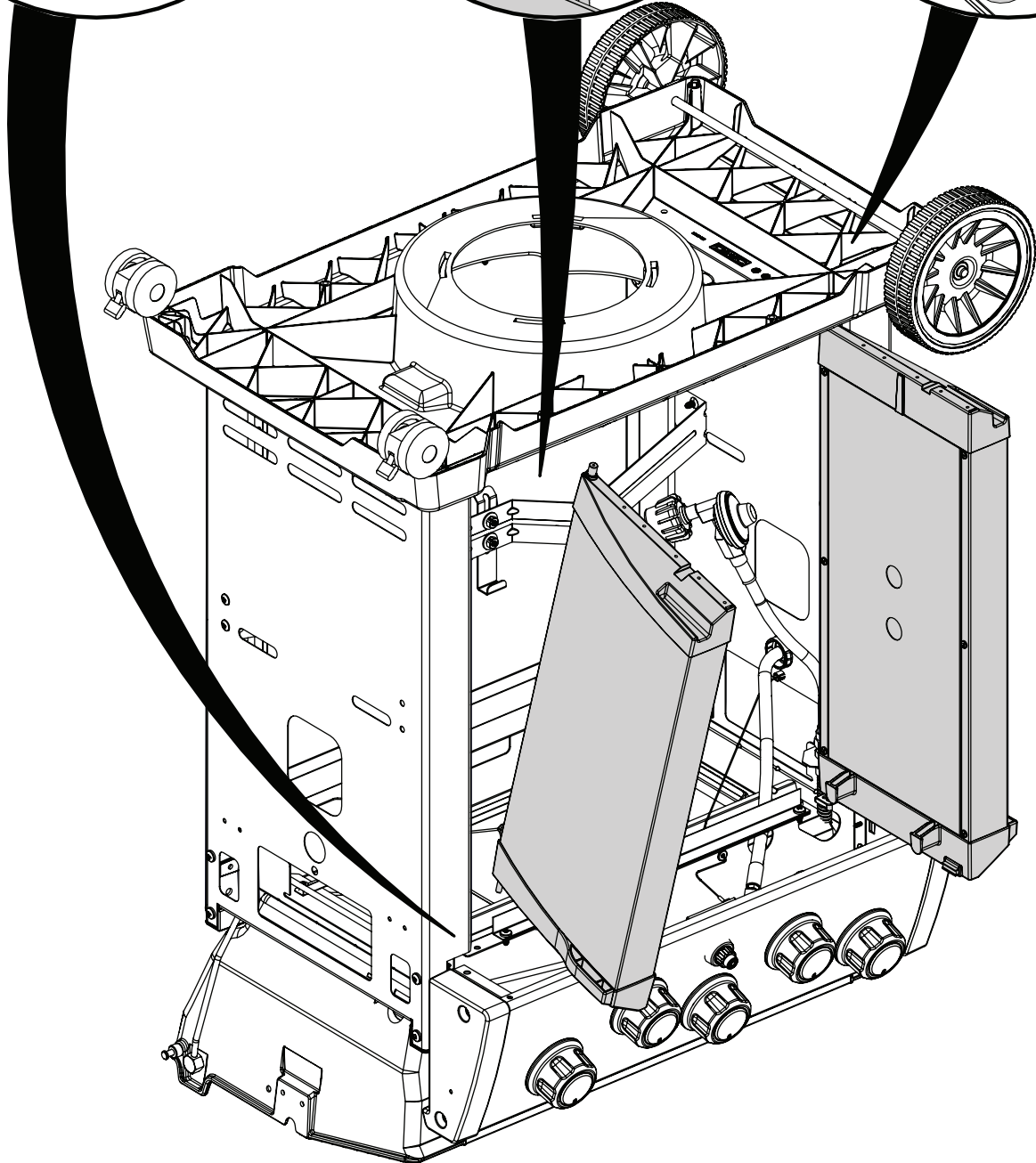
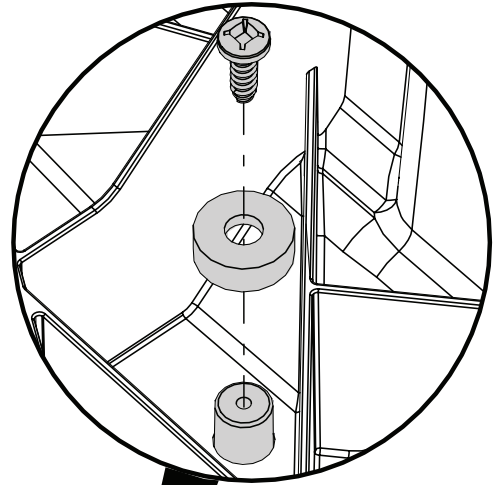
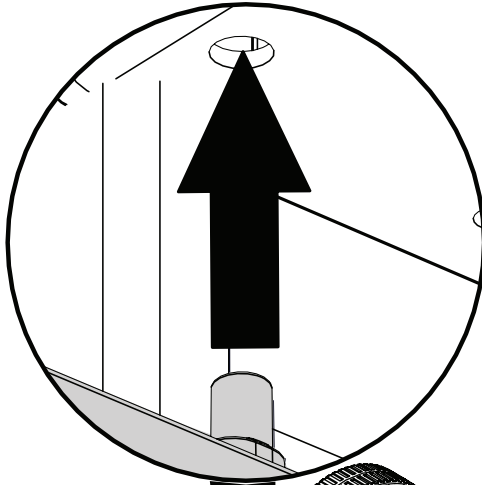
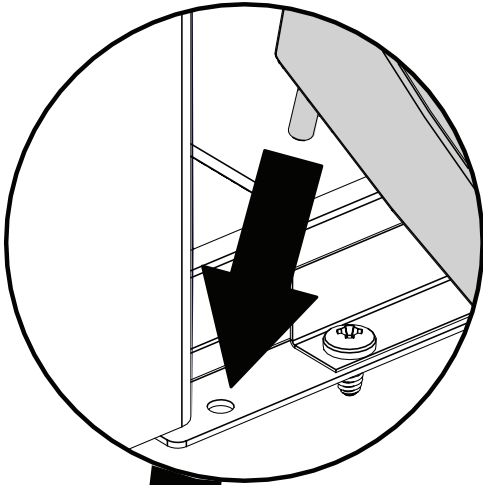
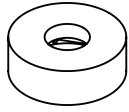
(6)



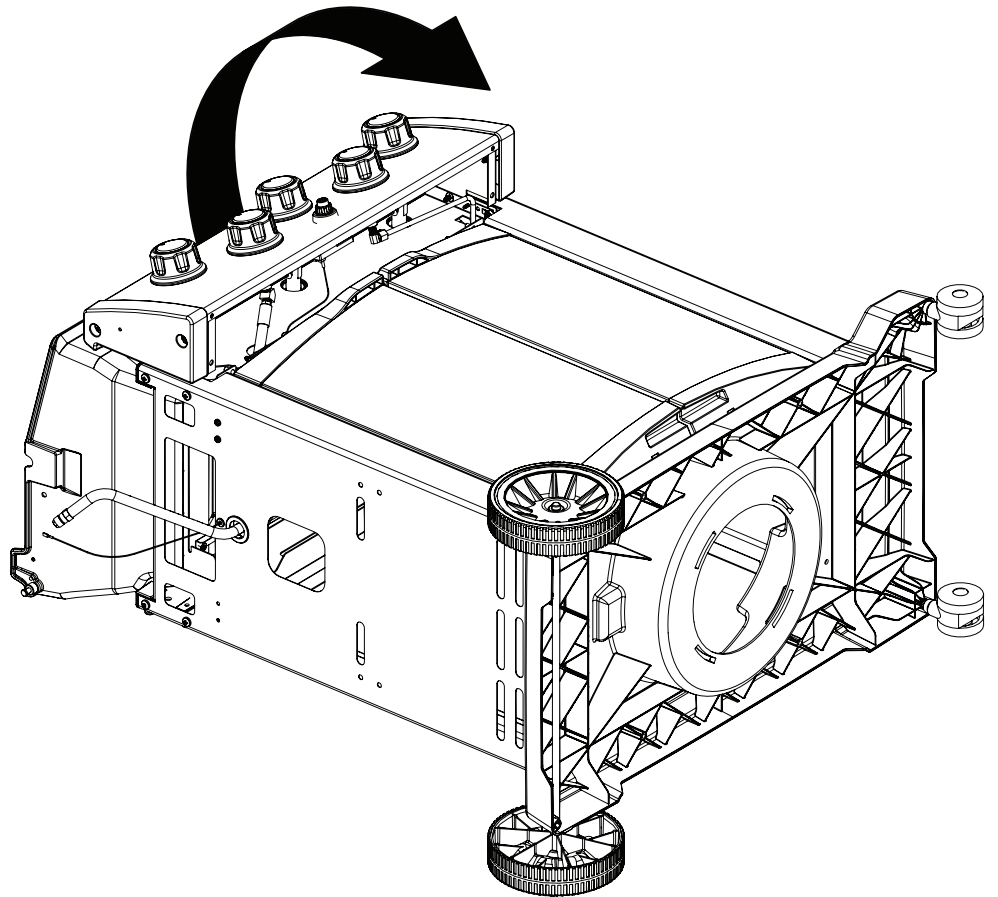
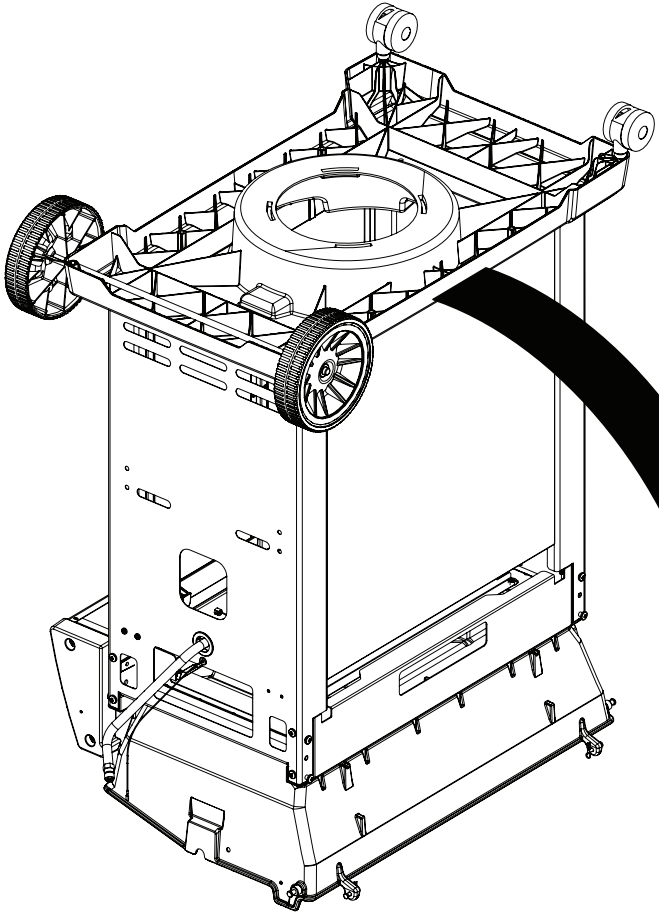
11

(2) 

(2)

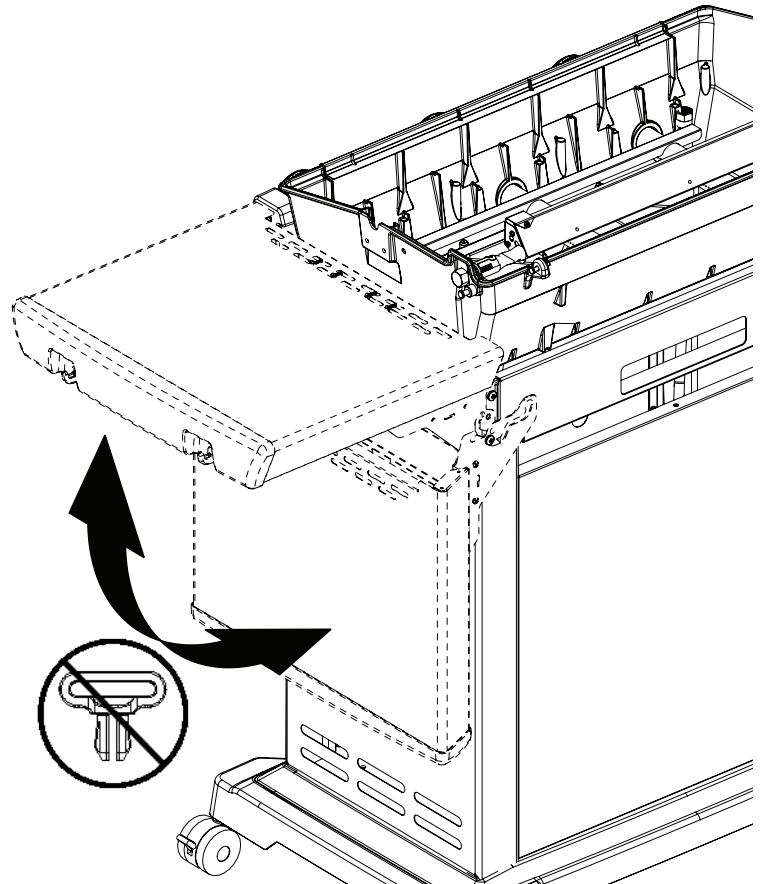
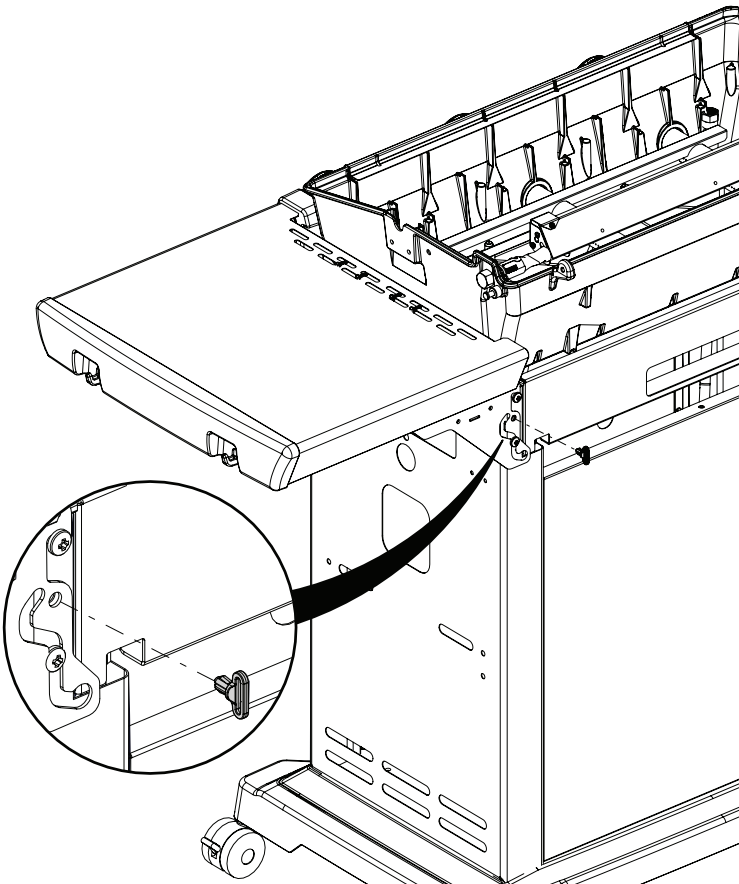
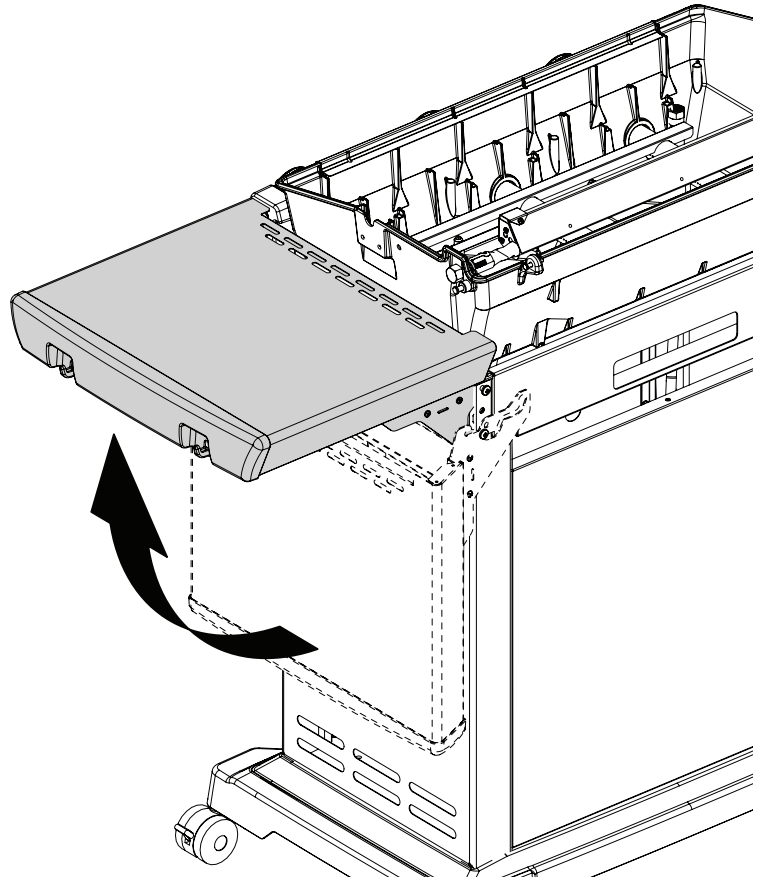
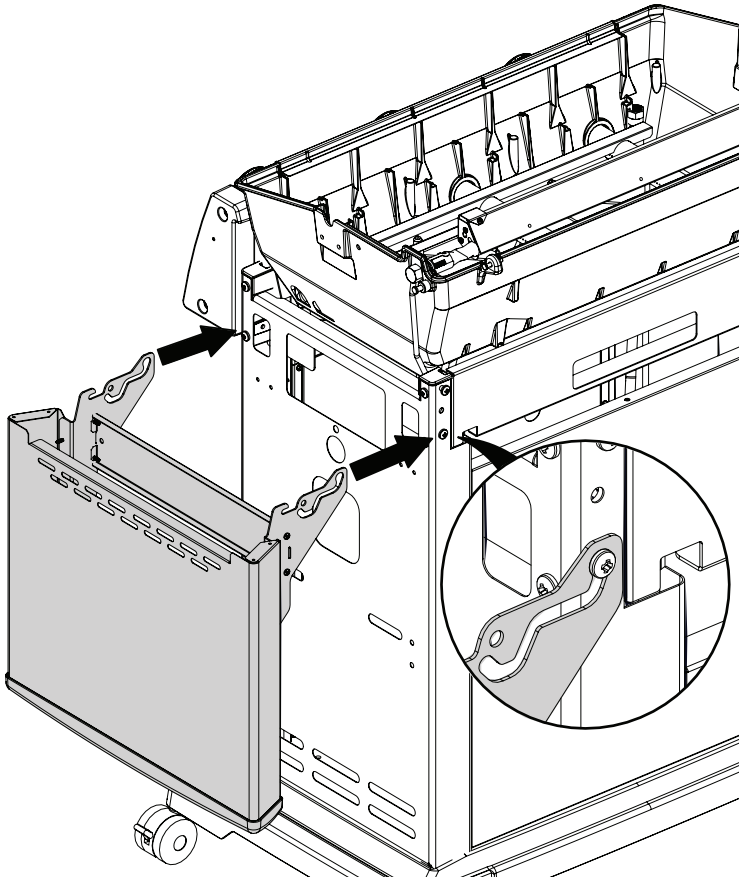
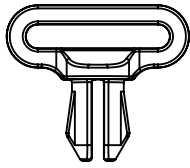


12



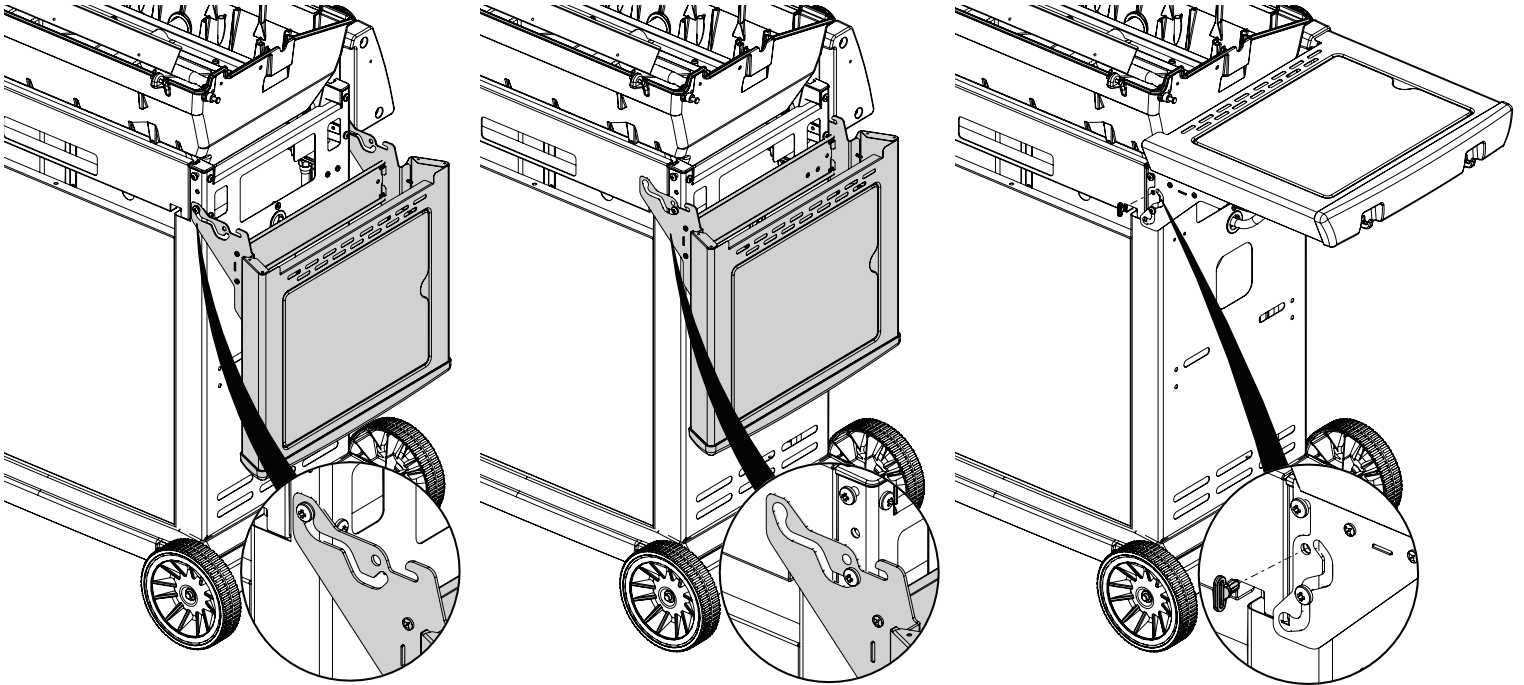
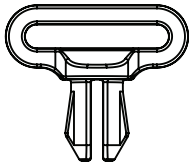
13

(1)



14

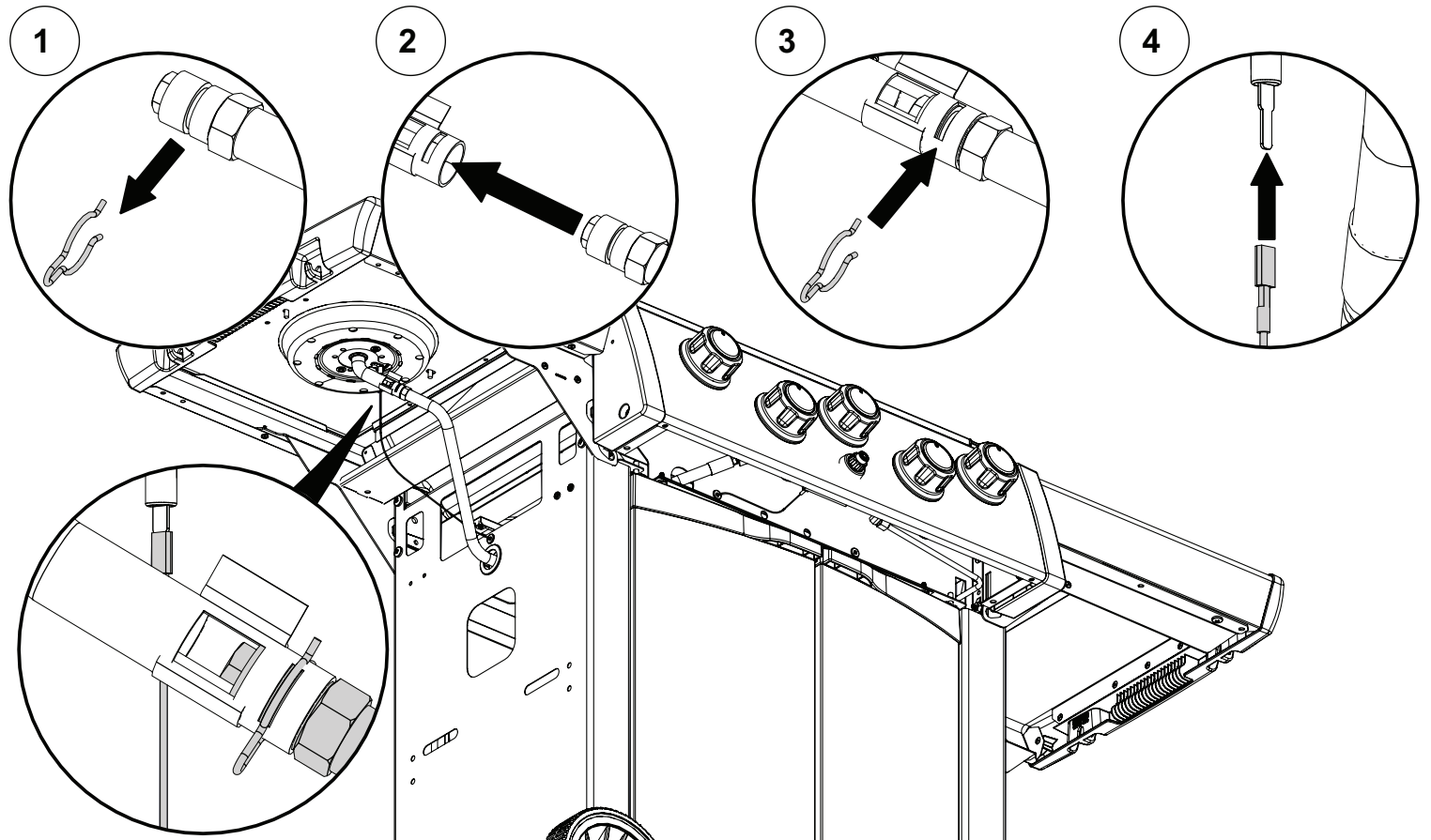
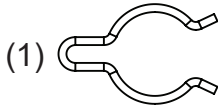
(1)



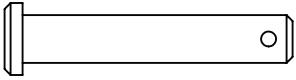
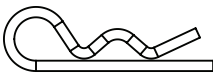
15

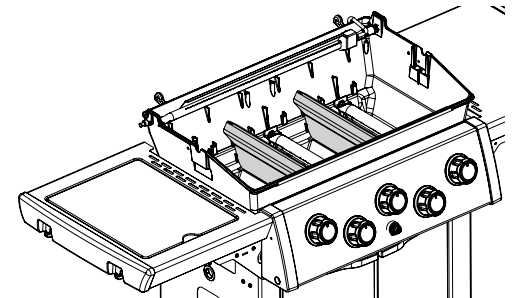
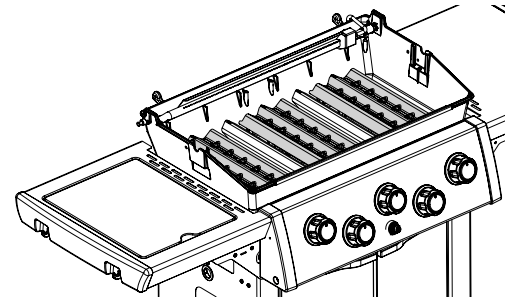
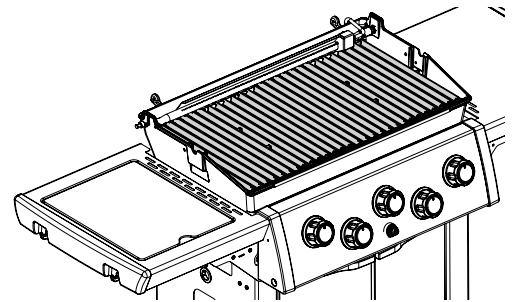
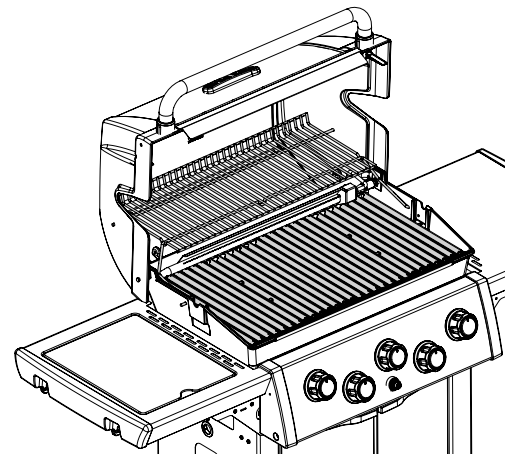
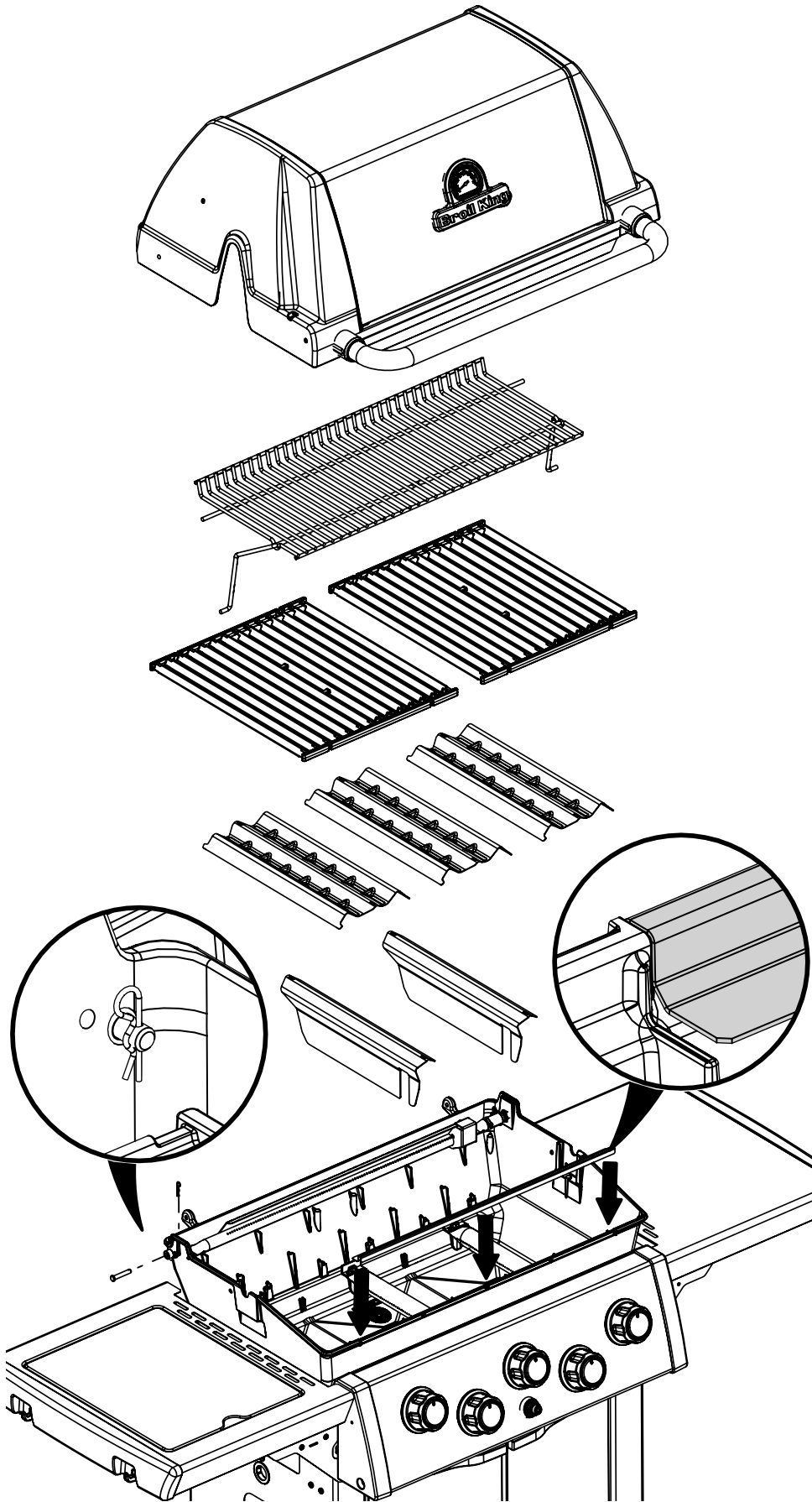


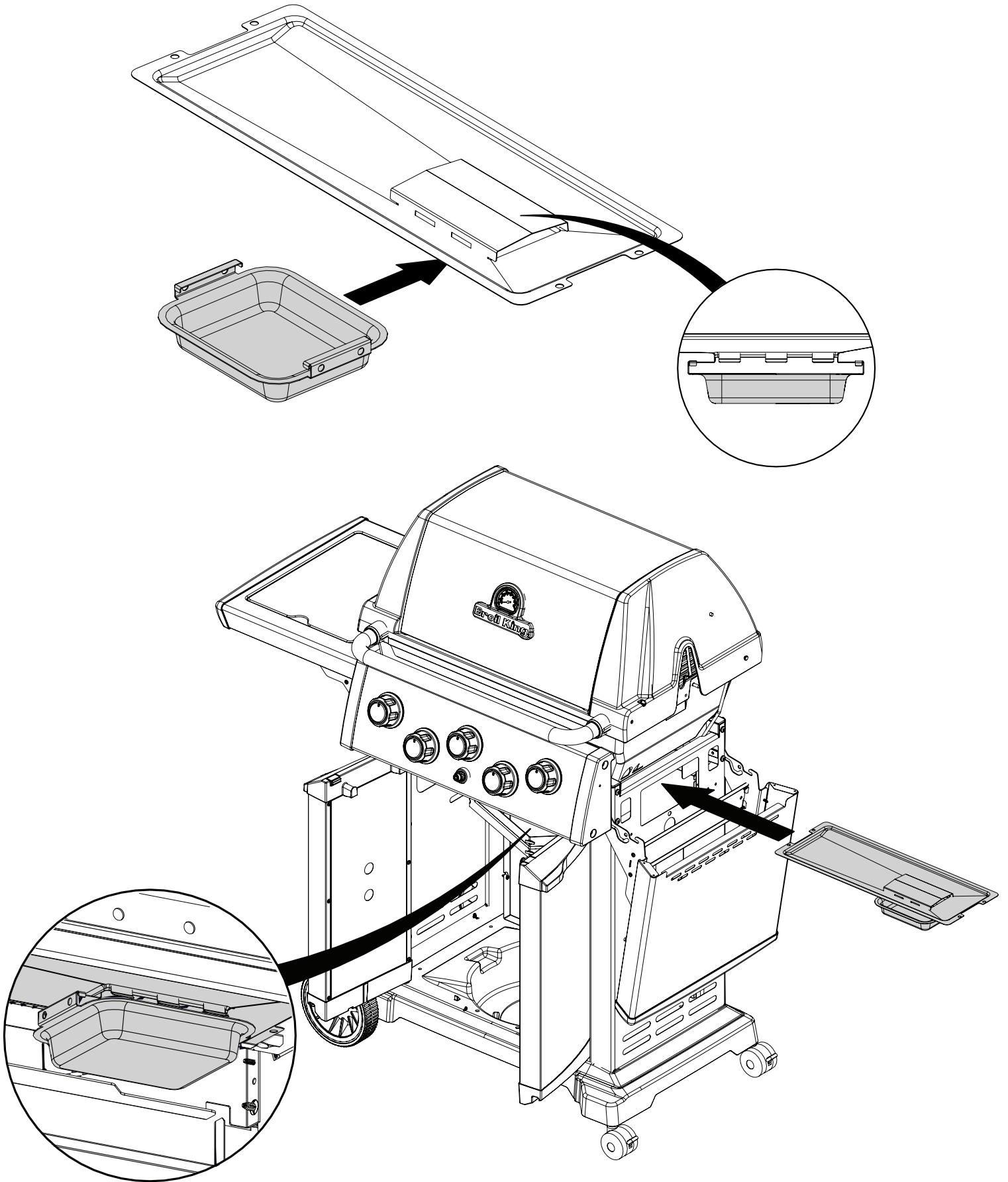
(1)

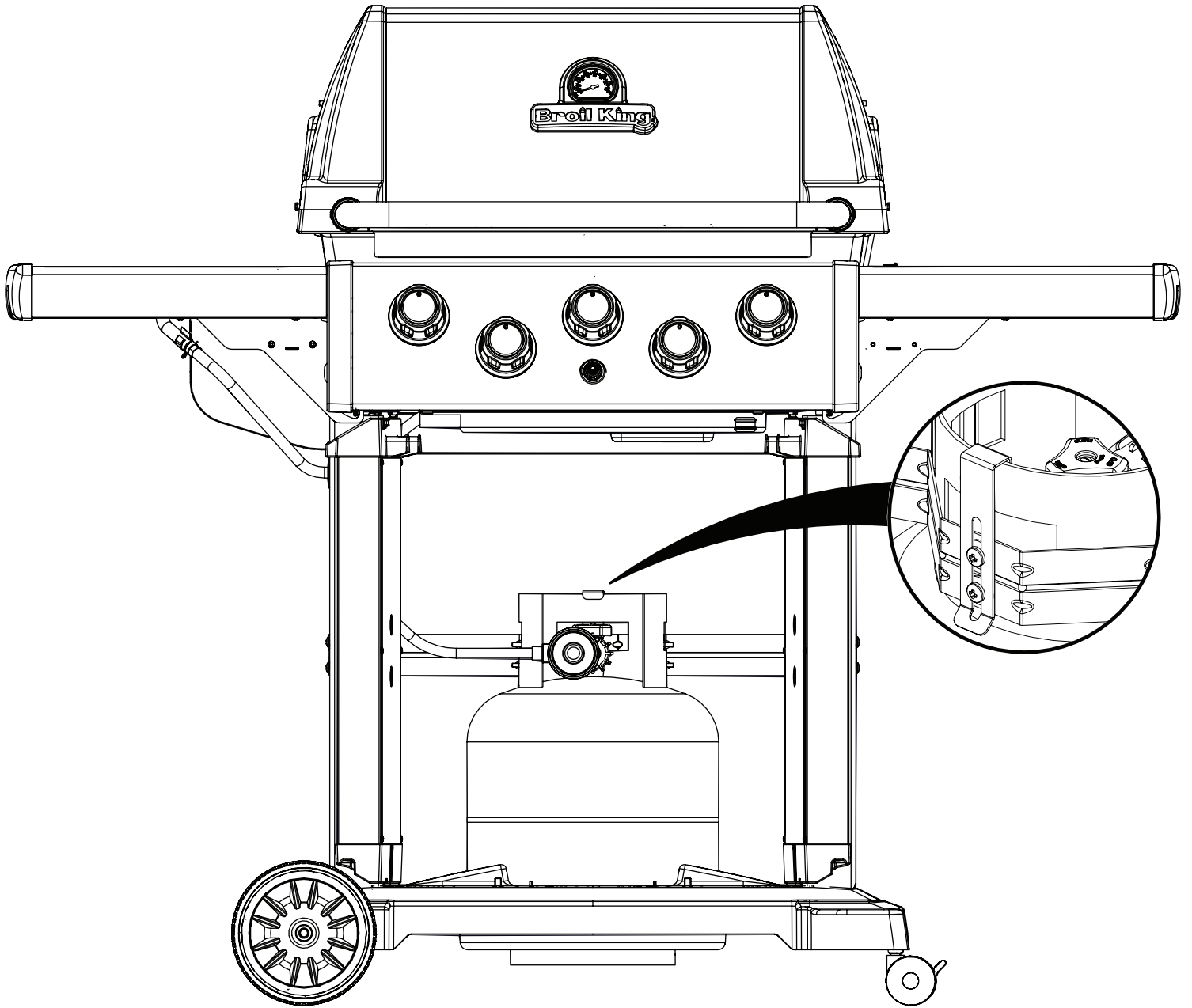


16

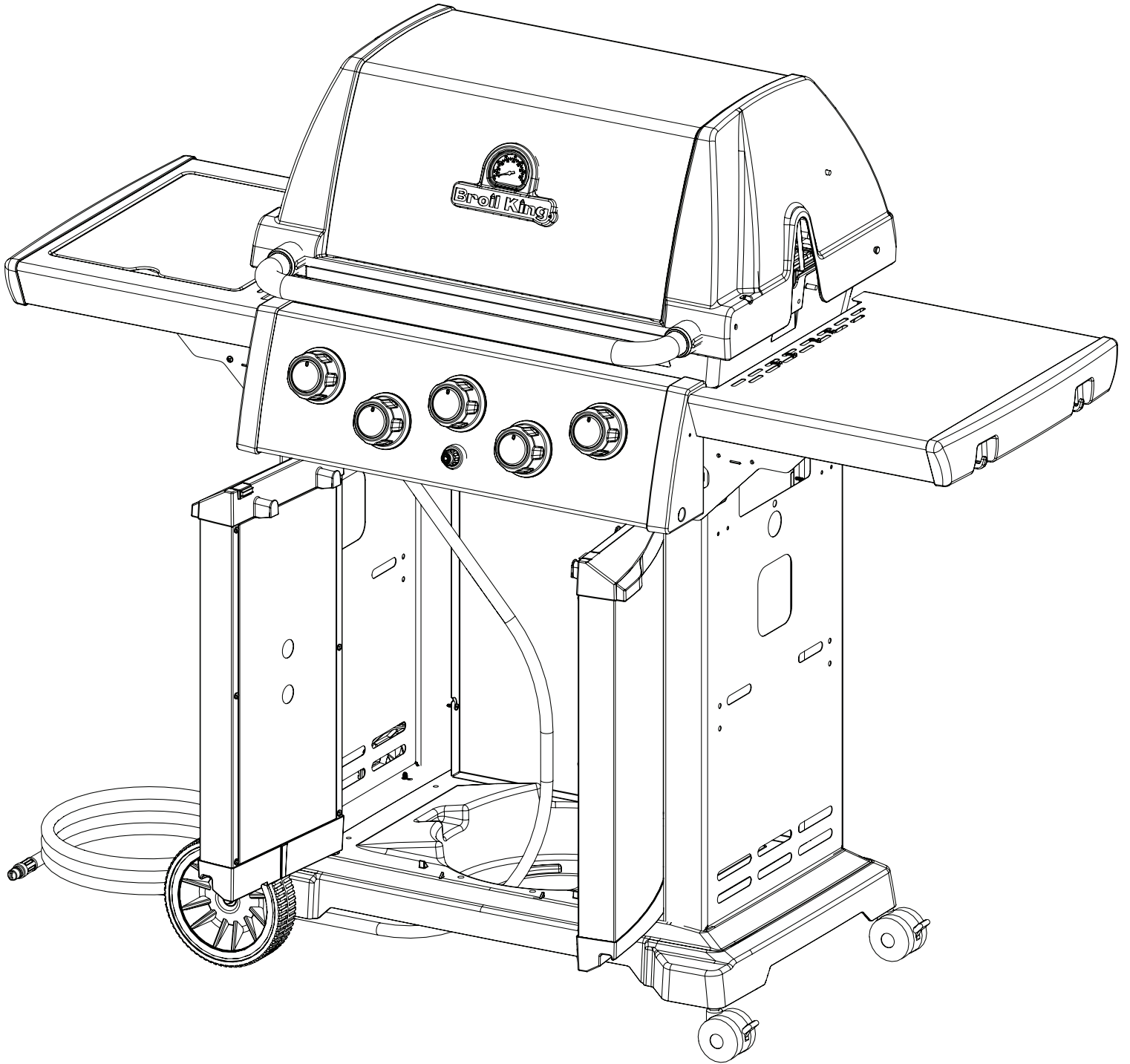
(2)  (2) 



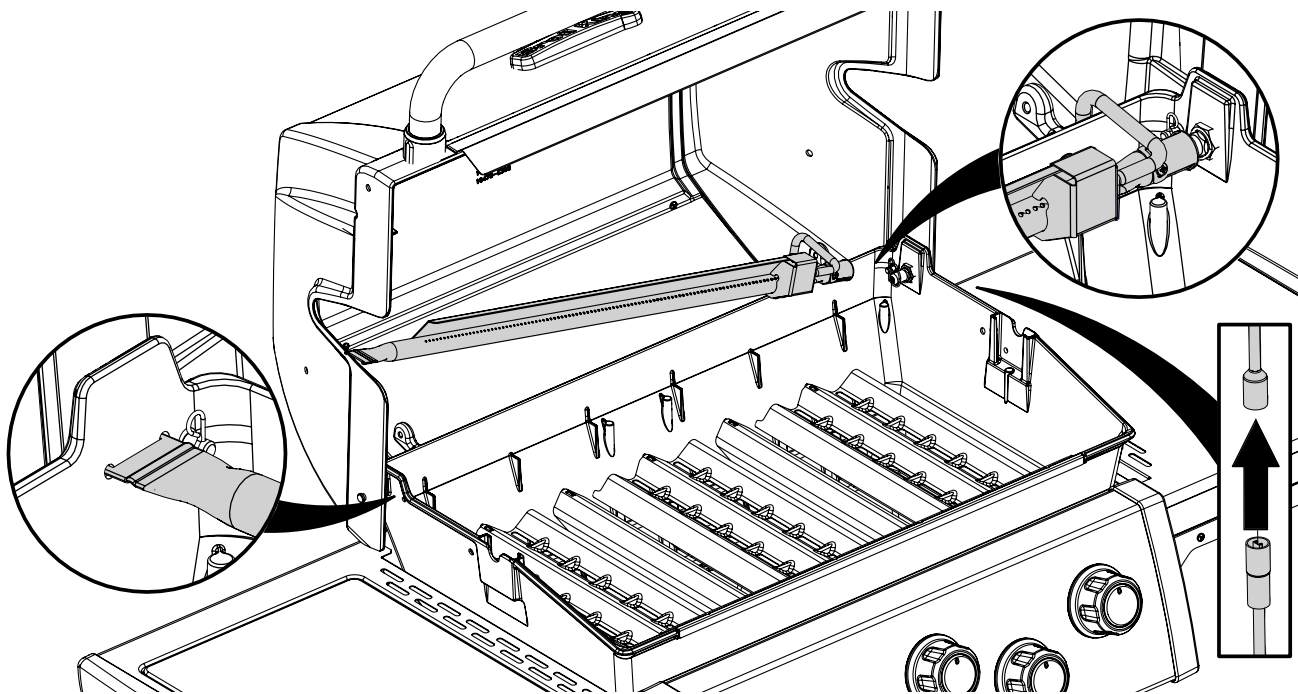
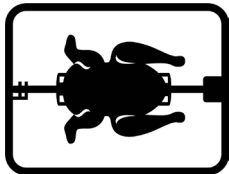




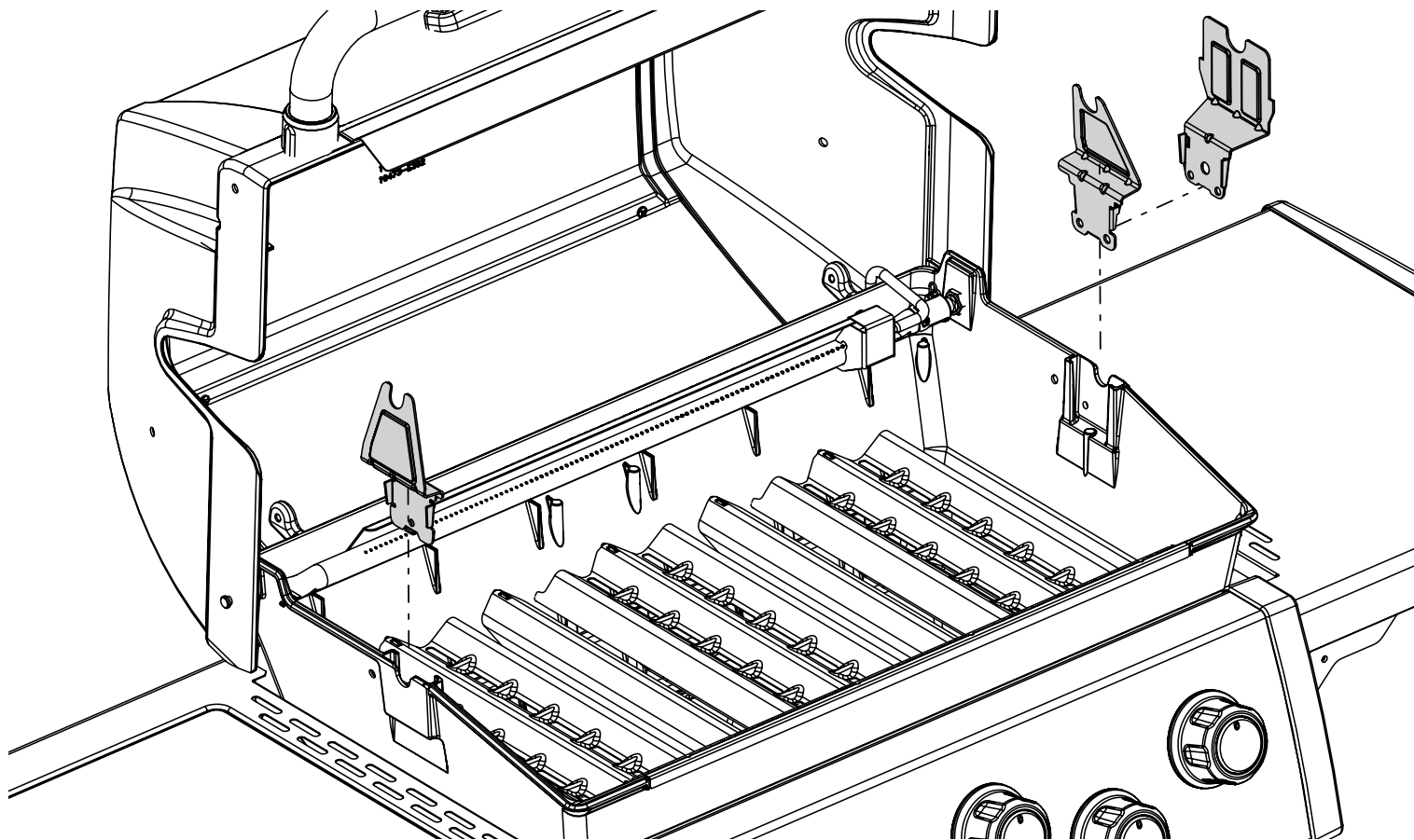
19



20



21



22

