

Broil King®

OWNER'S MANUAL

FOR USE WITH

Broil King® Regal Pellet 500 / 400

For Model(s) 496051, 495051

CERTIFIED TO UL SUBJECT 2728

CERTIFIED TO ULC/ORD C2728

CONTENTS

INTRODUCTION 2

SAFETY 2

PELLET GRILL PARTS 3

DIGITAL CONTROL 4

GETTING STARTED 5

PELLET GRILL APP 6

PELLET FUEL 7

COOKING TECHNIQUES 7

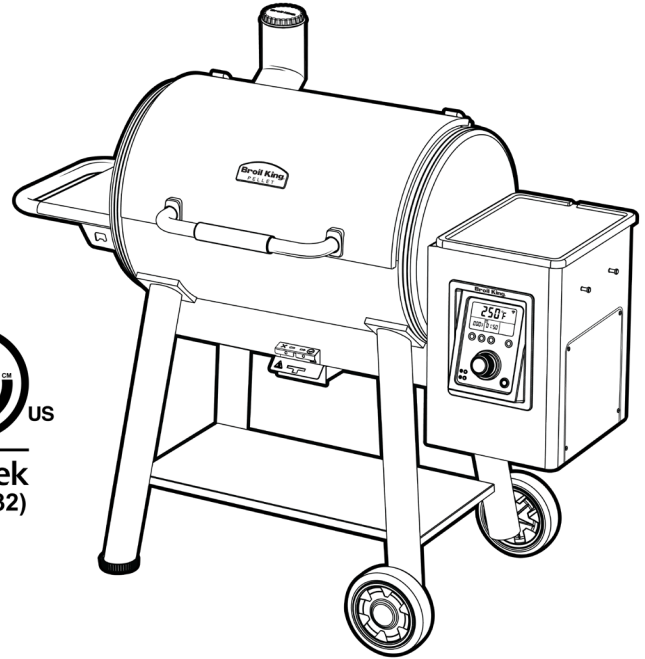
RECIPES 10

MAINTENANCE 11

WARRANTY 12

GUIDE DE L'UTILISATEUR 13

MANUAL DEL USUARIO 25



PLEASE RECORD YOUR MODEL NUMBER, SERIAL NUMBER AND DATE OF PURCHASE HERE.

This information can be found on the black and silver OMC caution sticker on the back or side of your grill.

Model Number									
Serial Number									
Date of Purchase									
		dd	/		mm	/		yyyy	

NOTE TO INSTALLER THESE INSTRUCTIONS MUST BE LEFT WITH THE CUSTOMER

PLEASE READ THIS ENTIRE MANUAL BEFORE INSTALLATION AND USE OF THIS PELLET-BURNING APPLIANCE. FAILURE TO FOLLOW THESE INSTRUCTIONS COULD RESULT IN PROPERTY DAMAGE, BODILY INJURY, OR EVEN DEATH. CONTACT LOCAL BUILDING OR FIRE OFFICIALS ABOUT RESTRICTIONS AND INSTALLATION INSPECTION REQUIREMENTS IN YOUR AREA. SAVE THESE INSTRUCTIONS FOR FUTURE REFERENCE.

1-800-265-2150
info@omcbbq.com

Onward
MANUFACTURING COMPANY
 SINCE 1906
 585 KUMPF DRIVE LIMITED
 WATERLOO, ONTARIO, CANADA

EN
 40094-E50 REV M 12/20

Your new Broil King® Pellet Grill is a safe, convenient appliance when assembled and used properly. As with all pellet fuel-burning products, however, certain safeguards must be observed. Failure to follow these safeguards may result in serious injury or damage. If you have questions concerning assembly or operation, consult your dealer, or our direct customer service line at 1-800-265-2150. / info@omcbbq.com

- Please read this entire manual before installation and use of this pellet-burning appliance. Failure to follow these instructions could result in property damage, bodily injury, or even death.
- Contact local building or fire officials about restrictions and installation inspection requirements in your area.
- Save these instructions for future reference.

DANGER

- This grill and its accessible parts become HOT during use. Take care DO NOT touch HOT surfaces without protective gloves.
- This grill is designed for **OUTDOOR USE ONLY**. If used indoors, toxic fumes will accumulate and cause serious bodily injury or death. Follow these guidelines to prevent this colorless, odorless gas from poisoning you, your family, or others.
- Know the symptoms of carbon monoxide poisoning: headache, dizziness, weakness, nausea, vomiting, sleepiness, and confusion. Carbon monoxide reduces the blood's ability to carry oxygen. Low blood oxygen levels can result in loss of consciousness and death.
- See a doctor if you or others develop cold- or flu-like symptoms while cooking or in the vicinity of this appliance. Carbon monoxide poisoning, which can easily be mistaken for a cold or flu, is often detected too late.
- Alcohol consumption and drug use increase the effects of carbon monoxide poisoning.
- Carbon monoxide is especially toxic to mother and child during pregnancy, infants, the elderly, smokers, and people with blood or circulatory system problems, such as anemia or heart disease.
- Never use gasoline, gasoline-type lantern fuel, kerosene, charcoal lighter fluid, or flammable liquids with this appliance to start or maintain a fire.
- Never store any combustible material close or under the appliance
- Do not leave children or pets unattended near a hot grill.
- Do not attempt to move a hot grill.
- Do not use unless grill is fully assembled and all parts are in place.
- Do not remove ashes until all pellet fuel is completely burned out and fully extinguished.
- Do not use grill in high winds.
- If a flare up occurs, do not use water to put out fire. Turn OFF. Unplug power cord and wait for grill to cool.

ELECTRICAL CAUTION

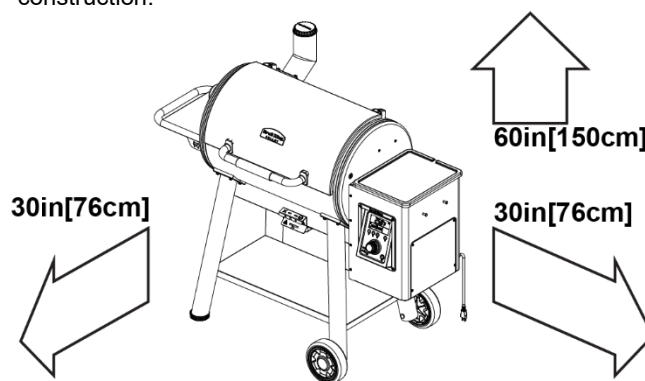
- This appliance uses an external electrical power source and must be electrically grounded in accordance with local codes. In the absence of local codes, the following standards apply: (U.S.A) ANSI/NFPA No. 70-Latest Edition and (Canada) CSA C22.1 Canadian Electrical Code.
- Do not operate unit if the plug receptacle is damaged.
- Do not cut or remove the grounding prong from the plug.
- Keep the electrical supply cord away from any heated surfaces.

PROPOSITION 65 WARNING

Combustion (burning) of this product, produces carbon monoxide and other substances known by the State of California to cause cancer and birth defects or other reproductive harm. For more information go to www.P65warnings.ca.gov/product

A MAJOR CAUSE OF FIRES IS FAILURE TO MAINTAIN REQUIRED CLEARANCES (AIR SPACES) TO COMBUSTIBLE MATERIALS. IT IS OF UTMOST IMPORTANCE THAT THIS PRODUCT BE INSTALLED ONLY IN ACCORDANCE WITH THESE INSTRUCTIONS.

- The appliance must be installed away from combustible surfaces by at least 30inch/76cm from each side, and 30inch/76cm from the rear. There must be 60inch/150cm of space between the top of the appliance and any overhead construction.



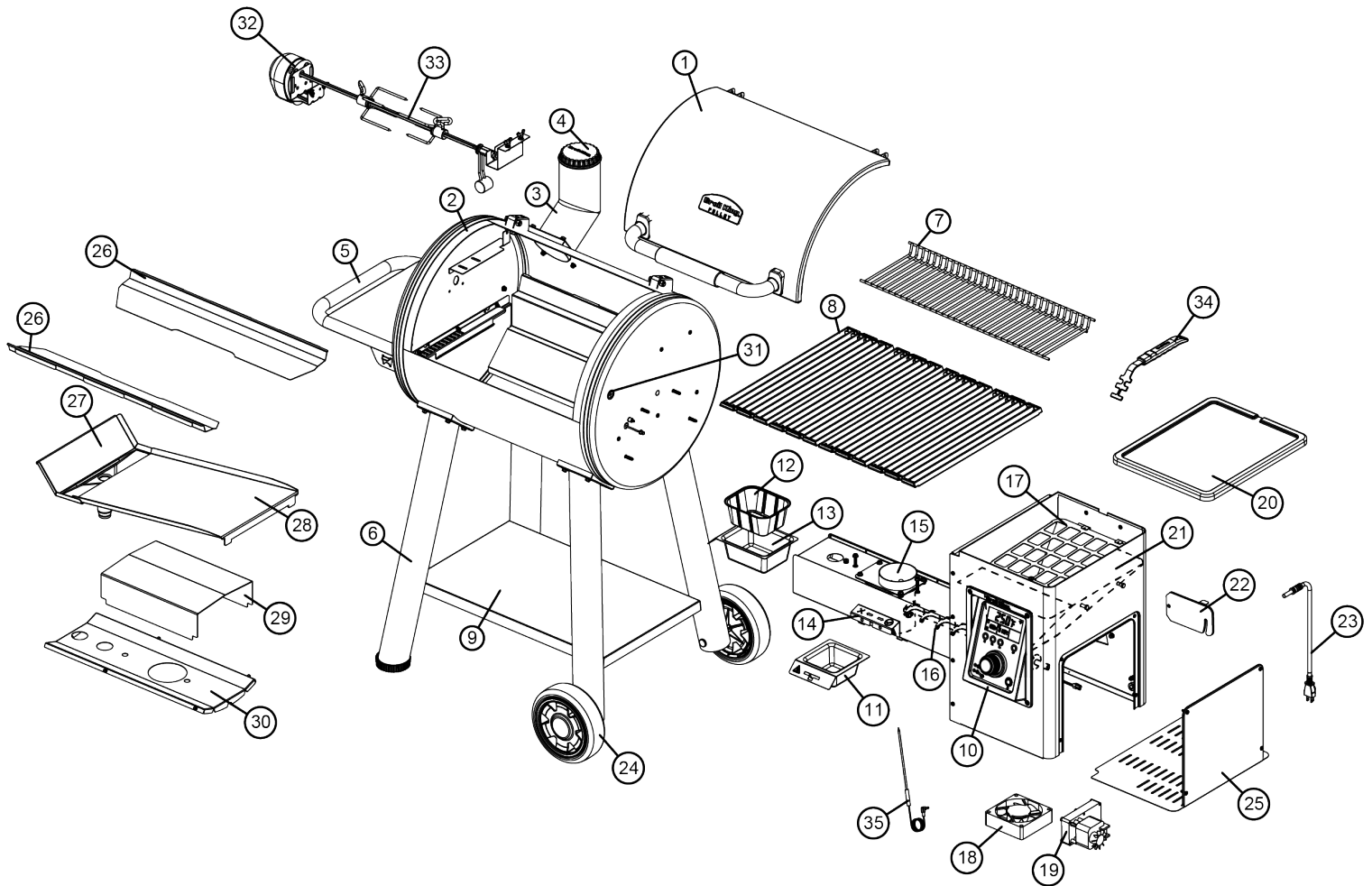
- Never install the appliance underneath plants, trees or foliage.
- **WARNING:** Always install the appliance on a non-combustible surface.
- **WARNING:** Always install the appliance on a level surface and keep the appliance level.
- This appliance is for **OUTDOOR USE ONLY**, do not operate in garage, shed, balcony or other such enclosed areas.
- **DO NOT** restrict the flow of air to the appliance.
- Keep the area surrounding the appliance free of combustible materials, pellets, gasoline, and all flammable liquids and vapors.
- This appliance is not intended to be installed in, or on, recreational vehicles and/or boats.
- Do not use or install accessories that change or modify the pellet hopper, auger, burn pot or exhaust systems.

WARNING

- Preheat grill with lid open for first 10 minutes or until white smoke turns clear.
- Never touch the pellet tray, ash clean out or cooking grate to see if they are hot.
- Use barbecue mitts or hot pads to protect hands while cooking or adjusting top damper.
- Use proper barbecuing tools with long, heat-resistant handles.
- Only use food grade wood pellets. Broil King® Premium Grilling Pellets are recommended
- Always store wood pellets in a dry location, away from heat-producing appliances and other fuel containers.
- To extinguish the pellets, turn off the pellet digital control and close the damper completely. Do not use water.

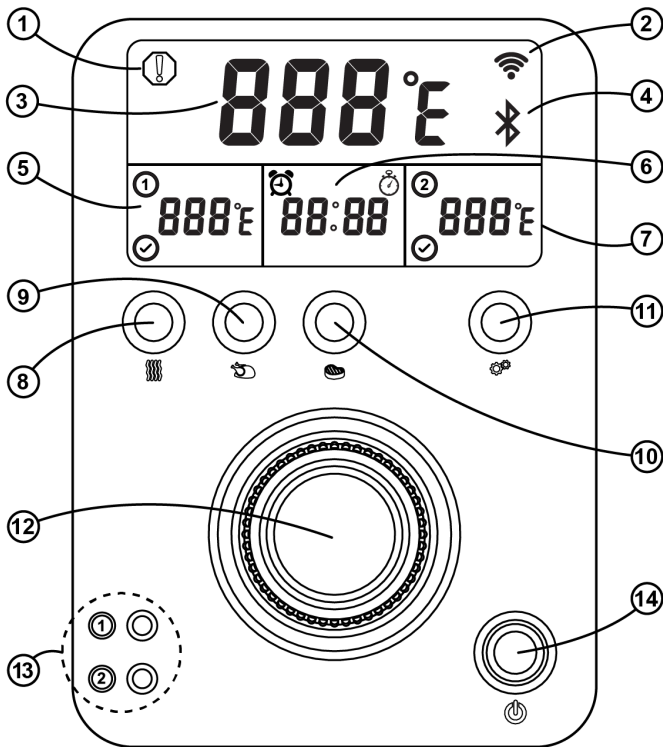
BROIL KING® PELLET GRILL PARTS

- | | |
|--------------------------------|--------------------------------------|
| 1. Lid | 19. Auger Motor |
| 2. Cook Box | 20. Hopper Lid |
| 3. Chimney | 21. Hopper |
| 4. Roto-draft™ Exhaust Damper | 22. Hopper Cleanout |
| 5. Side Shelf | 23. Power Cord |
| 6. Leg | 24. Wheel |
| 7. Warming Rack | 25. Access Door |
| 8. Cooking Grids | 26. Heat Reflector Front / Back |
| 9. Lower Shelf | 27. Grease Management Channel - Side |
| 10. Control Panel | 28. Grease Management Channel - Main |
| 11. Ash Tray | 29. Heat Deflector |
| 12. Grease Tray Aluminum Liner | 30. Heat Shield |
| 13. Grease Tray | 31. Thermometer Pass Through |
| 14. Agitator | 32. Rotisserie Motor |
| 15. Burn Pot | 33. Rotisserie Rod |
| 16. Auger | 34. Broil King® Grid Lifter |
| 17. Grate | 35. Temperature Probe |
| 18. Auger Fan | |



DIGITAL CONTROL

Before using the grill, it is a good idea to familiarize yourself with the control system.



1. WARNING ICON

Indicates an extreme temperature variance which could indicate a fire, flame failure due to low fuel, auger disruption or mechanical failure (open circuit, motor or fan failure). **WHEN ILLUMINATED GO DIRECTLY TO THE APPLIANCE AND UNPLUG FROM POWER SOURCE IF NECESSARY.**

2. WIFI CONNECTED

Illuminated when pellet grill is connected to a WiFi network (2.4ghz only).

3. MAIN TEMPERATURE

Displays current and set temperature in °F / °C

4. BLUETOOTH CONNECTED

Illuminated when pellet grill is connected to smart device.

5. 1ST MEAT PROBE TEMPERATURE*

6. TIMER / STOP WATCH

7. 2ND MEAT PROBE TEMPERATURE*

8. SMOKE BUTTON

For low and slow cooking this program will set the temperature to 225°F / 107°C**

9. ROAST BUTTON

For roasting and baking this program will set the temperature to 350°F / 176°C**

10. GRILL BUTTON

For direct grilling this program will set the temperature to 600°F / 315°C**

11. SETTING BUTTON

Push SETTING button according to the number indicated below to set the following features.

Meat Temperature Probe(s)

- Press SETTING button one time (1) for probe 1, two times (2) for probe 2.
- Once probe is connected the temperature will appear on screen.
- To set internal temperature doneness use control dial to set temperature then push dial once to set.
- Appliance will beep and check mark icon will appear on screen when internal set temperature is reached.
*Note: When internal set temperature is reached, pellet grill temperature will reduce and hold a 225°F(107°C)

Timer

- Press SETTING button three times (3).
- Use control dial to set timer then push dial once to set.

Stop Watch

- Press SETTING button four times (4).
- Push control dial once to start.
- Turn control dial “clockwise” to stop.
- Turn control dial “counter-clockwise” to reset.

Display Brightness

- Press SETTING button five times (5).
- Use control dial to set display brightness, then push dial once to set.

Change Temperature Units °F / °C

- Press and hold SETTING Button for 5 seconds to set pellet grill to Fahrenheit or Celsius.

12. CONTROL DIAL

Adjust temperature in 10 degree increments using control dial by rotating knob clockwise/ counterclockwise. Push control dial once to set.

Adjust temperature in 1 degree increments using the control dial by pushing knob down while rotating clockwise or counterclockwise. Push control dial once to set.

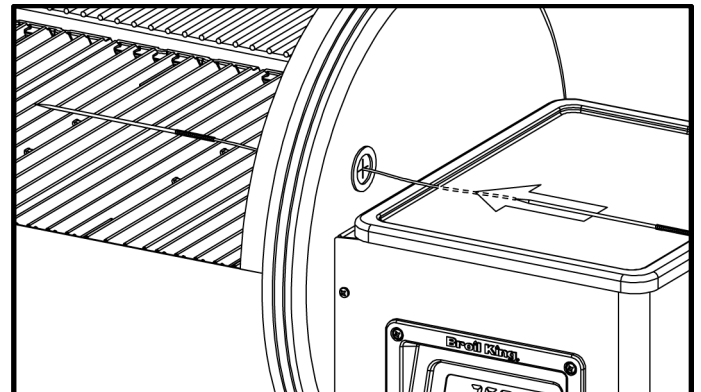
Note: Display will return to current temperature in °F/°C.

13. THERMOMETER PORTS 1 AND 2

14. POWER BUTTON

*Note: Illuminated check mark indicates target internal temperature achieved.

**Note: Expect temperature variance to occur when reaching and holding desired setting.



Thermometer probe passing through the side of the smoker

GETTING STARTED

Remove the cooking grids and grease tray: wash thoroughly in warm, soapy water. Rinse completely and dry with a soft towel, do not air dry, and do not put in dishwasher.

SEASONING CAST IRON COOKING GRIDS:

Coat your cast iron cooking grids with high smoke point cooking oil. Use a paper towel or cloth to coat cover all surfaces.

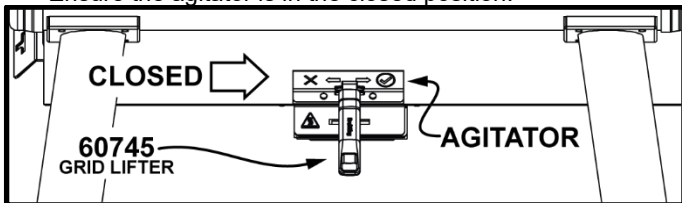
PRIMING THE GREASE SYSTEM

The grease tray on your Broil King® Smoke™ Pellet Grill helps to redirect the cold smoke up towards the heat shield and chimney. To prime the grease tray, add a ½cup [125ml] of water to the empty grease trap. Note: As you use your grill the water will be replaced by grease.

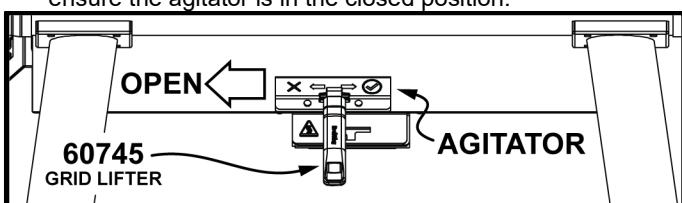
INITIAL 'BURN-IN'

Before you start to cook on your Broil King® Pellet Grill you must burn off the protective residues from manufacturing.

1. Plug the power cord into an appropriate grounded electrical outlet.
2. Inspect pellet hopper and auger prior to adding pellets to ensure there are no foreign objects that could hinder startup. Ensure the agitator is in the closed position.



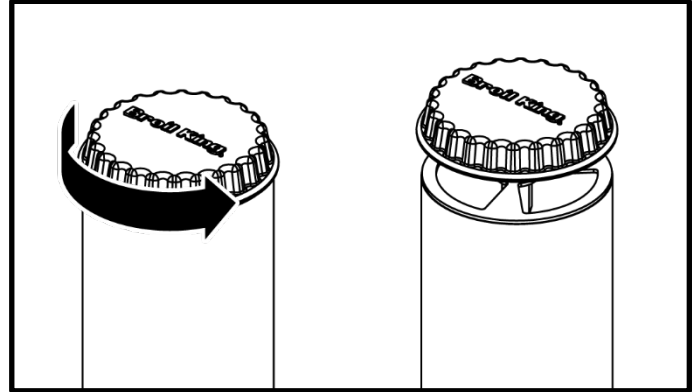
3. Add pellets using Broil King® brand hardwood pellets for best results. Never use heating fuel pellets.
4. Set the Roto-Draft™ exhaust damper to position 5 (wide open) to let the maximum amount of air in to fuel the fire.
5. Open the lid during preheat for 10 min or until white smoke turns clear.
6. Power on the grill to activate the controller. After a few seconds, the grill will go into startup mode.
7. Set temperature to 500°F (260°C). Note: on initial burn in the grill will take longer to heat up as the auger will need to be primed with fuel prior to ignition. When target temperature is reached – burn for an additional 15-20 minutes. This will burn off any of the protective coating from manufacturing and begin the process of smoke curing the internal components of the grill. The more you use your pellet grill, the better the seasoning will be.
8. When the grill is cool, thoroughly season cooking grids by spraying or wiping a high smoke point cooking oil on them. Ensure that the entire surface is generously coated including the corners. For cast iron cooking grids, light seasoning should be done before every use.
9. When cooking is complete, use the trap door located on the back of the pellet hopper to remove any excess fuel and store fuel in a warm dry place so it is ready for your next cookout.
10. Clean the grease tray frequently to reduce the possibility of a grease fire. Please see "Maintenance" for more details.
11. Clean the burn pot using the agitator and remove the ashes from the ash tray frequently to ensure best performance. When you are finished cleaning out the burn pot you must ensure the agitator is in the closed position.



12. Note: your grill will always start with an ignition and preheat cycle and end with a 15-minute shut-down.

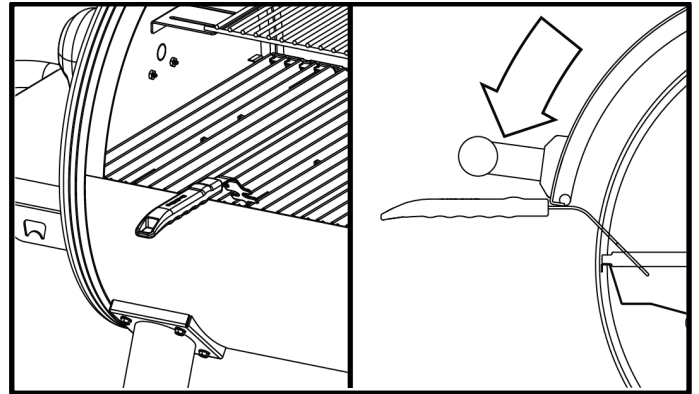
LIGHTING / START-UP

Open the lid of the smoker and ensure the chimney damper is in the open position.



Press the illuminated power button on the grill to activate the controller. After a few seconds, the grill will automatically go into ignition and preheat cycle.

Preheat to desired cooking temperature by using the control dial. Set the desired temperature by pushing in the dial. You will hear a beep and the set temperature will flash for three seconds then return to the actual temperature. If you prefer to use a preset temperature, press the SMOKE, ROAST or GRILL button. The lid must be open during the preheat for the first 10 minutes or until white smoke turns clear. You can use the Broil King® grid lifter (60745) to hold the lid open at a lower position in case of windy or rainy conditions.



COOKING

Once preheat cycle is complete and the desired temperature is reached, load food into the grill and close the lid.

While cooking you may add pellets directly into the pellet hopper as needed.

SHUT-DOWN

Press the illuminated power button on the grill to deactivate the controller. After a few seconds, the grill will automatically go into shutdown cycle (15 minutes). Once grill is completely cool, unplug and remove ash from burn pot using the agitator. Clean the grease tray. Empty pellet hopper using hopper cleanout. For best cooking results store pellets in a cool dry place between cookouts.

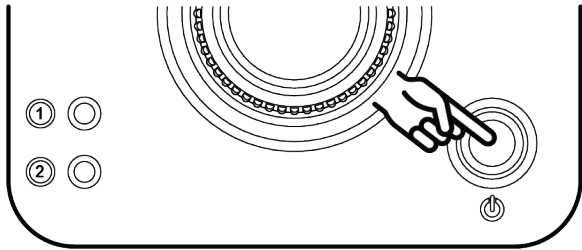
PELLET APP

Your Broil King® Pellet Grill can be controlled from your smart device. Connect your smart device to the Pellet Grill with either Bluetooth or home WIFI network.

SETTING UP THE APP

TURN ON PELLETT GRILL

- Plug the power cord into an appropriate grounded electrical outlet.
- Press the illuminated power button on the grill to activate the controller.



DOWNLOAD AND INSTALL

- On smart device, download the Broil King Pellet Controller APP.



SETUP AND ACCOUNT

- When you launch the app for the first time you will be asked to create an account
- The account provides security for your app and Broil King® Pellet Grill.
- You can also register using your Facebook or Google+ account.
- You will receive an email once your registration process is complete.

ADD ZONE

- After creating an account, your next step is to create a zone. A zone is an area where your grill is located based on your device GPS. Check the address shown on the screen for accuracy. Edit if necessary.
- For example, if you have a grill located at your house, you could name your zone "Home".
- Enter your zone name and then select "Save Zone".

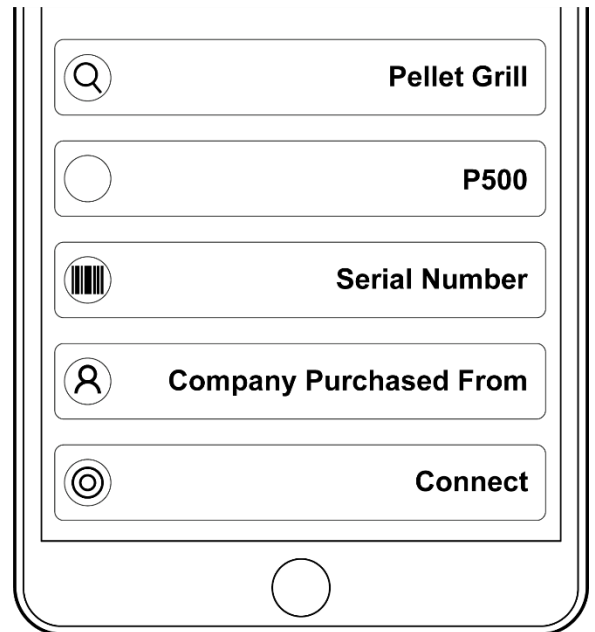
PRIVACY POLICY

- Please read Privacy Policy and select Agree or Disagree.
- To continue using the app you will need to agree to the privacy policy.
- If you select Disagree, you will be re-directed back to the Zone screen.

CONNECTING TO THE GRILL BLUETOOTH

- Once app is set up, it is time to connect to your grill.
- Ensure your smart device Bluetooth feature is turned on.
- Select the zone by touching the zone name.
- After selecting the zone tap the (+) icon in the top right corner to add the grill.
- The app will then scan for your grill.
- Each Broil King® Pellet Grill will have a unique controller code only shown when connecting the grill in the app.

- Enter a name for your grill.
- Enter the serial number.
- Enter the name of the company where you purchased your grill (optional).
- Tap (Connect).
- The grill should beep and display the Bluetooth logo on the grill's controller screen.



CONNECTING TO THE GRILL WIFI

- Have your WiFi router name and password ready.
- Tap the WiFi settings wheel at the bottom right hand corner in the app.



- Enter your WiFi name.
- Enter your WiFi password.
- You can select "Show" to see if the password is correct.
- Tap "Connect" to establish the Wifi connection.
- Once you are connected the Wifi icon will appear on the grill's controller screen.

Notes:

- Only a single user can be connected to the Broil King® Pellet Grill at one time.
- If your smart device moves out of the grill's Bluetooth range, the grill will continue to operate without the app connected. The connection will only switch into WiFi mode if the grill has previously been connected to a WiFi network.
- Manually adjusting the grill will always override app command functions.

***Software Requirements:** IOS® 7 (or above) or Android™ 4.3 (or above)



Broil King Premium Grilling Pellets

The perfect barbecue starts with the right kind of fuel. Broil King® Premium Grilling Pellets are specifically designed to work with the Broil King Pellet Grills. Our pellets are 100% natural and contain only premium wood – no fillers, no oil additives, no binding agents – period. These pellets burn hotter and more efficiently to provide optimal cooking performance and flavour.

CAUTION

Always store wood pellets in a dry location, away from heat-producing appliances and other fuel containers.

63920 - 100% Hickory Pellets

The most iconic BBQ flavour.

Hickory offers a strong smoke taste, often associated with bacon or smoked ham. This robust smoke works well with large cuts of meats. Try it with: Beef, Poultry, Pork, Hearty Vegetables.

Premium Blends

Our source woods are mixed before pelletizing, ensuring that each pellet contains the intended blend. This method allows for more repeatable cooking performance with a consistent burn and smoke flavor, compared to a random mix of single species pellets which can offer inconsistent flavors and cooking performance. Our premium pellets are a key ingredient to your next cook out. Check out these pellet varieties:

63930 - Smoke Master's Pellet Blend

Maple / Hickory / Cherry

A selection of pellets popular with competition BBQ champions. This blend offers hints of sweetness combined with a full-bodied hickory smoke. Adds a well-balanced smoke taste to grilled foods. Try it with: Beef, Poultry, Pork.

63939 - Griller's Select Pellet Blend

Maple / Oak / Cherry

This pellet blend offers a lighter and slightly sweet smoke, designed to not over-power natural flavors. A great choice as an everyday grilling pellet. Try it with: Beef, Poultry, Pork, Fish, Vegetables, Pizza.

Note: While using non Broil King® branded food grade wood grilling pellets will not void your warranty, the Broil King® Pellet Grill is specifically calibrated to use Broil King® Premium Grilling Pellets. Using other brands of grill pellets can affect temperature and timing.

Smoking: Less than 275°F (135°C)

This classic form of barbecue involves cooking larger cuts of meat at low temperatures (less than 275°F 135°C) for a relatively long time (often 4+ hours). Broil King® premium grilling pellets will infuse slow cooked meats and other items with smoky barbecue flavor and yields incredibly tender results.

Roasting: 350°F to 400°F (176°C to 205°C)

Also known as indirect grilling, this is similar setup to smoking; smoke roasting is an accelerated version of the same principles. It works well for more conventional roasts, chickens and items that are frequently oven roasted. The combination of smoke and cooking time creates great flavor in a shorter time than true smoking. Rotisserie convection cooking in conjunction with roasting temperatures creates incredible results (see page 08).

Direct Grilling: 400°F (205°C) or more

This method is the traditional backyard cook-out or barbecue. Ideal for smaller items – steaks, chops, burgers, vegetables. The high heat sears the exterior while cooking the interior.

For more information, visit www.broilkingbbq.com

MEAT TEMPERATURE GUIDE			
	RARE	MED	WELL
BEEF / LAMB / VEAL	130°F(55°C)	146°F(63°C)	160°F(70°C)
PORK		150°F(65°C)	170°F(77°C)
POULTRY			170°F(77°C)
HAMBURGER			160°F(70°C)





FOR BEST RESULTS, USE A MEAT THERMOMETER

THE PERFECT STEAK GRILLING GUIDE

PLACE STEAK ON ANGLE ON HOT GRIDS. FLIP THE STEAK AS SHOWN BELOW. TURN AND FLIP THE STEAK AGAIN. FINALLY, FLIP THE STEAK AGAIN.

Meat Thickness		Heat Setting	Time Per Side				Total Time
1 1/2"	1"		A	B	C	D	
	Rare	High	1 3/4	1 3/4	1 3/4	1 3/4	7 minutes
Rare	Medium/Rare	Med/High	2	2	2	2	8 minutes
Medium/Rare	Medium	Med/High	2 1/4	2 1/4	2 1/4	2 1/4	9 minutes
Medium	Well	Med	2 1/2	2 1/2	2 1/2	2 1/2	10 minutes
Well		Med	3	3	3	3	12 minutes

COOKING TIMES AND TEMPERATURES

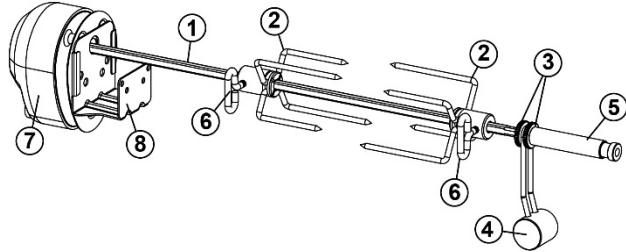
	DESCRIPTION	SETTING	COOK TEMP	COOK TIME	FINAL TEMP
	Short Ribs	Smoke	225°F (107°C)	5 hours	190°F(88°C)
	Tenderloin 3 to 4 lbs. (1.36 to 1.81 kg)			2.5 to 3 hours	130°F(54°C) for Medium Rare
	Brisket (Pulled) 8 to 12 lbs. (3.63 to 5.44 kg)			1.5 hrs per lb (3.3 hrs per kg)	205°F(96°C)
	Brisket (Thick Sliced) 8 to 12 lbs. (3.63 to 5.44 kg)			1.5 hrs per lb (3.3 hrs per kg)	195°F(90°C)
	Brisket (Thin Sliced) 8 to 12 lbs. (3.63 to 5.44 kg)			1.5 hrs per lb (3.3 hrs per kg)	185°F(85°C)
	Prime Rib Roast	Roast	350°F (176°C)	15 min per lb (33 min per kg)	130°F(54°C) for Medium Rare
	Sirloin Tip Roasts			8 Hours	130°F(54°C) for Medium Rare
	Steak*	Grill	600°F (315°C)		130°F(54°C) for Medium Rare
	Hamburgers*				160°F(71°C)
	Chicken (Quarters)	Roast	350°F (176°C)	1 to 2 hours	170°F(77°C)
	Chicken (Thighs)			1.5 hours	170°F(77°C)
	Chicken (Whole) 2.5 to 3.5 lbs. (1.13 to 1.58 kg)			2 to 2.5 hours	170°F(77°C)
	Chicken (Whole) 3.5 to 4.5 lbs. (1.59 to 2.04 kg)			2 to 3 hours	170°F(77°C)
	Chicken (Wings)			1.25 hours	170°F(77°C)
	Chicken Breast 5 to 8 oz. (0.14 to 0.23 kg)			1 to 2 hours	170°F(77°C)
	Turkey (Legs)			2 to 3 hours	170°F(77°C)
	Turkey (Whole) 10 to 12 lbs. (4.54 to 5.44 kg)			2.5 to 3 hours	170°F(77°C)
				Fish (Whole) 4 to 6 lbs. (1.81 to 2.72 kg)	Smoke
Lobster (Steamed)		15 minutes/lb	To Taste		
Shrimp (Steamed)		15 minutes/lb	To Taste		
	Ribs (Baby Back) 1.5 to 2.5 lbs. (2.72 to 1.13 kg)	Smoke	225°F (107°C)	5 hours	160°F(71°C)
	Ribs (Spare Ribs) 2.5 to 3.5 lbs. (1.13 to 1.63 kg)			5 to 7 hours	160°F(71°C)
	Pork Butt (Pulled) 6 to 8 lbs. (2.72 to 3.63 kg)			1.5 hrs per lb (3.3 hrs per kg)	205°F(96°C)
	Pork Butt (Sliced) 6 to 8 lbs. (2.72 to 3.63 kg)			1.5 hrs per lb (3.3 hrs per kg)	170°F(77°C)
	Pork Chops			1.5 hrs per lb (3.3 hrs per kg)	160°F(71°C)
	Pork Crown Roast 8 to 10 lbs. (3.63 to 4.54 kg)			1.5 hrs per lb (3.3 hrs per kg)	155°F to 165°F (68°C to 74°C)
	Pork Loin 8 to 10 lbs. (3.63 to 4.54 kg)			4 to 6 hours	160°F(71°C)
	Pork Sausage 1.5 to 2.5 inch (3.8 to 6.4 cm) Dia.			1 to 3 hours	165°F(74°C)
	Pork Shoulder (Pulled) 6 to 10 lbs. (2.72 to 4.54 kg)			8 to 12 hours	205°F(96°C)
	Pork Shoulder (Sliced) 6 to 10 lbs. (2.72 to 4.54 kg)			5 to 8 hours	175°F(79°C)
	Pork Tenderloin 1.5 to 2.5 lbs. (2.72 to 1.13 kg)			2.5 to 3 hours	160°F(71°C)
	Ham (Bone In)			1.5 hrs per lb (3.3 hrs per kg)	160°F(71°C)

COOKING TECHNIQUES

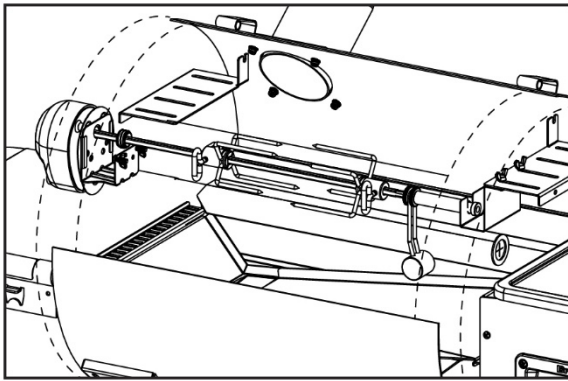
ROTISSERIE CONVECTION COOKING

This method is ideal for cooking large cuts of meat such as roasts or poultry. The food is cooked by hot air circulating around the meat.

- The rotisserie can accommodate up to 15lb (7kg) of meat with the limiting factor of rotating clearance. For best results the meat should be centered on the center line of spit to eliminate an out-of-balance condition.
- Fasten the meat securely on the spit prior to placing it on the pellet grill. For poultry, tie the wings and legs in tightly.



- | | |
|-----------------------|-----------------------|
| 1. Rotisserie Rod | 2. Rotisserie Fork |
| 3. Rotisserie Washer | 4. Rotisserie Balance |
| 5. Rotisserie Bushing | 6. Screw Clamp |
| 7. Rotisserie Motor | 8. Rotisserie Bracket |



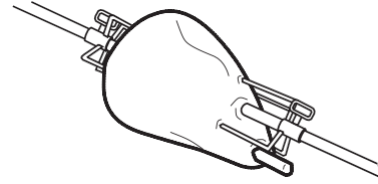
ROTISSERIE BALANCE

1. Loosen the rod bushing to allow the balance to turn freely.
2. Set the rotisserie rod in the support slots. Let the heaviest side of the meat rotate to the bottom.
3. Adjust the rotisserie balance to the top of the rod, opposite the heaviest side of the meat.
4. Tighten the rod bushing. Periodically, check to see if the meat turns smoothly while cooking. Adjust the rotisserie balance as necessary.

CAUTION:

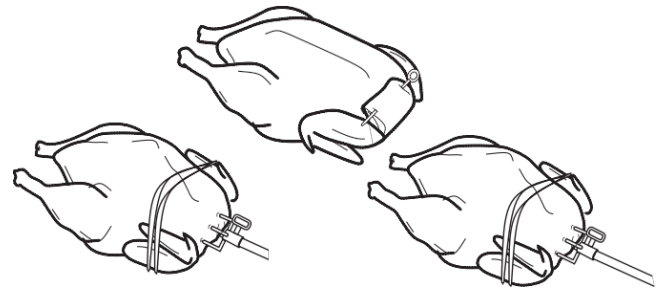
Use oven mitt when adjusting rotisserie balance.

USING A SPIT – LEG OF LAMB



1. Have 3" of bone sawed from small end of leg.
2. Leave meat around bone intact to form a flap.
3. Put a spit fork on rod.
4. Fold flap up and run rod through flap and leg.
5. Put second fork on rod and insert forks in each end of leg. Test for balance. Tighten screws.

USING A SPIT – POULTRY



1. With breast down, bring neck skin up over cavity.
2. Turn under edges of skin; skewer to back skin.
3. Loop twine around skewer and tie.
4. Turn breast side up; tie or skewer wings to body.
5. Put a spit fork on rod. Insert rod in neck skin parallel to backbone and exit just above tail.
6. Put second fork on rod and insert forks in breast and tail. Test for balance. Tighten screws.
7. Tie tail to rod with twine. Cross legs; tie to tail.

RECIPES

BBQ RUB*

- 2 tablespoons brown sugar
- 1 teaspoon kosher salt
- 1 teaspoon freshly ground black pepper
- 1 tablespoon cumin
- 2 teaspoons dry mustard
- 2 teaspoons paprika
- 2 tablespoons chili powder
- 1 teaspoon onion salt
- 1 teaspoon celery salt
- 1 teaspoon garlic powder
- 1 tablespoon oregano

*Try the Broil King® The Perfect BBQ Spice Rub™ (#50975) or The Perfect KC BBQ Rub™ (#50978) for fantastic results.

SMOKED CHICKEN

- Preheat pellet grill using the “Smoke” setting (225°F/107°C).
- 1 whole chicken, separated, or chicken pieces, thighs, wings, drumsticks.
- Rub chicken pieces with BBQ rub, let stand 30 minutes
- Arrange chicken on cooking grids.
- Cook 1 hours.
- Increase heat in pellet grill using the ROAST setting (350°F/176°C).
- Cook 1-2hrs until internal temperature reaches (165°F/74°C).
- Cover, let stand 10 minutes.
- Serve and enjoy.

RIBS

- Preheat pellet grill using the SMOKE setting (225°F/107°C).
- 4 racks pork ribs.
- Peel membrane from ribs.
- Season liberally with barbecue rub.
- Add water pan with apple juice to smoker (if desired)
- Arrange ribs on cooking grids.
- Cook 4 hours or until desired doneness is achieved.
- If desired, remove ribs from grill, wrap in foil and rest for 30 minutes. Increase heat in pellet grill to (350°F/ 176°C).
- Place ribs back on the grill and apply barbecue sauce at this time and finish 10 minutes.
- Remove from grill, cover and let stand 10 minutes
- Serve and enjoy.

PULLED PORK

- Preheat pellet grill using the “Smoke” setting (225°F/107°C)
- 4 – 5 lb. Pork Shoulder (Smaller cuts will often be labelled Boston Butt or picnic shoulder)
- Season liberally with BBQ rub.
- Place pork shoulder on cooking grids
- Cook 1 hour per pound to an internal temperature of at least (185°F/ 85°C).
- Remove from grill, wrap with foil, let stand 30 minutes
- Pull apart using Broil King® Meat Claws (#64070).
- Apply sauce as desired.



THE PERFECT STEAK GRILLING GUIDE



MARINADE INGREDIENTS*

- 4 steaks (preferably New York Strip), 1” thick
- 2 cloves garlic minced or pressed
- 2 tablespoons of Worcestershire sauce
- 2 tablespoons balsamic vinegar
- 2 teaspoons Dijon mustard
- 2 tablespoons soy sauce
- 2 tablespoons olive oil

*Try the Broil King® The Perfect Steak™ marinade or The Perfect BBQ™ (#50990) sauce for fantastic results.

PREPARING THE STEAKS

Trim excess fat from the steaks. In a heavy, resealable plastic bag combine the remaining ingredients. Marinate the steaks for 1 hour at room temperature or up to 24 hours in the refrigerator. If refrigerating, bring steaks close to room temperature 1 hour before grilling for more even cooking.

PERFECT GRILLING TIPS

- Brush grids with a high smoke point oil and preheat the pellet grill using the GRILL setting (600°F/315°C).
- A. Place food on the barbecue at a 45° angle and cook according to the timing on the cooking charts found on page 7.
- B. Turn the steak over grilling on the same 45° angle.
- C. Turn the steak over and grill on the opposite 45° angle.
- D. Finally, turn the steak over and grill on the same 45° angle. (see the perfect steak grilling guide on page 6)

THE PERFECT STEAK GRILLING GUIDE

PLACE STEAK ON ANGLE ON HOT GRIDS.

FLIP THE STEAK AS SHOWN BELOW.

TURN AND FLIP THE STEAK AGAIN.

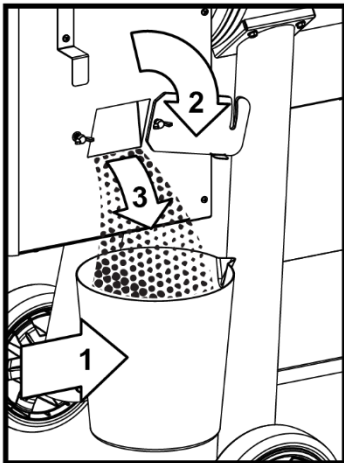
FINALLY, FLIP THE STEAK AGAIN.

Meat Thickness		Heat Setting	Time Per Side				Total Time
1 1/2"	1"		A	B	C	D	
	Rare	High	1 3/4	1 3/4	1 3/4	1 3/4	7 minutes
Rare	Medium/Rare	Med/High	2	2	2	2	8 minutes
Medium/Rare	Medium	Med/High	2 1/4	2 1/4	2 1/4	2 1/4	9 minutes
Medium	Well	Med	2 1/2	2 1/2	2 1/2	2 1/2	10 minutes
Well		Med	3	3	3	3	12 minutes

MAINTENANCE

PELLET HOPPER CLEAN OUT

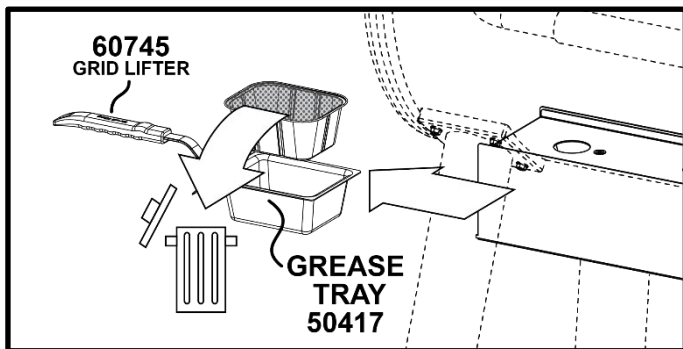
Your Broil King® Pellet Grill has a hopper clean out system designed for easy removal of excess fuel to quickly change pellet flavors or clean out remaining pellets after use.



1. Place bucket under the trap door.
2. Open trap door.
3. Collect pellets.
4. Secure trap door in closed position.

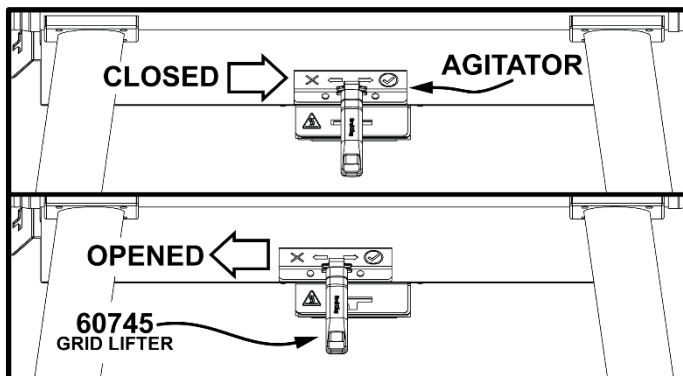
GREASE CLEAN OUT

Grease fires are caused by not properly maintaining the grill and failing to clean the grease management system on a consistent basis. In the unlikely event of a grease fire while cooking, turn off / unplug the appliance and keep the lid closed until the fire is completely out. Never keep the lid open during a grease fire.

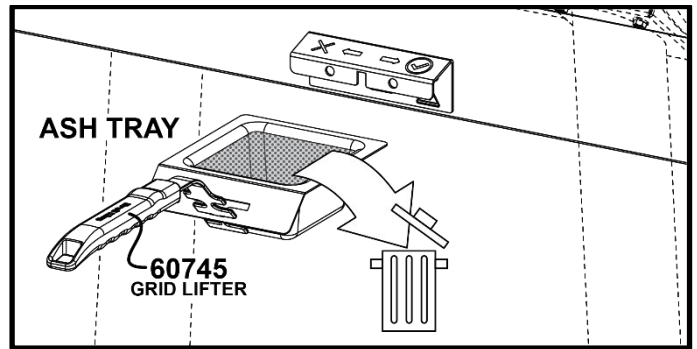


ASH CLEAN OUT

After each cook out wait for the grill to completely cool before removing and emptying the Ash Tray. First step is to open the agitator to the unlock position indicated on the cover. You can slide the Agitator between lock and unlock to help ash fall into the tray. Only dispose ashes which are completely cool and extinguished.



Return the Agitator to the closed position before using the grill again.



DISPOSAL OF ASHES

Ashes should be placed in a metal container with a tight-fitting lid. The closed container of ashes should be placed on a noncombustible floor or on the ground, well away from all combustible materials, pending final disposal. If the ashes are disposed of by burial in soil or otherwise locally dispersed, they should be retained in the closed container until all cinders have thoroughly cooled."

CARE AND MAINTENANCE

The Broil King® Smoke™ Pellet Grill will give you many years of great service with minimal care. The seasoning process will help preserve the internal steel components. Use a stainless steel brush to clean cooking grids and components that are soiled.

It may be necessary to clean and re-season your cooking grids. Brush them thoroughly with a Broil King® (#64014) stainless steel grill brush to remove any debris and apply a thin layer of a high smoke point oil. Then, place the cooking grids into your grill, and cook at 400°F (205°C) for 1 hour. Repeat as desired. This coating of oil will protect your cooking grids and provide years of trouble free use.

Clean the exterior using warm, soapy water.

To clean the interior, use a Broil King® (#65641) wire-bristle grill brush to remove any debris from the cook box. The layer of oils that accumulates inside the smoker – the seasoning – is protective and does not need to be scrubbed clean with any frequency.

Always keep your Broil King® Pellet Grill covered when not in use - use Broil King® grill cover #67069 for the Regal™ Pellet 500 (Model #496051) or grill cover #67065 for the Regal™ Pellet 400 (Model #495051)



WARRANTY

WARRANTY & CUSTOMER SERVICE

The Onward Manufacturing Company Ltd. (OMC) Warranty is effective from date of purchase and is limited to the repair or replacement of parts at no charge which prove to be defective under normal domestic use.

In Canada and the United States replacement is FOB Factory.

In all other countries replacement is FOB OMC Distributor. (Consult your dealer for name of OMC Distributor.)

All other costs are the responsibility of the owner.

This warranty is extended only to the original purchaser as indicated on the warranty registration and applies only to products sold at retail and only when used in country where purchased.

WHAT IS COVERED:

High Heat Coated Cook Box	5 years
Stainless Steel Grids	5 years
Cast Iron Grids	3 years
Digital Controller and components	3 years
Remaining parts & paint	3 years

WHAT IS NOT COVERED:

- Any failures or operating difficulties due to accident, abuse, misuse, alteration, misapplication, vandalism, improper installation or improper maintenance or service, or failure to perform normal and routine maintenance as set out in the owner's manual.
- Deterioration or damage due to severe weather conditions such as hail, hurricanes, earthquakes or tornadoes, discoloration due to exposure to chemicals either directly or in the atmosphere.
- Shipping or transportation costs.
- Removal or re-installation costs.
- Labor costs for installation and repair.
- Cost of service calls.
- Liability for indirect or consequential damages.

REPLACEMENT PARTS:

"Genuine OMC Replacement Parts" must always be used for replacement. Use of any other parts will automatically nullify the above warranty.

WARRANTY CLAIMS:

All warranty is handled directly by OMC. Parts must be returned to OMC Warranty Department, shipping charges prepaid, accompanied by model #, Serial #, and if your grill is not registered, proof of purchase (copy of sales slip or invoice). If inspection confirms the defect, OMC will repair or replace such part in accordance with the terms of the warranty. On receipt of letter or fax (not by phone) OMC may, at its option, not require part or parts to be returned.

CONTACT NORTH AMERICA:

1-800-265-2150

www.broilkingbbq.com

info@omcbbq.com

585 Kumpf Dr.

Waterloo, Ontario, Canada

N2V 1K3

OUTSIDE NORTH AMERICA:

The above warranty is administered by the OMC distributor in your country. Contact your dealer for the name of your OMC distributor.

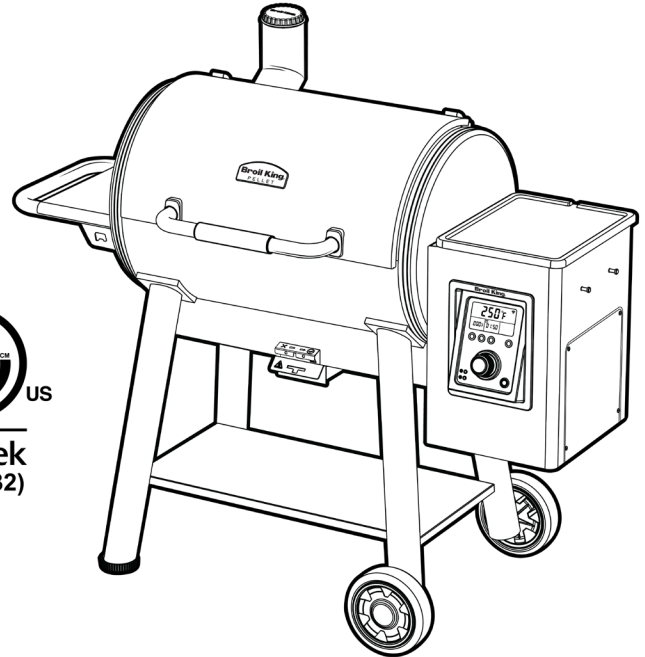
Broil King®

GUIDE DE L'UTILISATEUR

POUR UTILISATION AVEC LE
Broil King® Regal Pellet 500 / 400
Pour modèle(s) 496051, 495051
CERTIFICAT TO UL SUBJECT 2728
CERTIFICAT TO ULC/ORD C2728

TABLE DES MATIÈRES

INTRODUCTION	14
SÉCURITÉ.....	14
PIÈCES DU GRIL À GRANULES	15
COMMANDE NUMÉRIQUE.....	16
PRÉPARATION.....	17
APPLI DE GRIL À GRANULES	18
COMBUSTIBLE À GRANULES	19
TECHNIQUES DE CUISSON	19
RECETTES.....	22
ENTRETIEN.....	23
GARANTIE	24
MANUAL DEL USUARIO.....	25



VEUILLEZ INSCRIRE LE NUMÉRO DE MODÈLE, LE NUMÉRO DE SÉRIE ET LA DATE D'ACHAT ICI.

Ces renseignements se trouvent sur une étiquette d'avertissement noire et argent d'OMC à l'arrière ou sur le côté de votre grill.

Numéro de modèle																			
Numéro de série																			
Date d'achat																			

REMARQUE À L'INSTALLATEUR: CES INSTRUCTIONS DOIT ÊTRE GAUCHE AVEC LE CONSOMMATEUR.

VEUILLEZ LIRE CE GUIDE DE L'UTILISATEUR DANS SON INTÉGRALITÉ AVANT L'INSTALLATION ET L'UTILISATION DE CET APPAREIL DE BRÛLAGE DE GRANULES. LE NON-RESPECT DE CES DIRECTIVES POURRAIT ENTRAÎNER DES DOMMAGES MATÉRIEAUX, DES BLESSURES PHYSIQUE, OU LA MORT. VEUILLEZ CONTACTER LES AUTORITÉS DU BÂTIMENT OU LE SERVICE D'INCENDIE POUR DES RENSEIGNEMENTS SUR LES RESTRICTIONS ET LES EXIGENCES SUR LES INSPECTIONS D'INSTALLATION DANS VOTRE RÉGION. CONSERVEZ CE MANUEL POUR RÉFÉRENCE FUTURE

1-800-265-2150
info@omcbbq.com

Onward
MANUFACTURING COMPANY
SINCE 1906
585 KUMPF DRIVE LIMITED
WATERLOO, ONTARIO, CANADA

FR
40094-E50 REV M 12/20

Votre gril à granules de Broil King^{MD} est un appareil sécuritaire et pratique lorsqu'il est correctement assemblé et utilisé. Comme avec tous les produits à granules et essence, certaines mesures de précaution doivent être respectées. Le non-respect de ces mesures de sécurité peut mener à des blessures graves ou des dommages. En cas de questions concernant l'assemblage ou l'opération, veuillez consulter votre détaillant ou notre service à la clientèle direct au 1-800-265-2150 / info@omcbbq.com

- Veuillez lire ce manuel dans son intégralité avant d'installer et d'utiliser cet appareil à granules. Le non-respect de ces consignes pourrait entraîner des dommages matériels ou des blessures corporelles, voire la mort.
- Contactez les autorités locales en matière de feu ou de construction pour des renseignements sur les restrictions et les exigences d'inspection dans votre région.
- Veuillez conserver ces instructions pour référence ultérieure.

DANGER

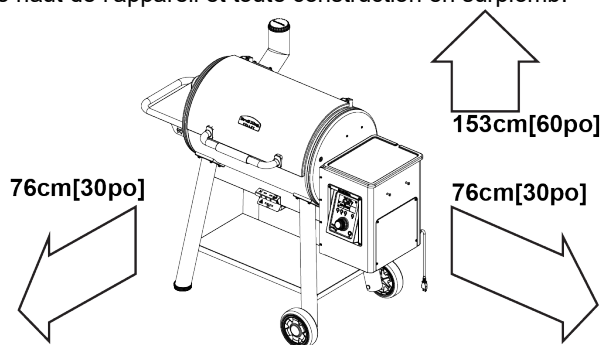
- Ce gril est conçu pour un **USAGE À L'EXTÉRIEUR UNIQUEMENT**. S'il est utilisé à l'intérieur, des émanations toxiques peuvent s'accumuler et causer des blessures graves ou la mort. Veuillez suivre ces directives pour prévenir l'empoisonnement de vous, votre famille ou autrui par ce gaz incolore et inodore.
- Connaissiez les symptômes d'intoxication au monoxyde de carbone : maux de tête, étourdissements, faiblesse, nausées, vomissements, somnolence et confusion. Le monoxyde de carbone réduit la capacité du sang à transporter l'oxygène. Un faible niveau d'oxygène sanguin peut entraîner une perte de conscience et la mort.
- Consultez un médecin si vous ou d'autres développez des symptômes de rhume ou de grippe pendant la cuisson ou à proximité de cet appareil. L'intoxication au monoxyde de carbone, qui peut facilement être confondue avec un rhume ou une grippe, est souvent détecté trop tard.
- La consommation d'alcool et de drogues augmente les effets de l'intoxication au monoxyde de carbone.
- Le monoxyde de carbone est particulièrement toxique pour la mère et l'enfant pendant la grossesse, les nourrissons, les personnes âgées, les fumeurs et les personnes ayant des problèmes de sang ou du système circulatoire, telles que l'anémie ou une maladie cardiaque.
- Ne jamais utiliser de l'essence, de l'essence de lanterne, du kérosène, du liquide d'allumage pour charbon de bois ou des liquides inflammables avec cet appareil pour lancer ou entretenir un feu.
- Ne jamais entreposer toute matière combustible proche ou sous l'appareil
- Ne pas laisser les enfants ou les animaux de compagnie sans surveillance près d'un gril chaud.
- Ne pas tenter de déplacer un gril chaud.
- Ne pas l'utiliser à moins que le gril soit entièrement assemblé, et que toutes les pièces soient en place.
- Ne pas enlever les cendres avant que toutes les granules soient complètement brûlés et éteints.
- Ne pas utiliser le gril aux grands vents.
- Si une flambée soudaine survient, ne pas utiliser de l'eau pour éteindre le feu. Éteindre le gril, puis débrancher le cordon d'alimentation, et attendre que le gril refroidisse.

AVERTISSEMENT À ÉLECTRICITÉ

- Cet appareil utilise une source d'alimentation électrique, et il doit être mis à la terre électriquement conformément aux codes locaux. En l'absence de code local, les normes suivantes s'appliqueront : (É.-U.) ANSI/NFPA n° 70- dernière édition et (Canada) le code électrique canadien CSA C22.1.
- Ne pas utiliser l'appareil si sa fiche est endommagée.
- Ne pas couper ni retirer la broche de mise à la terre de sa fiche.
- Garder le cordon d'alimentation électrique éloigné de toute surface chauffée.

LES PRINCIPALES CAUSES DES INCENDIES SONT LE DÉFAUT DE MAINTENIR LES DÉGAGEMENTS REQUIS (ESPACES D'AIR) AUX MATÉRIEAUX COMBUSTIBLES. IL EST PRIMORDIAL QUE CE PRODUIT SOIT INSTALLÉ EN CONFORMITÉ AVEC CES INSTRUCTIONS.

- L'appareil doit être installé loin des surfaces combustibles par au moins 76cm/30pouces de chaque côté et 76cm/30pouces à l'arrière. Il doit y avoir des 153 cm/60pouces d'espace entre le haut de l'appareil et toute construction en surplomb.



- N'installez jamais l'appareil sous les plantes, les arbres et le feuillage.
- **AVERTISSEMENT** : Toujours installer l'appareil sur une surface non combustible.
- **AVERTISSEMENT** : Toujours installer l'appareil sur une surface plane et maintenir le niveau de l'appareil.
- Cet appareil est conçu pour **USAGE EXTÉRIEUR SEULEMENT**, ne pas utiliser dans un garage, cabanon, balcon ou un autre endroit clos.
- **NE PAS** limiter pas le débit d'air de l'appareil.
- Gardez la zone entourant l'appareil libre de matériaux combustibles, granules, essence et tout liquide inflammable et les vapeurs.
- Cet appareil n'est pas prévu pour être installé dans ou sur les véhicules récréatifs et / ou les bateaux.
- Ne pas utiliser ou installer des accessoires qui changent ou modifient la trémie à granules, la tarière, le pot de combustion ou les systèmes d'évacuation.

AVERTISSEMENT

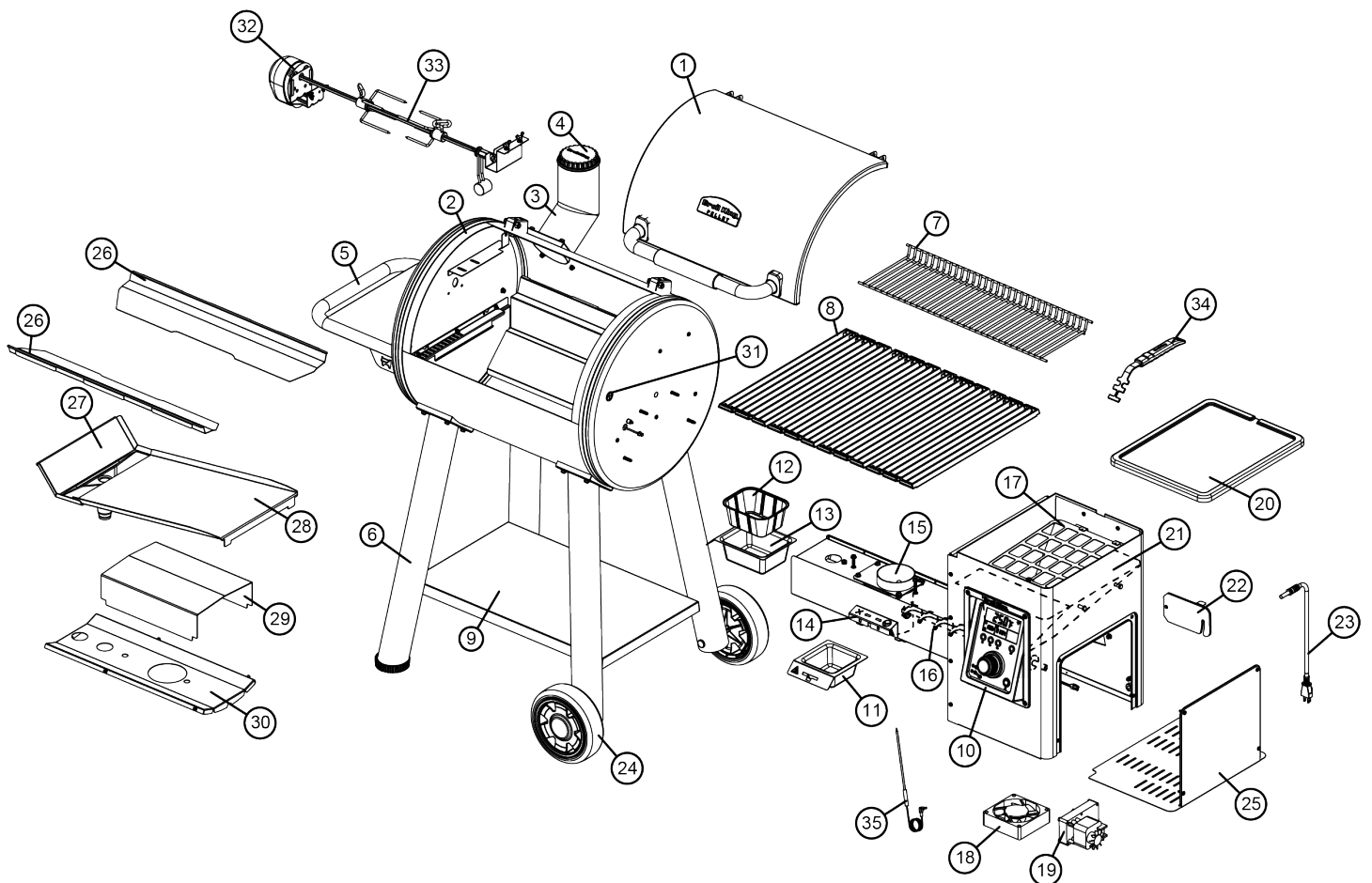
- Préchauffer le gril avec le couvercle ouvert pendant 10 minutes ou jusqu'à ce que la fumée soit dégagée.
- Ne jamais toucher le plateau à granules, la plaque de nettoyage des cendres ou la grille de cuisson pour vérifier s'ils sont chauds.
- Utiliser des mitaines pour la grillade pour protéger vos mains lors de la cuisson ou de l'ajustement du registre supérieur.
- Utiliser des outils adéquats pour la grillade, munis de poignées longues et résistantes à la chaleur.
- Utiliser uniquement des granules de qualité alimentaire. Il est recommandé d'utiliser des granules à grillade Premium de Broil King^{MD}
- Toujours ranger les granules de bois dans un endroit sec, loin des appareils produisant de la chaleur et d'autres contenants d'essence.
- Éteignez les granules via la commande numérique, puis fermez complètement le registre. Ne pas utiliser d'eau.

AVERTISSEMENT - PROPOSITION 65

La combustion (le brûlage) de ce produit crée du monoxyde de carbone et d'autres substances reconnues par l'État de Californie pour causer le cancer et des anomalies congénitales, ou d'autres problèmes de reproduction. Pour plus d'informations, voir à l'adresse www.P65Warnings.ca.gov/product

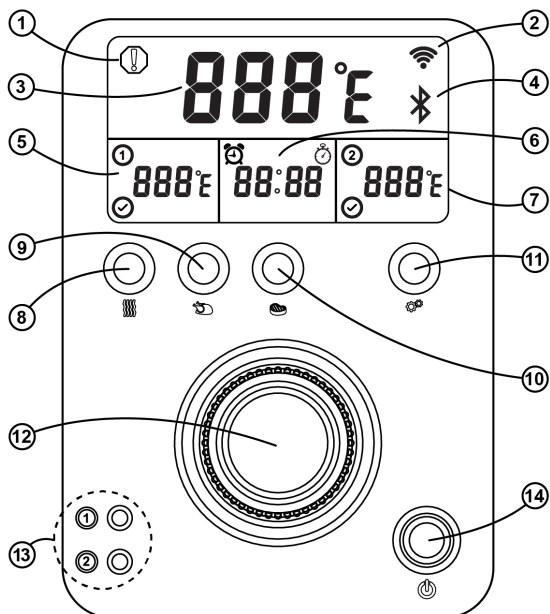
PIÈCES DU GRIL À GRANULES DE BROIL KING^{MD}

- | | |
|---|--|
| 1. Couvercle | 19. Moteur à vis |
| 2. Four | 20. Couvercle de trémie |
| 3. Cheminée | 21. Trémie |
| 4. Registre d'évacuation Roto Draft ^{MC} | 22. Bouchon de vidange de trémie |
| 5. Tablette latérale | 23. Cordon d'alimentation |
| 6. Patte | 24. Roue |
| 7. Grille de réchaud | 25. Porte D'accès |
| 8. Grilles de cuisson | 26. Réflecteur de chaleur avant / arrière |
| 9. Tablette inférieure | 27. Canal de gestion de la graisse - Côté |
| 10. Panneau de commande | 28. Canal de gestion de la graisse - Principal |
| 11. Plateau à cendres | 29. Déflecteur d'air |
| 12. Doublure de plateau de graisse en aluminium | 30. Bouclier thermique |
| 13. Plateau d'égouttement | 31. Sonde de thermomètre |
| 14. Agitateur | 32. Moteur du tournebroche |
| 15. Marmite de brûlage | 33. Broche de rôtissoire |
| 16. Vis sans fin | 34. Lève-grille Broil King ^{MD} |
| 17. Grille | 35. Sonde de Température |
| 18. Ventilateur à vis | |



DIGITAL CONTROL

Avant d'utiliser le gril, c'est une bonne idée de vous familiariser avec le système de commande.



1. ICÔNE D'AVERTISSEMENT

Indique une variance de température extrême, ce qui pourrait indiquer un incendie, panne de flamme en raison d'un bas niveau de carburant, un dérangement de la fraise ou une défaillance mécanique (défaillance du circuit ouvert, moteur ou ventilateur).

LORSQUE ALLUMÉ ALLER DIRECTEMENT À L'APPAREIL ET DÉBRANCHEZ-LE DE LA SOURCE D'ALIMENTATION SI NÉCESSAIRE.

2. CONNECTÉ AU WIFI

Illuminé lorsque le gril à granules est connecté à un réseau WiFi (2,4 GHz seulement).

3. TEMPÉRATURE PRINCIPALE

Affiche la température actuelle et réglée en ° F / ° C

4. CONNECTIVITÉ BLUETOOTH

Illuminé lorsque le gril à granules est connecté au périphérique intelligent.

5. TEMPÉRATURE DE LA 1^{ère} SONDE DE VIANDE *

6. MINUTERIE / CHRONOMÈTRE

7. TEMPÉRATURE DE LA 2^{ème} SONDE DE VIANDE *

8. BOUTON DE FUMAISON

Pour la grillade lente à température basse, ce programme réglera la température à 225° F / 107° C **

9. BOUTON DE RÔTISSAGE

Pour le rôtissage et la cuisson, ce programme réglera la température à 350° F / 176° C **

10. BOUTON DE GRILLADE

Pour la grillade directe, ce programme réglera la température à 600° F / 315° C **

11. BOUTON DE RÉGLAGE

Appuyez sur le bouton de PARAMÉTRAGE (SETTING) selon le chiffre indiqué ci-dessous pour régler les fonctions suivantes.

SONDE(S) DE TEMPÉRATURE DE LA VIANDE

- Appuyez sur le bouton RÉGLAGE (SETTING) une fois (1) pour la sonde 1, deux fois (2) pour la sonde 2.
- Une fois que la sonde est connectée la température s'affiche sur l'écran.
- Pour régler la température interne de cuisson, utilisez le cadran pour régler la température puis appuyez sur le cadran une fois pour régler.
- L'appareil émettra un bip et une icône de crochet apparaîtra sur l'écran lorsque la température interne est atteinte.
* Remarque : Quand la température interne réglée est atteinte, la température du gril à granules diminuera et restera à 225° F (107° C)

MINUTERIE

- Appuyez sur le bouton PARAMÉTRAGE (SETTING) trois fois (3).
- Le cadran de commande permet de régler la minuterie, puis appuyez sur le cadran une fois pour régler.

CHRONOMÈTRE

- Appuyez sur le bouton PARAMÉTRAGE (SETTING) quatre fois (4).
- Appuyez sur le cadran de commande une fois pour démarrer.
- Tournez le cadran dans le sens horaire pour arrêter.
- Tournez le cadran dans le sens antihoraire pour réinitialiser.

LUMINOSITÉ DE L'ÉCRAN

- Appuyez sur le bouton PARAMÉTRAGE (SETTING) cinq fois (5).
- Le cadran de commande permet de régler la minuterie, puis appuyez sur le cadran une fois pour régler.

CHANGER LES UNITÉS DE TEMPÉRATURE °F/°C

- Appuyez et maintenez le bouton PARAMÉTRAGE (SETTING) pendant 5 secondes pour régler le gril à granules à Fahrenheit ou Celsius.

12. BOUTON DE RÉGLAGE

Ajustez la température en tranches de 10 degrés en utilisant le cadran de réglage en tournant le bouton dans le sens horaire / antihoraire. Appuyez sur le cadran de commande une fois pour régler.

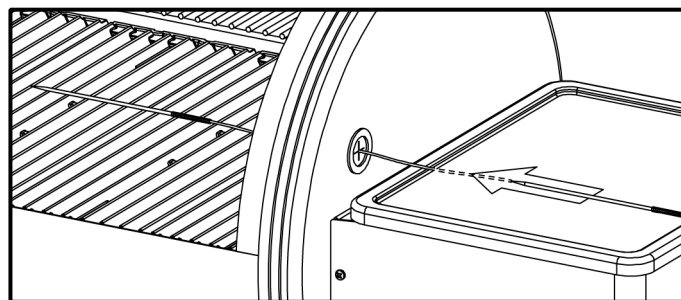
Ajustez la température en tranches de 1 degré en utilisant le cadran de réglage en tournant le bouton dans le sens horaire / antihoraire. Appuyez sur le cadran de commande une fois pour régler. Remarque: L'affichage retournera à la température en ° F / ° C.

13. PORTS 1 ET 2 DU THERMOMÈTRE

14. BOUTON MARCHÉ / ARRÊT

* Remarque : Les crochets illuminés indiquent que la température interne cible est atteinte.

** Remarque: Attendez-vous à des écarts de température en atteignant et maintenant le réglage désiré.



Sonde de thermomètre passant par le côté du fumoir

PRÉPARATION

Retirer les grilles de cuisson et le plateau d'égouttement : Les laver abondamment dans de l'eau chaude et savonneuse. Rincer complètement et sécher avec un chiffon doux, ne pas sécher à l'air forcé, et ne jamais les laver au lave-vaisselle.

APPRÊTAGE DE VOS GRILLES DE CUISSON EN FONTE: Enduire vos grilles de cuisson en fonte avec de l'huile avec point de fumée élevé. Utiliser une serviette en papier ou un chiffon pour enduire tous les rebords.

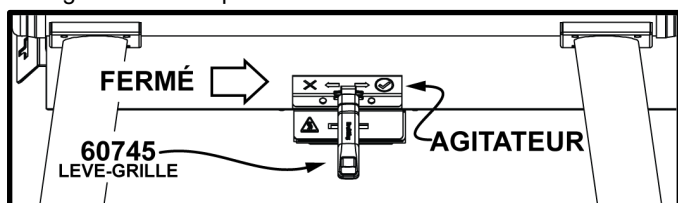
APPRÊTAGE DU SYSTÈME DE GRAISSE

Le plateau d'égouttement sur votre gril à granules Smoke^{MC} de Broil King^{MD} aide à rediriger la fumée froide vers le protecteur thermique et la cheminée. Pour apprêter votre plateau d'égouttement, ajouter ½ tasse [125ml] d'eau dans le plateau d'égouttement vide. Remarque: Quand vous utiliserez votre gril, l'eau sera remplacée par de la graisse.

BRÛLAGE INITIAL

Avant de commencer à utiliser votre gril à granules Smoke^{MC} Broil King^{MD} pour la cuisson, il faut brûler les résidus restants du procédé de fabrication :

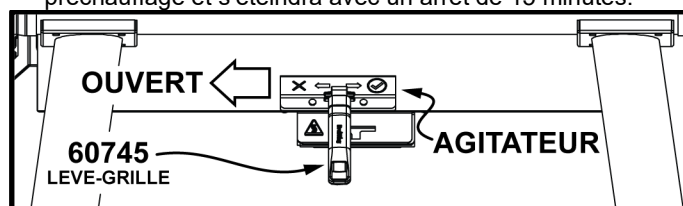
1. Brancher le cordon d'alimentation dans une prise de courant munie d'une mise à la terre appropriée.
2. Inspecter la réserve de granules et la trémie, avant d'ajouter des granules, pour assurer qu'il n'y ait pas de corps étranger qui puisse nuire à la mise en marche. S'assurer que l'agitateur est en position fermée.



3. Pour des meilleurs résultats, utiliser les granules de bois franc de marque Broil King^{MD}. Ne jamais utiliser de granules destinés au chauffage.
4. Régler le registre d'évacuation Roto-Draft^{MC} à la position 5 (grand ouvert) pour laisser une quantité d'air maximale alimenter le feu.
5. Ouvrir le couvercle pendant le préchauffage ou pendant 10 minutes, ou jusqu'à ce que la fumée blanche soit dégagée.
6. Mettre le gril en marche pour activer le contrôleur. Appuyer sur le bouton avant droit sur le gril pour activer le contrôleur. Après quelques secondes, le gril passera en mode de mise en marche.
7. Régler la température à 260°C (500°F). Remarque : Lors du brûlage initial, le gril prendra plus de temps pour chauffer, puisque la trémie devra se charger en granules avant l'allumage. Quand la température ciblée sera atteinte – laisser brûler pendant 15 à 20 minutes. Cela permettra de brûler tout enduit résiduel de fabrication, et de lancer le processus de fumage des composantes internes du gril. Plus vous utiliserez votre gril à granules, meilleur sera son apprêtage.
8. Quand le gril sera froid, apprêter abondamment les grilles de cuisson en les aspergeant d'huile avec point de fumée élevé. S'assurer que la surface entière soit généreusement enduite, y compris les coins. Pour des grilles de cuisson en fonte, un léger apprêtage doit être fait avant chaque utilisation.
9. Lorsque la cuisson est terminée, utilisez la trappe située à l'arrière de la trémie à granules pour enlever tout excès de carburant et conservez le carburant dans un endroit chaud et sec pour qu'il soit prêt pour votre prochaine grillade.
10. Nettoyez le bac à graisse fréquemment pour réduire la possibilité d'un incendie de graisse. Veuillez voir « Entretien » pour plus de détails.

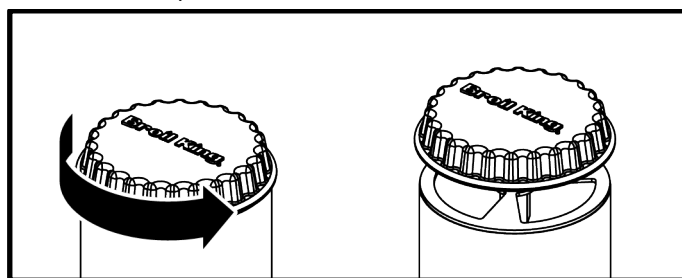
11. Nettoyer la marmite de brûlage à l'aide de l'agitateur et enlever les cendres du plateau à cendres fréquemment pour assurer la performance optimale. Lorsque vous avez terminé de nettoyer le brasier, que vous devez vous assurer que l'agitateur est en position fermée.

12. Remarque : votre gril démarrera avec un allumage et préchauffage et s'éteindra avec un arrêt de 15 minutes.



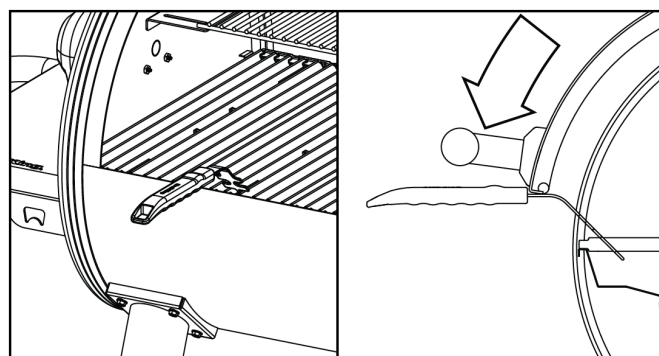
ALLUMAGE / MISE EN MARCHÉ

Ouvrez le couvercle du fumoir et assurez-vous que le clapet de la cheminée est en position ouverte.



Appuyer sur le bouton avant droit illuminé sur le gril, pour activer le contrôleur. Après quelques secondes, le gril passera automatiquement au cycle de préchauffage.

Préchauffer à la température de cuisson voulue, en utilisant le cadran de contrôle. Régler la température voulue en appuyant sur le cadran. Vous entendrez un bip et *Set temperature* (régler la température) clignotera pendant trois secondes, puis reviendra à la température présente. Pour utiliser une température pré-réglée – appuyer sur les boutons *SMOKE (fumer)*, *ROAST (rôtir)* ou sur *GRILL (griller)*. Le couvercle doit être ouvert pendant le préchauffage, au moins pendant 10 minutes ou jusqu'à ce que la fumée soit claire.



CUISSON

Une fois le cycle de préchauffage terminé et la température désirée atteinte, placez les aliments sur le gril et fermez le couvercle.

EXTINCTION

Appuyer sur le bouton marche/arrêt illuminé sur le gril pour désactiver le contrôleur. Après quelques secondes, le gril passera automatiquement au cycle d'extinction (*shutdown*) pendant 15 minutes. Une fois que le gril sera complètement refroidi, il faut le débrancher et enlever toute cendre excessive de la marmite de brûlage avec l'agitateur. Nettoyer le plateau d'égouttement. Vider la réserve de granules à l'aide de la trappe. Pour de meilleurs résultats de cuisson, ranger les granules dans un endroit frais entre les séances de cuisson.

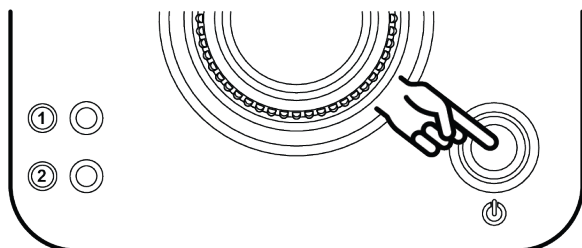
APPLI "PELLET GRILLING" (GRILLADE À GRANULES)

Votre gril à granules de Broil King^{MD} peut être contrôlé par le biais de votre périphérique intelligent. Connectez votre appareil intelligent au gril à granules avec Bluetooth ou votre réseau WIFI domestique.

PARAMÉTRAGE DE L'APPLICATION

ALLUMEZ LE GRIL À GRANULES

- Branchez le cordon d'alimentation sur une prise électrique reliée à la terre.
- Appuyez sur l'interrupteur lumineux sur le gril pour activer le contrôleur.



TÉLÉCHARGEZ ET INSTALLEZ

- Sur votre périphérique intelligent, téléchargez l'appli de Contrôleur de gril à granules Broil King^{MD}.



PARAMÉTRAGE ET COMPTE

- Lorsque vous lancez l'application pour la première fois, on vous demandera de créer un compte
- Le compte fournit une sécurité pour votre application et votre de Broil King^{MD}.
- Vous pouvez également vous inscrire en utilisant votre compte Facebook ou Google +.
- Une fois votre inscription terminée, vous recevrez un courriel.

AJOUTER UNE ZONE

- Après avoir créé un compte, vous devez créer une zone. Une zone est un endroit où se trouve votre gril basé sur votre appareil GPS. Vérifiez l'adresse indiquée sur l'écran pour la précision. Modifier au besoin.
- Par exemple, si vous avez un grill situé à votre maison, vous pouvez nommer votre zone « Maison ».
- Entrez le nom de la zone, puis sélectionnez « Enregistrer la Zone » (Save Zone).

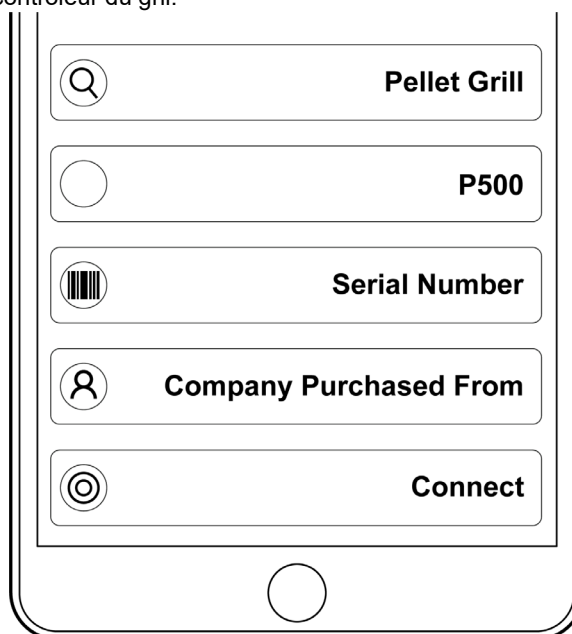
POLITIQUE DE CONFIDENTIALITÉ

- Veuillez lire la politique de confidentialité et sélectionnez « J'accepte » (Agree) ou « Pas d'accord » (Disagree).
- Pour continuer à utiliser l'application, vous devrez accepter la politique de confidentialité.
- Si vous sélectionnez Refuser, vous serez redirigé vers l'écran de la Zone.

CONNEXION À LA FONCTION BLUETOOTH DU GRIL

- Une fois l'application configurée, il est temps pour vous de connecter à votre gril.
- Assurez-vous que la fonction Bluetooth de votre appareil intelligent est activée.
- Sélectionnez la zone en appuyant sur le nom de la zone.
- Après avoir sélectionné la zone, appuyez sur l'icône (+) en haut à droite pour ajouter le gril.
- L'application analysera ensuite votre gril.
- Chaque gril à granules de Broil King^{MD} aura un numéro de contrôle unique, seulement affiché lorsque vous connectez le gril dans l'application.

- Entrez un nom pour votre gril.
- Entrez le numéro de série.
- Entrez le nom de l'entreprise où vous avez acheté votre gril (facultatif).
- Appuyez (Connecter).
- Le gril devrait sonner et afficher le logo Bluetooth à l'écran du contrôleur du gril.



CONNEXION AU WIFI DU GRIL

- Ayez votre nom de routeur WiFi et votre mot de passe prêts.
- Sélectionnez la roue de paramètres WiFi dans le coin inférieur droit dans l'application.



- Entrez le nom du réseau WiFi.
- Entrez votre mot de passe WiFi.
- Vous pouvez sélectionner « Afficher » (Show) pour voir si le mot de passe est correct.
- Sélectionnez « Se connecter » (Connect) pour établir la connexion Wifi.
- Une fois connecté, l'icône WiFi apparaîtra à l'écran du contrôleur du gril.

Remarques :

- Qu'un seul utilisateur peut être connecté au gril à granules de Broil King^{MD} en même temps.
- Si votre périphérique intelligent est hors de la portée Bluetooth du gril, il passera au réglage Wifi et continuera à fonctionner sans l'application. La connexion ne passera au mode Wifi que lorsque le gril précédemment été connecté à un réseau WiFi.
- L'ajustement manuel du gril surpassera toujours les fonctions de commande de l'appli.

* **Exigences relatives au logiciel** : IOS^{MD} 7 (ou supérieur) ou Android^{MC} 4.3 (ou supérieur)



Granules de grillage de première qualité Broil King^{MD}

La grillade parfaite commence par le bon type de carburant. Les granules de grillade de qualité supérieure Broil King^{MD} sont spécialement conçues pour fonctionner avec les grils de la série de Broil King^{MD}. Nos granules sont 100 % naturelles et contiennent uniquement du bois de qualité supérieure – sans agents de remplissage, additifs d'huile ni agents de liaison. Ces granules brûlent plus chauds et plus efficacement pour fournir des performances de cuisson et des saveurs optimales.

AVERTISSEMENT

Toujours ranger les granules de bois dans un endroit sec, loin des appareils qui produisent de la chaleur et d'autres contenants d'essence.

63920 - Granules d'hicorier à 100%

La saveur barbecue la plus iconique.

L'hicorier offre un goût de fumée prononcé, et il est souvent associé avec le bacon ou le jambon fumé. Cette fumée robuste s'adonne bien aux grosses pièces de viande. Faites-en l'essai avec : le bœuf, la volaille, le porc, les légumes consistants.

Mélanges Premier

Nos bois de source sont mélangés avant la pelletisation, pour veiller à ce que chaque pastille contienne le mélange prévu. Cette méthode permet une performance de cuisson plus reproductible avec un brûlage et une saveur de fumée uniformes, par rapport à un mélange aléatoire d'une seule espèce granules qui peut offrir des saveurs et des performances de cuisson incompatibles. Nos granules de qualité supérieure sont un ingrédient clé de votre prochaine grillade. Découvrez ces variétés de granules :

63930 - Mélange de granules Smoke Master's

Érable / hicorier / cerisier

Une sélection de sources de bois très populaires auprès des champions des compétitions de grillade. Ce mélange offre des touches de sucré combinées avec la fumée consistante d'hicorier. Il ajoute une saveur fumée bien équilibrée aux aliments grillés. Faites-en l'essai avec : le bœuf, la volaille, le porc.

63939 - Mélange de granules Griller's Select

Érable / chêne / cerisier

Ce mélange de granules offre une fumée plus claire et légèrement sucrée, il est conçu pour ne pas trop altérer les saveurs naturelles. Un excellent choix comme granule de grillage de tous les jours. Faites-en l'essai avec : le bœuf, la volaille, le porc, le poisson, les légumes et la pizza.

Remarque : Alors que l'utilisation de granules de bois non de qualité alimentaire et non de marque Broil King^{MD} n'annulera pas votre garantie, le gril à granules de Broil King^{MD} est spécialement calibré pour les granules de grillade de qualité supérieure Broil King^{MD}. L'utilisation d'autres marques de granules de grillade peut affecter la température et la saveur.

Fumage : Moins de 135°C (275°F)

Cette forme classique de grillade comprend la cuisson indirecte des plus grandes coupes de viande à basse température (inférieure à 275 °F - 135 °C) pour une durée relativement longue (souvent 4 + heures). Utilisez des copeaux de bois et du charbon pour infuser une saveur de fumée de barbecue dans les viandes cuites lentement et pour une viande incroyablement tendre.

Rôtissage : 176°C à 205°C (350°F à 400°F)

Aussi connu comme la grillade indirecte, il s'agit d'une configuration similaire à la fumaison ; le rôtissage par fumaison est une version accélérée des mêmes principes. Le rôtissage convient pour les rôtis, poulets et aliments conventionnels qui sont habituellement rôtis au four. La combinaison du temps de cuisson et de fumée crée une excellente saveur en moins de temps par rapport à la fumaison. La cuisson à convection en conjonction avec la température de rôtissage donne des résultats incroyables (voir la page 08).

Grillade directe : 205°C (400°F) ou plus

Cette méthode est utilisée pour la grillade en arrière-cour ou le barbecue traditionnel. Idéale pour les petits aliments – biftecks, côtelettes, hamburgers, légumes. La chaleur élevée grille l'extérieur tout en cuisant l'intérieur.

Pour plus d'informations, visitez-nous à l'adresse : www.broilkingbbq.com

GUIDE DE TEMPÉRATURE SELON LA VIANDE			
	SAIGNANT	MOYEN	BIEN CUIT
BŒUF/ AGNEAU/ VEAU	55°C / 130°F	63°C / 146°F	70°C / 160°F
PORC		65°C / 150°F	77°C / 170°F
VOLAILLE			77°C / 170°F
HAMBURGER			70°C / 160°F

POUR DE MEILLEURS RÉSULTATS, UTILISER UN THERMOMÈTRE À VIANDE

GUIDE POUR LA GRILLADE DU BIFTECK PARFAIT

DÉPOSEZ LE BIFTECK À ANGLE SUR UNE GRILLE CHAUDE.

2 min.

RETOURNEZ LE BIFTECK COMME ILLUSTRÉ CI-DESSOUS.

2 min.

RETOURNEZ LE BIFTECK UNE DEUXIÈME FOIS.





2 min.

RETOURNEZ LE BIFTECK UNE DERNIÈRE FOIS.

2 min.

Épaisseur de la viande	Réglage de chaleur	Temps de cuisson par côté				Temps total		
		A	B	C	D			
1½"	1"							
	Rare	Haut	1¾	1¾	1¾	1¾	7 minutes	
	Saignant	Mi-saignant	Moyen/Haut	2	2	2	2	8 minutes
	Mi-saignant	Moyen	Moyen/Haut	2½	2½	2½	2½	9 minutes
	Moyen	Bien cuit	Moyen	2½	2½	2½	2½	10 minutes
	Bien cuit	Moyen	3	3	3	3	3	12 minutes

TEMPÉRATURE ET DURÉES DE CUISSON

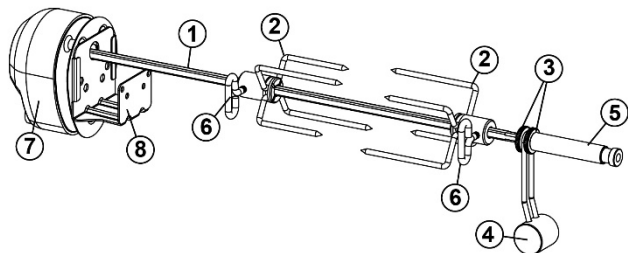
	DESCRIPTION	RÉGLAGE	TEMPÉRATURE	DURÉE	TEMP. FINALE
	Côtes de bœuf	FUMER	225°F (107°C)	5 heures	130°F (54°C)
	Filet 3 à 4 lb (1,36 à 1,81 kg)			2,5 à 3 heures	130°F (54°C) pour à demi-saignant
	Pointe (effiloché) 8 à 12 lb (3,63 à 5,44 kg)			1,5 hres par lb (3,3 hres/ kg)	205°F (96°C)
	Pointe (tranche épaisse) 8 à 12 lb (3,63 à 5,44 kg)			1,5 hres par lb (3,3 hres/ kg)	195°F (90°C)
	Pointe (tranche mince) 8 à 12 lb (3,63 à 5,44 kg)			1,5 hres par lb (3,3 hres/ kg)	185°F (85°C)
	Rôti de côtes de choix	RÔTIR	350°F (176°C)	15 min par lb (33 min par kg)	130°F (54°C) pour à demi-saignant
	Rôti d'ailoyau			8 Heures	130°F (54°C) pour à demi-saignant
	Steak*	GRILLER	600°F (315°C)		130°F (54°C) pour à demi-saignant
	Hamburgers*				160°F (71°C)
	Poulet (quarts)	RÔTIR	350°F (176°C)	1 à 2 heures	170°F (77°C)
	Poulet (haut de cuisse)			1,5 heures	170°F (77°C)
	Poulet (entier) 2,5 à 3,5 lb (1,13 à 1,58 kg)			2 à 2,5 heures	170°F (77°C)
	Poulet (entier) 3,5 à 4,5 lb (1,59 à 2,04 kg)			2 à 3 heures	170°F (77°C)
	Poulet (ailes)			1,25 heures	170°F (77°C)
	Poitrine de poulet 5 à 8 oz. (0,14 à 0,23 kg)			1 à 2 heures	170°F (77°C)
	Dinde (cuisses)			2 à 3 heures	170°F (77°C)
	Dinde (entière) 10 to 12 lb (4,54 à 5,44 kg)			2,5 à 3 heures	170°F (77°C)
	Poisson (entier) 4 à 6 lb (1,81 à 2,72 kg)	FUMER	225°F (107°C)	3,5 à 4 heures	Jusqu'à floconneux
	Homard (vapeur)			15 minutes/lb	Au goût
	Crevettes (vapeur)			15 minutes/lb	Au goût
	Petites côtes levées de dos 1,5 à 2,5 lb (2,72 à 1,13 kg)	FUMER	225°F (107°C)	5 heures	160°F (71°C)
	Côtes levées (petites côtes) 2,5 à 3,5 lb (1,13 à 1,63 kg)			5 à 7 heures	160°F (71°C)
	Soc de porc (effiloché) 6 à 8 lb (2,72 à 3,63 kg)			1,5 hres par lb (3,3 hres/ kg)	205°F (96°C)
	Soc de porc (tranché) 6 à 8 lb (2,72 à 3,63 kg)			1,5 hres par lb (3,3 hres/ kg)	170°F (77°C)
	Côtelettes de porc			1,5 hres par lb (3,3 hres/ kg)	160°F (71°C)
	Rôti de porc 8 à 10 lb (3,63 à 4,54 kg)			1,5 hres par lb (3,3 hres/ kg)	155°F à 165°F (68°C à 74°C)
	Longe de porc 8 à 10 lb (3,63 à 4,54 kg)			4 à 6 heures	160°F (71°C)
	Saucisses de porc : Diamètre de 1,5 à 2,5 po (3,8 à 6,4 cm)			1 à 3 heures	165°F (74°C)
	Épaule de porc (effiloché) 6 à 10 lb (2,72 à 4,54 kg)			8 à 12 heures	205°F (96°C)
	Épaule de porc (tranché) 6 à 10 lb (2,72 à 4,54 kg)			5 à 8 heures	175°F (79°C)
	Filet de porc 1,5 à 2,5 lb (2,72 à 1,13 kg)			2,5 à 3 heures	160°F (71°C)
	Jambon (avec os)			1,5 hres par lb (3,3 hres/ kg)	160°F (71°C)

TECHNIQUES DE CUISSON

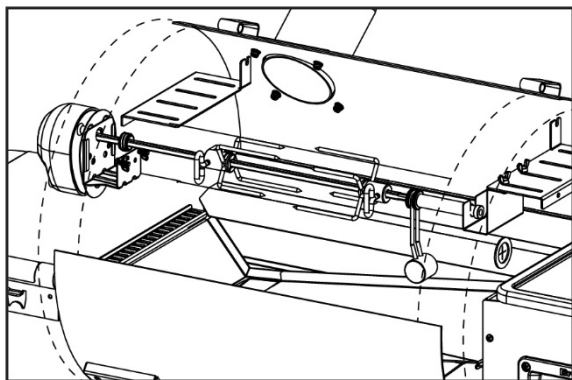
RÔTISSERIE AU TOURNEBROCHE, PAR CONVECTION

Cette méthode est idéale pour la cuisson de grosses pièces de viande, comme des rôtis ou des volailles. Les aliments sont cuits par l'air chaud qui circule autour de la viande.

1. La rôtisserie peut accommoder jusqu'à 7 kg (15 lb) de viande, avec comme facteur limitatif le dégagement pour la rotation. Pour de meilleurs résultats, la viande doit être centrée sur la ligne centrale de la broche pour éliminer tout déséquilibre.
2. Fixer solidement la viande sur la broche avant de la placer sur le grill. Pour la volaille, attacher solidement les ailes et les pattes.



- | | |
|---------------------------|-----------------------------|
| 1. Tige de rôtisserie | 2. Fourchette de rôtisserie |
| 3. Rondelle de rôtisserie | 4. Balance à rôtisserie |
| 5. Bague à rôtisserie | 6. Vis de serrage |
| 7. Moteur de rôtisserie | 8. Support à rôtisserie |

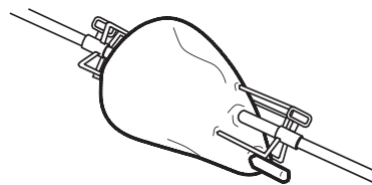


ÉQUILIBRAGE DE LA RÔTISSERIE

1. Desserrer la bague de la tige pour permettre à la balance de tourner librement.
2. Placer la tige de rôtisserie dans les fentes de support. Laisser le côté le plus lourd de la viande tourner vers le bas.
3. Ajuster la balance à rôtisserie en haut de la tige, du côté opposé à la viande.
4. Serrer la bague de la tige. Périodiquement, vérifier pour voir si la viande tourne librement pendant la cuisson. Ajuster la balance à rôtisserie au besoin.

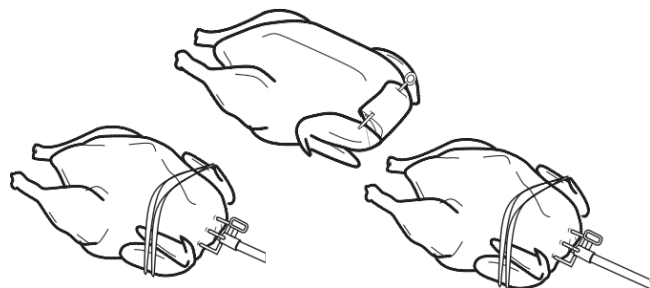
AVERTISSEMENT : Utiliser une mitaine de four pour ajuster la balance à rôtisserie.

UTILISATION D'UNE BROCHE – GIGOT D'AGNEAU



1. Faire scier 8 cm (3 po) d'os de la petite partie du gigot.
2. Laisser la viande intacte autour de l'os, pour former un rabat.
3. Placer une broche sur la tige.
4. Plier le rabat vers le haut et insérer la tige dans le rabat et le gigot.
5. Placer une seconde fourchette sur la tige, et insérer les fourchettes à chaque bout du gigot. Tester son équilibre. Serrer les vis.

UTILISATION D'UNE BROCHE – VOLAILLE



1. Avec la poitrine vers le bas, placer la peau du cou sur la cavité.
2. Tourner sous les rebords de la peau; placer une broche pour soutenir la peau.
3. Enrouler une ficelle autour de la broche et l'attacher.
4. Tourner la poitrine vers le haut; attacher ou piquer les ailes au corps sur une broche.
5. Placer une broche sur la tige. Insérer la tige dans la peau du cou, en parallèle avec la colonne vertébrale, et sortir juste au dessus de la queue.
6. Placer une seconde fourche sur la tige, et insérer les fourchettes dans la poitrine et la queue. Tester l'équilibre. Serrer les vis.
7. Attacher la queue sur la broche avec de la ficelle. Croiser les pattes; les attacher à la queue.

RECETTES

ÉPICES À BARBECUE*

- 2 cuillerées à soupe de sucre brun
- 1 cuillerée à thé sel Kasher
- 1 cuillerée à thé de poivre noir fraîchement moulu
- 1 cuillerée à soupe de cumin
- 2 cuillerées à thé de moutarde sèche
- 2 cuillerées à thé de paprika
- 2 cuillerées à soupe de poudre de chili
- 1 cuillerée à thé de sel d'oignon
- 1 cuillerée à thé de sel de céleri
- 1 cuillerée à thé de poudre d'ail
- 1 cuillerée à soupe d'origan

*Essayez le Parfait Apprêt D'épices^{MC} de Broil King^{MD} (#50975) ou le L'apprêt BBQ KC Parfait^{MC} (#50978) pour des résultats fantastiques.

POULET FUMÉ

- Préchauffer le gril à granules au réglage « Smoke » (Fumer) (107°C / 225°F)
- 1 poulet entier, séparé, ou des morceaux de poulet (hauts de cuisse, ailes, pilons)
- Saupoudrer les morceaux de poulet avec le mélange d'épices à barbecue, laisser pénétrer pendant 30 minutes
- Placer le poulet sur les grilles de cuisson
- Cuire pendant 1 heure
- Augmenter la chaleur dans le gril à granules, au réglage « ROAST » (Rôtir) (176°C / 350°F).
- Cuire pendant 1 à 2 heures, jusqu'à ce que la température interne atteigne 74°C / 165°F
- Couvrir et laisser reposer pendant 10 minutes
- Servir, bon appétit!

CÔTELETTES

- Préchauffer le gril à granules au réglage « Smoke » (Fumer) (107°C / 225°F)
- 4 côtelettes de porc
- Peler la membrane des côtelettes
- Assaisonner au goût avec le mélange d'épices à barbecue
- Ajouter un godet d'eau avec du jus de pomme au fumoir (si désiré)
- Placer les côtelettes sur les grilles de cuisson
- Cuire pendant 4 heures ou jusqu'à la cuisson voulue
- Si désiré, retirer les côtelettes du gril, les enrober dans une feuille d'aluminium, et les laisser reposer pendant 30 minutes. Augmenter la chaleur dans le gril à granules à (176°C / 350°F)
- Replacer les côtelettes sur le gril, et appliquer de la sauce barbecue, puis cuire pendant 10 minutes.
- Retirer du fumoir, couvrir et laisser reposer pendant 10 minutes.
- Servir, bon appétit!

PORC EFFILOCHÉ

- Préchauffer le gril à granules au réglage « Smoke » (Fumer) (107°C / 225°F)
- 4 à 5 lb d'épaule de porc (une pièce plus petite sera souvent nommée croupon de Boston ou épaule picnic)
- Assaisonner au goût avec le mélange d'épices à barbecue
- Placer l'épaule de porc sur les grilles de cuisson
- Cuire environ 1 heure par livre, jusqu'à une température interne d'au moins (85°C / 185°F)
- Retirer du fumoir, envelopper dans une feuille d'aluminium, et laisser reposer pendant 30 minutes
- Soulever avec la spatule *Super Flipper* de Broil King^{MD} (64011) ou avec la fourchette Broil King^{MD} (64070)
- Appliquer de la sauce, au goût.



GUIDE DES INGRÉDIENTS POUR UN BIFTECK PARFAIT**

- 4 biftecks (préférentiellement des contrefilets) de 2,5 cm (1 po) d'épais
- 2 gousses d'ail émincées ou pressées
- 2 cuillerées à soupe de sauce Worcestershire
- 2 cuillerées à soupe de vinaigre balsamique
- 2 cuillerées à thé de moutarde Dijon
- 2 cuillerées à soupe de sauce soya
- 2 cuillerées à soupe d'huile d'olive

**Essayez la marinade Perfect Steak Broil King^{MD} (50990) pour mariner rapidement des biftecks délicieux, ainsi que vos autres viandes grillées préférées.

PRÉPARATION DES BIFTECKS

Découper l'excédent de gras des biftecks. Dans un sac d'emballage réutilisable en plastique résistant, combiner les ingrédients restants. Mariner les biftecks pendant 1 heure, à la température de la pièce, ou jusqu'à 24 heures au réfrigérateur. Si vous les réfrigérez, porter les biftecks à température de la pièce, en environ 1 heure avant de les cuire, pour obtenir une cuisson plus uniforme.

CONSEILS POUR UN GRILLAGE PARFAIT

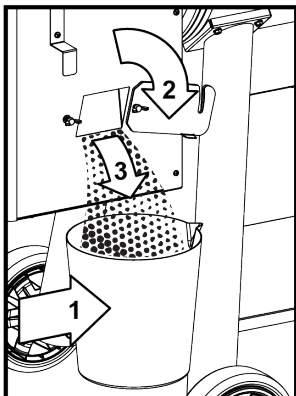
- A. Badigeonnez les grilles avec une huile avec point de fumée élevé et préchauffez le gril à granules en utilisant le réglage GRILL (GRILLER) (600° F / 315° C). Placez les aliments sur le gril à un angle de 45 degrés et faites cuire selon la durée sur les tableaux de cuisson ci-dessous.
- B. Remettez le bifteck sur le gril sur le même angle de 45°.
- C. Retournez le bifteck et grillez-le sur l'angle opposé de 45°.
- D. Finalement, retournez le bifteck et le griller sur le même angle de 45°. (voir le guide du bifteck parfait à la page 19)



ENTRETIEN

NETTOYAGE DE LA RÉSERVE À GRANULES

Votre gril à granules Broil King^{MD} est muni d'un système de nettoyage de sa réserve de granules, conçu pour un faciliter le retrait et l'accès au combustible, pour changer rapidement les essences des granules ou pour nettoyer les granules restants après l'utilisation.

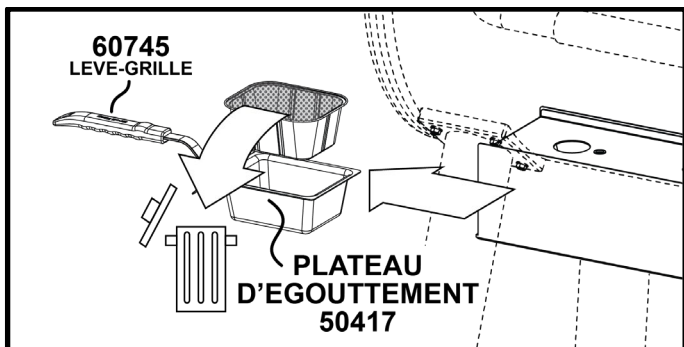


1. Placer le sceau sous la porte dérobée.
2. Ouvrir la porte dérobée.
3. Ramasser les granules.
4. Fermez la trappe et sécurisez.

NETTOYAGE DE LA GRAISSE

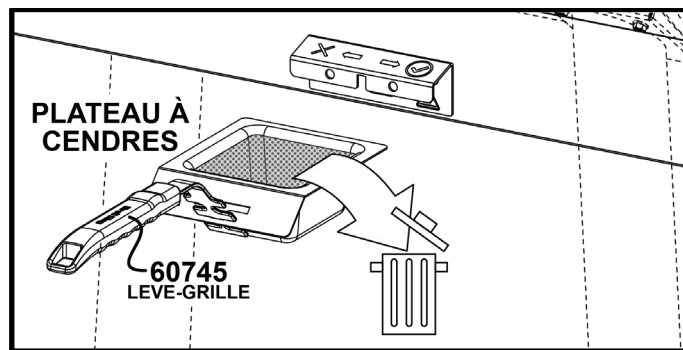
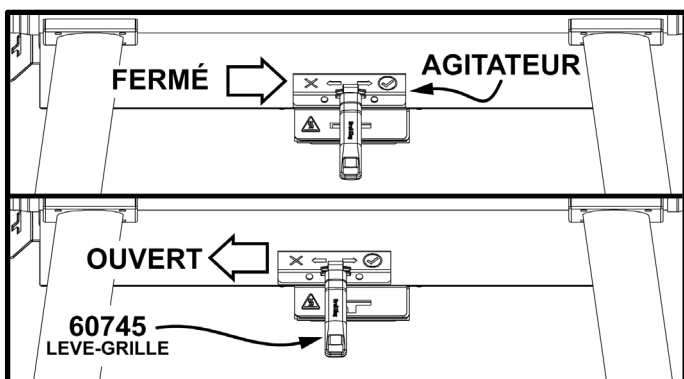
Les feux de graisse sont causés par un entretien insuffisant du gril, et un manquement à nettoyer le système de gestion des graisses sur une base régulière. Dans l'éventualité improbable d'un feu de graisse pendant la cuisson, éteindre ou débrancher l'appareil, et garder le couvercle fermé jusqu'à extinction complète.

Ne jamais garder le couvercle ouvert pendant un feu de graisse.



NETTOYAGE DES CENDRES

Après chaque grillade, attendez que le gril refroidisse avant de retirer et de vider le plateau de cendres. La première étape consiste à ouvrir l'agitateur à la position déverrouillée indiquée dans le couvercle. Vous pouvez glisser l'agitateur entre la position verrouillé et déverrouillé pour aider les cendres à tomber dans le plateau. N'éliminez que les cendres complètement éteintes et refroidies.



Avant d'utiliser le gril à nouveau, ramener l'agitateur à la position verrouillée.

ÉLIMINATION DES CENDRES

Les cendres doivent être placées dans un contenant de métal avec un couvercle hermétique. Le contenant de cendres fermé devrait être placé sur un plancher non-combustible ou sur le sol, loin des matériaux combustibles avant l'élimination finale. Si les cendres sont éliminées par enterrement ou dispersées localement, elles devraient être conservées dans le contenant fermé jusqu'à ce que toutes les cendres ont complètement refroidi.

SOINS ET ENTRETIEN

Le gril à granules Broil King^{MD} vous offrira de nombreuses années de service, moyennant un entretien minimal. Le processus d'apprêtage contribuera à préserver les composants internes en acier. Utiliser une brosse en acier inoxydable pour nettoyer les grilles de cuisson et les composants qui sont souillés.

Il peut être nécessaire de nettoyer et ré-assaisonner vos grilles de cuisson. Les brosser complètement avec une brosse à gril en acier inoxydable Broil King^{MD} (n° 64014) pour enlever tous les débris et appliquer une fine couche d'olive ou d'huile de pépins de raisin. Ensuite, placer les grilles de cuisson sur le gril et faire cuire à 400°F (205°C) pendant 1 heure. Répéter au besoin. Cette couche d'huile protégera vos grilles de cuisson et donnera des années d'utilisation sans problèmes.

Nettoyer l'extérieur avec de l'eau chaude savonneuse.

Pour nettoyer l'intérieur, utiliser une brosse à poils en métal Broil King^{MD} (65641) pour enlever tous les débris dans le four. Les couches d'huile accumulées à l'intérieur du fumoir – son apprêtage – sont protectrices, et n'ont pas besoin d'être récurées à quelque fréquence.

Toujours garder le couvercle fermé de votre gril à granules Broil King^{MD} quand vous ne l'utilisez pas – utiliser la housse pour gril Broil King^{MD} (67069) pour le modèle Regal Pellet 500 (Modèle 496051) ou la housse pour gril Broil King^{MD} (67065) pour le modèle Regal Pellet 400 (modèle 495051).



GARANTIE

GARANTIE ET SERVICE À LA CLIENTÈLE

La garantie offerte par Onward Manufacturing Company Ltd. (OMC) est valide à compter de la date de votre achat, et est limitée au remplacement, sans frais, des pièces qui s'avèrent défectueuses, dans des conditions normales d'usage résidentiel.

Au Canada et aux États-Unis, leur remplacement est FAB à l'usine.

Dans tous les autres pays, le remplacement est FAB au distributeur OMC. (Consulter votre marchand pour obtenir le nom de votre distributeur OMC).

Tous les autres frais relèvent de la responsabilité du propriétaire du gril.

Cette garantie est offerte uniquement à l'acheteur d'origine, tel qu'indiqué sur l'enregistrement de garantie, et s'applique uniquement aux produits vendus au détail, et seulement lorsqu'utilisés dans le pays d'achat d'origine.

CE QUI EST COUVERT

Four enduit à haute température	5 ans
Acier inoxydable	5 ans
Grilles en fonte émaillée	3 ans
Contrôleur digital et composants	3 ans
Autres pièces, et la peinture	3 ans

CE QUI N'EST PAS COUVERT:

- Toute défaillance ou difficulté d'opération attribuable à un accident, un abus, un mauvais usage, altération, mauvaise application, vandalisme, installation inadéquate ou entretien/service inapproprié, ou tout manquement à faire l'entretien de routine et normal, tel que décrit dans ce manuel d'utilisation.
- Détérioration ou dommage attribuable à des mauvaises conditions climatiques, telles que la grêle, un ouragan, un tremblement de terre ou une tornade, une décoloration attribuable à une exposition à des produits chimiques, soit directement ou présents dans l'atmosphère.
- Frais d'expédition et de transport.
- Frais de retrait ou de réinstallation.
- Frais de main-d'œuvre pour l'installation et/ou la réparation.
- Coûts d'un appel de service.
- Responsabilité pour des dommages indirects ou consécutifs.

PIÈCES DE RECHANGE:

Des « pièces OMC d'origine » doivent toujours être utilisées pour le remplacement.

L'utilisation d'autres pièces entraîne l'annulation automatique de cette garantie.

RÉCLAMATIONS SOUS GARANTIE:

Toute question de garantie sera traitée directement par OMC. Les pièces doivent être retournées à : OMC

Warranty Department, frais de transport prépayés, accompagnés du numéro de modèle, du numéro de série, et si la garantie de votre gril n'est pas enregistrée, d'une preuve d'achat (une copie de la facture d'achat).

Si notre inspection confirme la défaillance, OMC réparera ou remplacera la ou les pièce(s), conformément aux termes de cette garantie.

Sur réception d'une lettre ou d'une télécopie (pas par téléphone) OMC peut, à son unique discrétion, ne pas exiger que la ou les pièce(s) soient retournée(s).

CONTACT POUR L'AMÉRIQUE DU NORD:

1-800-265-2150

www.broilkingbbq.com

info@omcbbq.com

585 Kumpf Dr.

Waterloo, Ontario, Canada

N2V 1K3

AILLEURS QU'EN AMÉRIQUE DU NORD:

Cette garantie est administrée par le distributeur OMC de votre pays.

Communiquer avec votre marchand pour obtenir le nom de votre distributeur OMC.

Broil King®

MANUAL DEL USUARIO

PARA USAR CON

Broil King® Regal Pellet 500 / 400

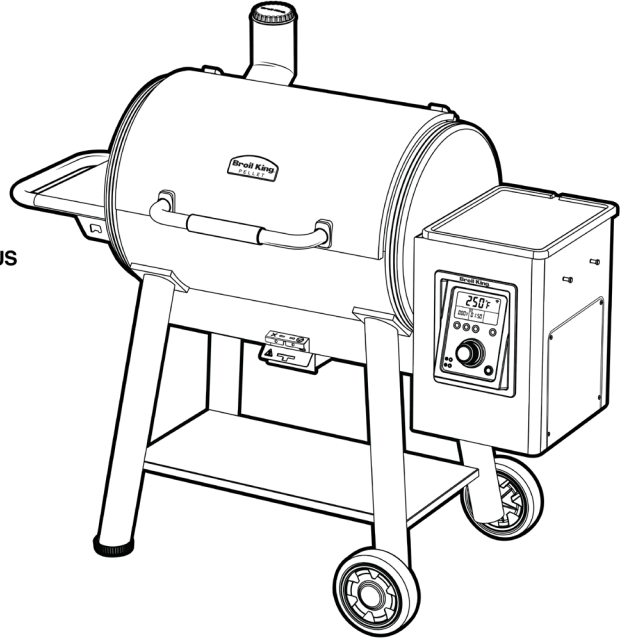
Para modelo(s) 494051, 493051

CERTIFICADO TO UL SUBJECT 2728

CERTIFICADO TO ULC/ORD C2728

ÍNDICE

INTRODUCCIÓN	26
SEGURIDAD	26
PARTES DE LA PARRILLA.....	27
CONTROL DIGITAL.....	28
PARA COMENZAR	29
APP DE LA PARRILLA A GRÁNULOS.....	30
COMBUSTIBLE EN GRÁNULOS	31
TÉCNICAS DE COCCIÓN.....	31
RECETAS.....	34
MANTENIMIENTO.....	35
GARANTÍA	36



INTRODUZCA AQUÍ SU NÚMERO DE MODELO, NÚMERO DE SERIE Y FECHA DE COMPRA.

Esta información puede encontrarse en la etiqueta de advertencia negra y plateada de OMC que se encuentra en la parte posterior o lateral de su parrilla.

Número de modelo																			
Número de serie																			
Fecha de Compra	dd / mm / yyyy																		

NOTA PARA EL INSTALADOR: ESTAS INSTRUCCIONES DEBE DEJARSE CON EL CONSUMIDOR.

LEA COMPLETAMENTE ESTE MANUAL ANTES DE INSTALAR Y UTILIZAR ESTE APARATO QUE FUNCIONA QUEMANDO GRÁNULOS. EL NO SEGUIR ESTAS INSTRUCCIONES PODRÍA CAUSAR DAÑOS MATERIALES, LESIONES E INCLUSO LA MUERTE.

COMUNÍQUESE CON LOS FUNCIONARIOS LOCALES DE EDIFICIOS O INCENDIOS PARA AVERIGUAR LAS RESTRICCIONES Y LOS REQUISITOS DE INSPECCIÓN DE INSTALACIÓN EN SU ÁREA.

GUARDE ESTAS INSTRUCCIONES PARA REFERENCIA FUTURA.

SEGURIDAD

Su nueva parrilla a gránulos de Broil King® es un artefacto seguro y práctico si se arma y se usa correctamente. Sin embargo, como sucede con todo artefacto que funciona quemando gránulos, es necesario respetar ciertas medidas de seguridad al utilizarlo. No seguir estas medidas de seguridad podría causar lesiones o daños graves. Si tiene alguna pregunta sobre el montaje o la utilización, consulte a su distribuidor, o llame a nuestro servicio de atención al cliente al 1-800-265-2150. / info@omcbbq.com

- Lea completamente este manual antes de instalar y utilizar este aparato que funciona quemando gránulos. El no seguir estas instrucciones podría causar daños materiales, lesiones e incluso la muerte.
- Comuníquese con los funcionarios locales de edificios o incendios para averiguar las restricciones y los requisitos de inspección de instalación en su área.
- Guarde estas instrucciones para referencia futura.

PELIGRO

- Esta parrilla está diseñada **SÓLO PARA USO EXTERIOR**. Si se utiliza en el interior, los gases tóxicos se acumularán y podría causar serias lesiones corporales o hasta la muerte. Siga estas pautas para evitar que este gas incoloro e inodoro lo envenene a usted, a su familia o a otros.
- Conozca los síntomas de la intoxicación por monóxido de carbono: dolor de cabeza, mareos, debilidad, náuseas, vómitos, somnolencia y confusión. El monóxido de carbono reduce la capacidad de la sangre para transportar oxígeno. Los bajos niveles de oxígeno en la sangre pueden provocar pérdida de la conciencia y la muerte.
- Consulte con un médico si usted u otras personas desarrollan síntomas parecidos al resfriado o la gripe al cocinar o al estar cerca de este artefacto. La intoxicación por monóxido de carbono, que puede confundirse fácilmente con un resfriado o gripe, a menudo se detecta demasiado tarde.
- El consumo de alcohol y el uso de drogas aumentan los efectos de la intoxicación por monóxido de carbono.
- El monóxido de carbono es especialmente tóxico para una madre y su niño durante el embarazo, los bebés, los ancianos, los fumadores y las personas con problemas de sangre o del sistema circulatorio, como la anemia o las enfermedades cardíacas.
- Nunca use gasolina, combustible tipo gasolina para faroles, queroseno, líquido encendedor para carbón o líquidos inflamables con este artefacto para iniciar o mantener el fuego.
- Nunca almacene ningún material combustible cerca o debajo del artefacto.
- Siempre esté atento a los niños o las mascotas que están cerca de la parrilla caliente.
- No intente mover una parrilla caliente.
- No utilice la parrilla a menos que esté completamente armada con todas las piezas en su lugar.
- No retire las cenizas hasta que los gránulos se hayan quemado por completo y estén apagados.
- No utilice la parrilla cuando haya vientos fuertes.
- Si se producen llamaradas, no utilice agua para apagar el fuego. Apáguela. Desenchufe el cable de alimentación y espere a que se enfríe la parrilla.

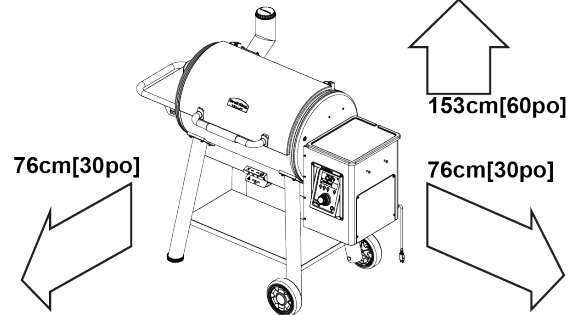
PRECAUCIONES ELÉCTRICAS

- Este artefacto utiliza una fuente de alimentación eléctrica externa y debe conectarse a tierra de acuerdo con las normas locales. Si no hubiese códigos locales, guíese por las siguientes normas: (EE.UU.) Última edición del Código Eléctrico Nacional ANSI/NFPA No. 70 y (Canadá) Código Eléctrico Canadiense CSA C22.1
- No utilice la unidad si el enchufe está dañado.
- No corte ni desconecte la toma a tierra del enchufe.
- Mantenga el cable de alimentación eléctrico alejado de toda superficie caliente.

INSTALACIÓN

UNA DE LAS CAUSAS PRINCIPALES DE INCENDIOS ES EL INCUMPLIMIENTO CON LAS DISTANCIAS REQUERIDAS (ESPACIOS LIBRES) A MATERIALES COMBUSTIBLES. ES DE SUMA IMPORTANCIA QUE ESTE PRODUCTO SE INSTALE SOLAMENTE DE ACUERDO CON ESTAS INSTRUCCIONES.

- El artefacto debe ubicarse lejos de superficies combustibles, como mínimo a 76 cm / 30 pulgadas por cada lado, y a 76 cm / 30 pulgadas de su parte posterior. Debe haber 153 cm / 60 pulgadas de espacio entre la parte superior del artefacto y cualquier construcción por encima del mismo.



- Nunca instale el artefacto debajo de plantas, árboles o follaje.
- **ADVERTENCIA:** Instale siempre el artefacto sobre una superficie no combustible.
- **ADVERTENCIA:** Instale siempre el artefacto sobre una superficie nivelada y manténgalo nivelado.
- Este artefacto es para **USO EXCLUSIVO EN EXTERIORES**, no lo utilice en garajes, galpones, balcones ni en ningún otro tipo de área cerrada.
- **NO** limite el flujo de aire que circula alrededor del artefacto.
- Mantenga el área que rodea al artefacto libre de materiales combustibles, gránulos, gasolina, y de cualquier otro líquido o vapor inflamable.
- Este artefacto no está diseñado para ser instalado en vehículos recreativos ni en embarcaciones.

ADVERTENCIA

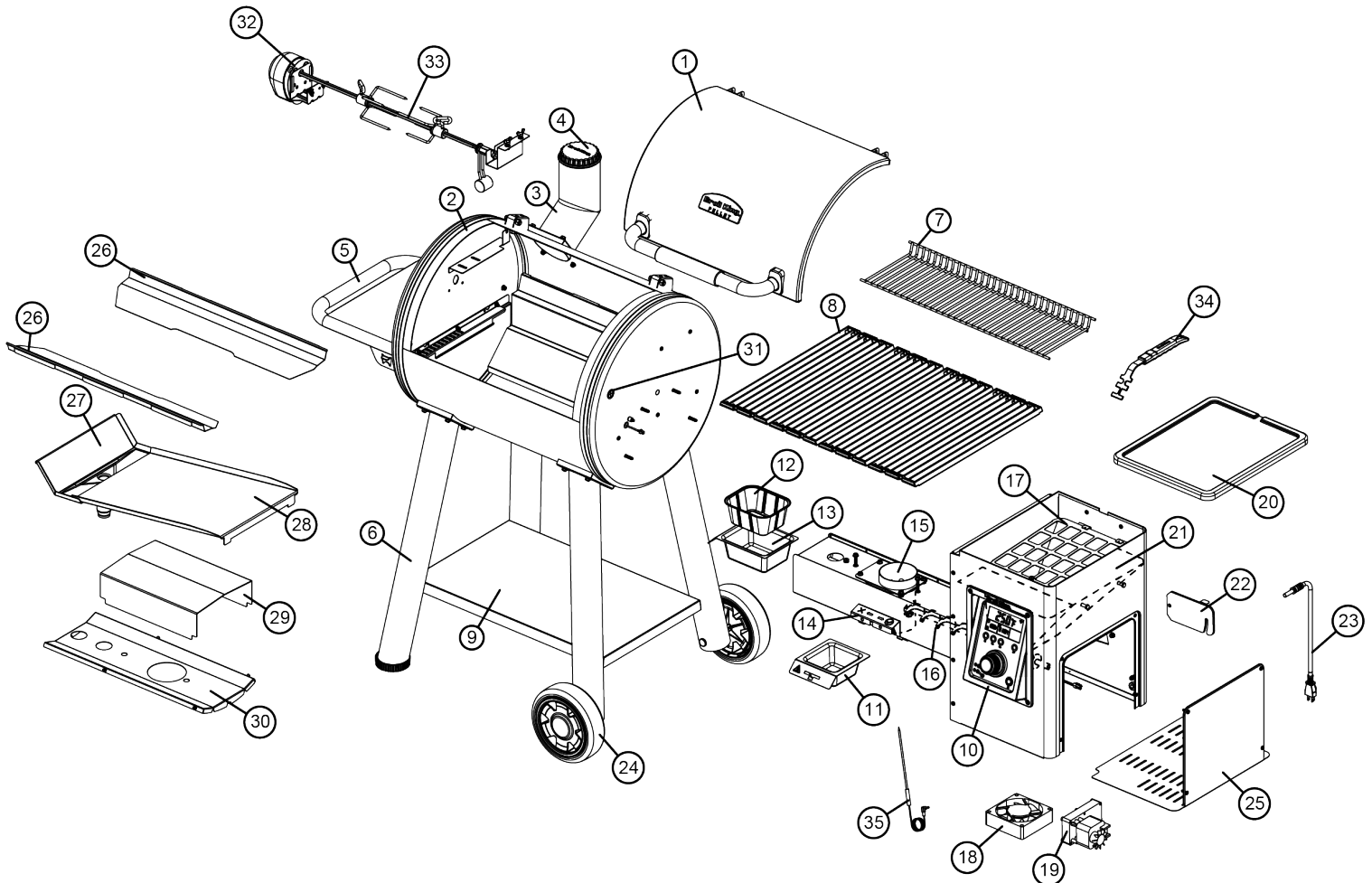
- Precaliente la parrilla con la tapa abierta durante 10 minutos o hasta que el humo blanco se vuelva transparente.
- Nunca toque la bandeja de los gránulos, la bandeja de las cenizas o la rejilla de cocción para ver si están calientes.
- Para trabajar con la parrilla utilice manoplas o protectores para protegerse las manos mientras está cocinando o al ajustar el regulador de tiro superior.
- Utilice las herramientas adecuadas para la parrilla con manijas largas, resistentes al calor.
- Utilice únicamente gránulos de madera de calidad alimentaria. Se recomiendan los gránulos Broil King® de alta calidad para parrilla.
- Siempre almacene los gránulos de madera en un lugar seco, lejos de aparatos que produzcan calor y de otros recipientes de combustible.
- Para apagar los gránulos, apague el control digital y cierre completamente el regulador de tiro. No utilice agua.

ADVERTENCIA SEGÚN LA LEY 65

La combustión (quemado) de este producto, produce monóxido de carbono y otras sustancias que el estado de California considera que causan cáncer, defectos de nacimiento o daños reproductivos. Por mayor información visite www.P65warnings.ca.gov/product

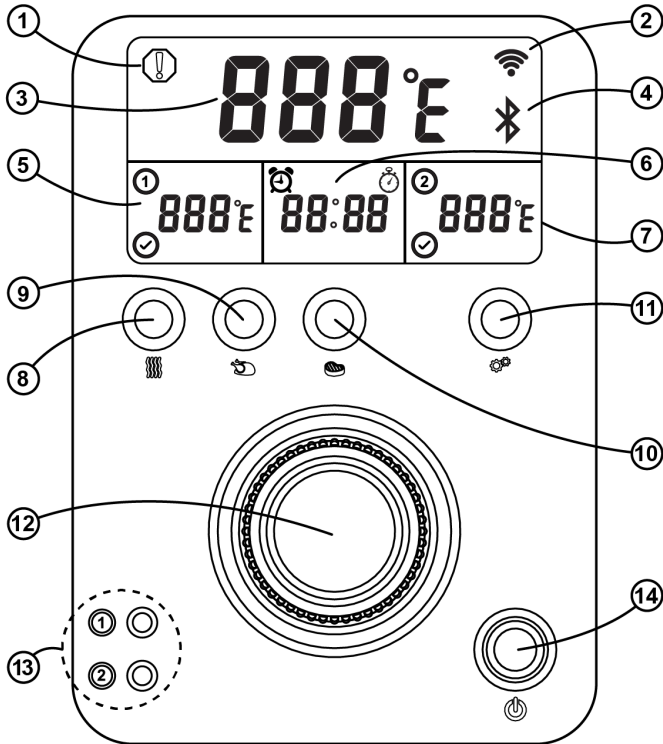
PARTES DE LA PARRILLA A GRÁNULOS BROIL KING®

1. Tapa
2. Caja de cocción
3. Chimenea
4. Ventilación de salida Roto-draft^{MR}
5. Estante lateral
6. Pata
7. Estante para calentar
8. Rejillas de cocción
9. Estante inferior
10. Panel de control
11. Bandeja para cenizas
12. Forro de aluminio de la bandeja para la grasa
13. Bandeja colectora de grasa
14. Agitador
15. Caldera
16. Alimentador
17. Parrilla
18. Ventilador del alimentador
19. Motor del alimentador
20. Tapa de la tolva
21. Tolva
22. Escotilla de limpieza de la tolva
23. Cable de alimentación
24. Rueda
25. Puerta de Acceso
26. Reflector de calor delantero/trasero
27. Canal recolector de grasa - Lateral
28. Canal recolector de grasa - Principal
29. Deflector de calor
30. Cubierta contra el calor
31. Sonda del termómetro
32. Motor del rostizador
33. Barra del rostizador
34. Elevador de rejillas Broil King®
35. Sonda Termómetro



CONTROL DIGITAL

Antes de utilizar la parrilla, es mejor familiarizarse con sus sistemas de control.



1. ÍCONO DE ADVERTENCIA

Indica una variación extrema de temperatura que podría indicar un fuego, falla de llama debido a poco combustible, interrupción o falla mecánica del alimentador (circuito abierto, falla del motor o del ventilador).

CUANDO SE ENCIENDA, VALLA DIRECTAMENTE AL ARTEFACTO Y DESENCHÚFELO DE LA FUENTE DE ALIMENTACIÓN SI FUERA NECESARIO.

2. CONECTADO A WIFI

Se enciende cuando la parrilla a gránulos está conectada a una red WiFi (solo 2.4ghz).

3. TEMPERATURA PRINCIPAL

Muestra la temperatura actual y la seleccionada en °F / °C

4. BLUETOOTH CONECTADO

Se enciende cuando la parrilla a gránulos está conectada a su dispositivo inteligente.

5. TEMPERATURA DE LA 1a SONDA PARA CARNE*

6. TEMPORIZADOR/CRONÓMETRO

7. TEMPERATURA DE LA 2a SONDA PARA CARNE*

8. BOTÓN PARA AHUMAR

Para una cocción lenta y a baja temperatura, este programa ajustará la temperatura a 225 °F / 107 °C**

9. BOTÓN PARA ROSTIZAR

Para rostizar y hornear, este programa ajustará la temperatura a 350 °F / 176 °C**

10. BOTÓN DE ASAR

Para cocción directa, este programa ajustará la temperatura a 600 °F / 315 °C** **BOTÓN DE AJUSTES** Presione el botón de AJUSTES la cantidad de veces que sea necesario de acuerdo con lo indicado a continuación para ajustar las siguientes funciones.

SONDA(S) DE TEMPERATURA PARA CARNE

- Presione el botón de AJUSTES una vez (1) para la sonda 1 y dos veces (2) para la sonda 2.
- Una vez que la sonda esté conectada, aparecerá la temperatura en la pantalla.
- Utilice el control de temperatura para seleccionar la temperatura interna de cocción y luego presione el control una vez para fijarla.
- El artefacto emitirá un pitido y aparecerá el tilde en la pantalla cuando se alcance la temperatura interna seleccionada.
*Nota: Cuando se alcance la temperatura interna seleccionada, se reducirá la temperatura de la parrilla para mantenerla a 225 °F (107 °C)

TEMPORIZADOR

- Presione el botón de AJUSTES tres veces (3).
- Utilice la perilla de control para seleccionar el tiempo del temporizador y luego presione el control una vez para fijarlo.

CRONÓMETRO

- Presione el botón de AJUSTES cuatro veces (4).
- Presione la perilla de control una vez para empezar
- Gire la perilla de control en sentido horario para detenerlo.
- Gire la perilla de control en sentido "contra horario" para volver a cero.

BRILLO DE LA PANTALLA

- Presione el botón de AJUSTES cinco veces (5).
- Utilice la perilla de control para seleccionar el brillo de la pantalla y luego presione el control una vez para fijarlo.

CAMBO DE UNIDADES DE TEMPERATURA °F / °C

- Mantenga presionado el botón de AJUSTES por 5 segundos para cambiar la parrilla a grados Fahrenheit o Celsius.

11. PERILLA DE CONTROL

Ajuste la temperatura en incrementos de 10 grados girando la perilla de control en sentido horario/contra horario. Presione la perilla de control una vez para seleccionar la temperatura.

Ajuste la temperatura en incrementos de 1 grado presionando la perilla de control y girándola en sentido horario/contra horario. Presione la perilla de control una vez para seleccionar la temperatura.

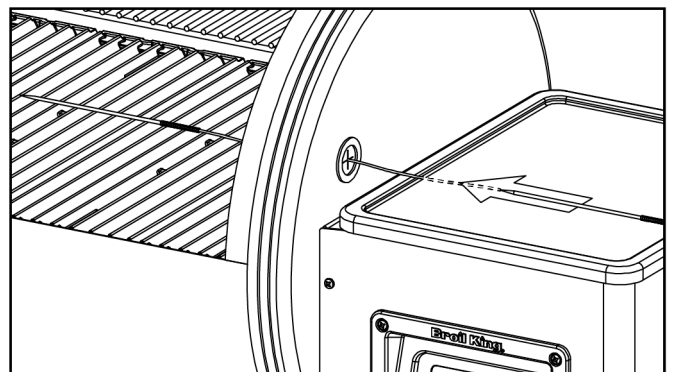
Nota: La pantalla volverá a mostrar la temperatura actual en °F / °C.

12. PUERTOS 1 Y 2 DEL TERMÓMETRO

13. BOTÓN DE ENCENDIDO

*Nota: El tilde encendido indica que se alcanzó la temperatura interna deseada.

** Nota: Espere que haya una variación de temperatura al alcanzar y mantener la temperatura deseada.



Sonda del termómetro pasando por el costado del ahumador.

PARA COMENZAR

Remueva las rejillas de cocción y la bandeja colectora de grasa, lávelas bien con agua tibia y jabón. Enjuáguelas bien y séquelas con una toalla suave. No las seque al aire y nunca las ponga en el lavavajillas.

ACONDICIONAMIENTO DE LAS REJILLAS DE COCCIÓN DE HIERRO FUNDIDO:

Recubra sus rejillas de cocción de hierro fundido con un aceite de cocina de alto punto de humo. Use una toalla de papel o un trapo para recubrir todas las superficies.

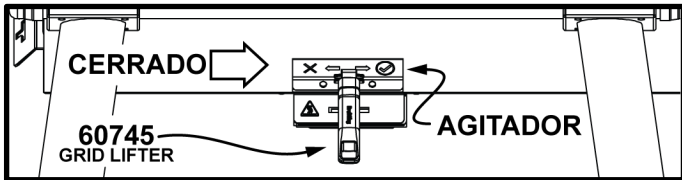
CEBADO DEL SISTEMA DE GRASA

La bandeja colectora de grasa de su parrilla a gránulos Broil King® ayuda a redireccionar el humo frío hacia arriba, hacia la cubierta contra el calor y la chimenea. Para cebar la bandeja de la grasa, agregue 1/2 taza [125 ml] de agua en la trampa de grasa vacía. Nota: A medida que utilice su parrilla, el agua será reemplazada por grasa.

"ACONDICIONAMIENTO" INICIAL

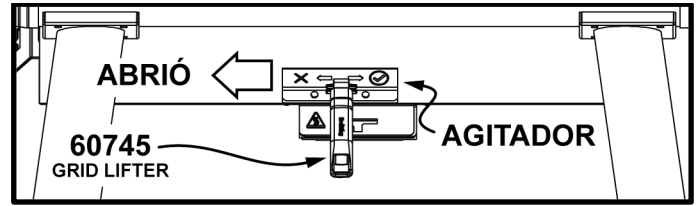
Antes de empezar a cocinar en su parrilla a gránulos Broil King® tiene que quemar los residuos protectores del proceso de fabricación.

1. Enchufe el cable de alimentación en un tomacorriente eléctrico correctamente conectado a tierra.
2. Inspeccione la tolva para gránulos y el alimentador antes de agregar gránulos para verificar que no haya ningún material extraño que pudiera interferir con el arranque. Verifique que el agitador esté en la posición de cerrado.



3. Agregue gránulos de madera marca Broil King® para obtener los mejores resultados. Nunca utilice gránulos de combustible para calentar.
4. Coloque el regulador de salida Roto-DraftMR en la posición 5 (completamente abiertos) para dejar que entre la mayor cantidad de aire posible y así encender el fuego.
5. Abra la tapa durante el precalentamiento por 10 minutos o hasta que el humo blanco se vuelva transparente.
6. Encienda la parrilla para activar el controlador. Luego de unos segundos, la parrilla entrará en el modo de encendido.
7. Ajuste el control de temperatura a 500 °F (260 °C). Nota: La parrilla tardará más de lo normal en calentar durante el acondicionamiento inicial ya que el alimentador deberá llenarse de combustible antes de poder encender la caldera. Cuando alcance la temperatura seleccionada, déjela funcionar por unos 15-20 minutos adicionales. Esto eliminará todo el recubrimiento protector del proceso de fabricación y comenzará a ahumar los componentes internos de la parrilla. Cuanto más use su parrilla a gránulos, mejor acondicionada estará.
8. Cuando la parrilla se haya enfriado, acondicione bien las rejillas de cocción rociándolas o untándolas aceite con alto punto de humo. Asegúrese de que toda la superficie esté abundantemente cubierta incluyendo las esquinas. En el caso de rejillas de cocción de hierro fundido, el acondicionamiento debe realizarse antes de cada uso.
9. Cuando termine de cocinar, use la escotilla ubicada en la parte de atrás de la tolva para gránulos para remover el exceso de combustible y guarde el combustible en un lugar seco de modo que esté listo para cuando lo vuelva a necesitar.
10. Limpie frecuentemente la bandeja colectora de grasa para reducir la posibilidad de que la grasa se prenda fuego. Consulte la sección "Mantenimiento" para mayor información.
11. Limpie la caldera con el agitador y remueva las cenizas de la bandeja frecuentemente para seguir obteniendo el máximo rendimiento. Cuando haya terminado de limpiar la

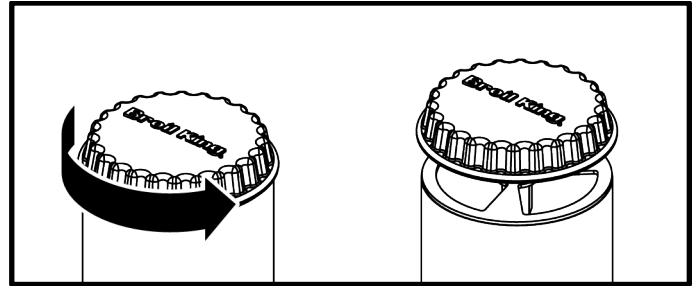
caldera, debe asegurarse de que el agitador esté en la posición de cerrado.



12. Nota: Su parrilla siempre comenzará con un ciclo de encendido y precalentamiento y terminará con un ciclo de apagado de 15 minutos.

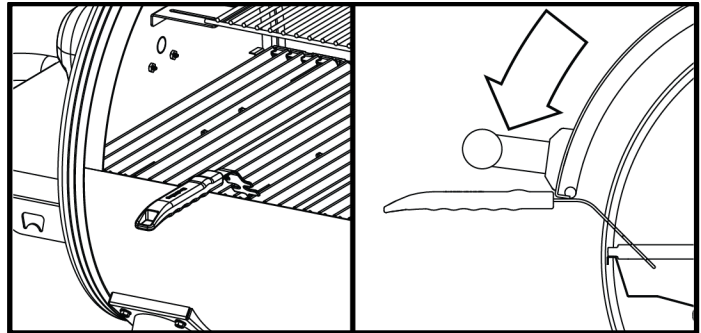
ENCENDIDO / PUESTA EN MARCHA

Abra la tapa del ahumador y asegúrese de que el regulador de la chimenea esté abierto.



Presione el botón de encendido con luz de la parrilla para activar el controlador. Luego de unos segundos, la parrilla entrará automáticamente en el ciclo de encendido y precalentamiento.

Precaliéntela a la temperatura deseada utilizando la perilla de control. Fije la temperatura deseada presionando la perilla. Escuchará un pitido y la temperatura seleccionada parpadeará durante tres segundos antes de volver a mostrar la temperatura actual. Si prefiere utilizar una temperatura pre-programada, presione los botones de AHUMAR, ROSTIZAR o ASAR. La tapa debe permanecer abierta durante los primeros 10 minutos de precalentamiento, o hasta que desaparezca el humo blanco. Puede utilizar el elevador de rejillas Broil King® (60745) para mantener la tapa abierta en una posición inferior cuando llueva o haya mucho viento.



PARA COCINAR

Una vez que el ciclo de precalentamiento haya terminado y haya alcanzado la temperatura deseada, coloque la comida dentro de la parrilla y cierre la tapa.

APAGADO

Presione el botón de encendido con luz de la parrilla para desactivar el controlador. Luego de unos segundos, la parrilla entrará automáticamente en el ciclo de apagado (15 minutos). Una vez que la parrilla se haya enfriado completamente, desenchúfela y remueva las cenizas de la caldera usando el agitador. Limpie la bandeja de la grasa. Vacíe la tolva de gránulos usando la trampa. Para obtener los mejores resultados de cocción, guarde los gránulos en un lugar fresco y seco cuando no los utilice.

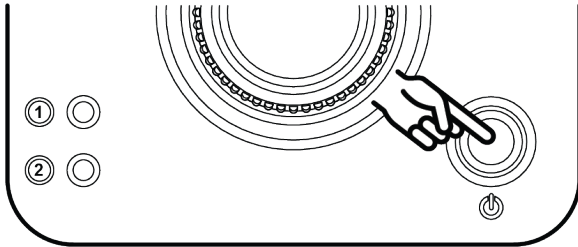
APP DE LA PARRILLA

Su parrilla a gránulos Broil King® puede controlarse desde su dispositivo inteligente. Conecte su dispositivo inteligente a la parrilla a gránulos mediante Bluetooth o su red WIFI.

CONFIGURACIÓN DE LA APP

ENCIENDA LA PARRILLA A GRÁNULOS

- Enchufe el cable de alimentación en un tomacorriente eléctrico correctamente conectado a tierra.
- Presione el botón de encendido con luz de la parrilla para activar el controlador.



DESCARGA E INSTALACIÓN

- En el dispositivo inteligente, descargue la APP "Broil King Pellet Controller".



CREE UNA CUENTA

- Cuando inicie la aplicación por primera vez, se le pedirá que cree una cuenta
- La cuenta proporciona seguridad para su aplicación y para la parrilla a gránulos Broil King®.
- También puede registrarse usando su cuenta de Facebook o Google+.
- Recibirá un correo electrónico una vez que haya completado el proceso de registro.

AGREGUE LA ZONA

- Después de crear una cuenta, su próximo paso es crear una zona. Una zona es el área donde se ubica su parrilla, según el GPS de su dispositivo. Verifique la dirección que aparece en la pantalla para ver si es correcta. Modifíquela si fuera necesario.
- Por ejemplo, si tiene una parrilla en su casa, puede llamar "Casa" a su zona.
- Ingrese el nombre de su zona y luego seleccione "Guardar zona".

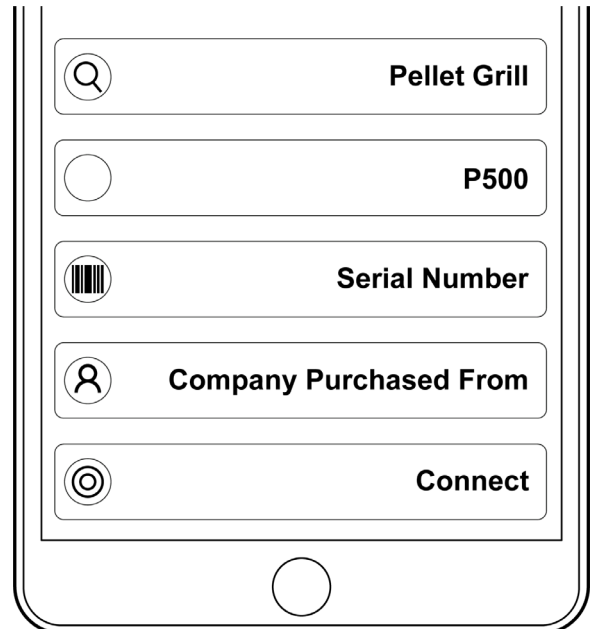
POLÍTICA DE PRIVACIDAD

- Lea la Política de privacidad y seleccione Aceptar o no.
- Para continuar usando la aplicación, deberá aceptar la política de privacidad.
- Si selecciona que no, será redirigido nuevamente a la pantalla Zona.

CONECTÁNDOSE AL BLUETOOTH DE LA PARRILLA

- Una vez que la aplicación esté configurada, es el momento de conectarse a su parrilla.
- Asegúrese de que la función Bluetooth de su dispositivo inteligente esté activada.
- Seleccione la zona tocando el nombre de la zona.
- Después de seleccionar la zona, toque el icono (+) en la esquina superior derecha para agregar la parrilla.
- La aplicación buscará su parrilla.

- Cada parrilla a gránulos Broil King® tendrá un código único de controlador que solo se muestra al conectar la parrilla en la aplicación.
- Ingrese un nombre para su parrilla.
- Ingrese el número de serie.
- Ingrese el nombre de la empresa donde compró su parrilla (opcional).
- Toque (Connect).
- La parrilla debe emitir un pitido y mostrar el logotipo de Bluetooth en la pantalla del controlador de la parrilla



CONECTÁNDOSE AL WIFI DE LA PARRILLA

- Tenga a mano el nombre y la contraseña de su WiFi.
- Toque el icono de configuración WiFi en la esquina inferior derecha de la aplicación.



- Ingrese el nombre de su WiFi.
- Ingrese su contraseña de WiFi.
- Puede seleccionar "Mostrar" para ver si la contraseña es correcta.
- Seleccione "Conectar" para establecer la conexión Wifi.
- Una vez que esté conectado, aparecerá el icono de Wifi en la pantalla del controlador de la parrilla.

Notas:

- Solamente un usuario puede estar conectado a la parrilla a gránulos Broil King® en todo momento.
- Si su dispositivo inteligente se mueve fuera del alcance del Bluetooth de la parrilla, la parrilla continuará funcionando sin la aplicación conectada. La conexión solo cambiará al modo WiFi si la parrilla ha estado conectada previamente a una red WiFi.
- El ajuste manual de la parrilla siempre tendrá prioridad sobre los comandos de la App.

***Requisitos del software:** iOS® 7 (o superior) o Android™ 4.3 (o superior)



Gránulos Broil King® de alta calidad para parrilla

El asado perfecto comienza con el tipo correcto de combustible. Los gránulos Broil King® de alta calidad para parrilla están especialmente diseñados para funcionar con las parrillas Broil King® a gránulos de la serie Smoke. Nuestros gránulos son 100% naturales y contienen solamente madera de alta calidad, sin rellenos, sin aditivos de aceite, sin agentes aglutinantes. Estos gránulos se queman a mayor temperatura y de manera más eficiente para proporcionar un rendimiento y un sabor de cocción óptimos.

CUIDADO

Siempre almacene los gránulos de madera en un lugar seco, lejos de aparatos que produzcan calor y de otros recipientes de combustible.

63920 - Gránulos 100% de nogal

El sabor más característico de la parrilla.

El nogal brinda un fuerte gusto ahumado, a menudo asociado con el tocino con el jamón ahumado. Este robusto humo funcionará bien con cortes grandes de carne. Pruébelo con: Res, aves, cerdo, verduras sustanciosas

Mezclas de Alta Calidad

Nuestras maderas se mezclan antes de granularlas, asegurando que cada gránulo contenga la mezcla esperada. Este método permite un rendimiento de cocción más repetitivo con un quemado y un sabor ahumado consistentes, comparado con una mezcla aleatoria de gránulos de distintas especies, los que pueden brindar un rendimiento de cocción y un sabor inconsistentes. Nuestros gránulos de alta calidad son el ingrediente fundamental de su próximo asado. Fíjese en estas variedades de gránulos:

63930 - Mezcla de gránulos "Smoke Master's"

Maple / Nogal / Cerezo

Una selección de maderas popular entre los campeones de competencias de parrilladas. Esta mezcla ofrece toques de dulzura combinados con un ahumado intenso de nogal. Agrega un gusto ahumado bien balanceado a las comidas asadas. Pruébelo con: Res, aves y cerdo.

63939 - Mezcla de gránulos "Griller's Select"

Maple / Roble / Cerezo

Esta mezcla de gránulos ofrece un ahumado más liviano y levemente dulce, diseñado para no ser más intenso que los sabores naturales. Una excelente opción como gránulos para asar todos los días. Pruébelo con: Res, aves, cerdo, pescado, verduras, pizza.

Nota: Si bien el uso de gránulos de madera para parrillas que no sean de la marca Broil King® no anulará su garantía, la parrilla para gránulos Smoke^{MR} de Broil King® está calibrada específicamente para usar los gránulos premium para parrillas de Broil King®. Usar otras marcas de gránulos puede afectar la temperatura y el tiempo.

Ahumado: Menos de 275°F (135°C)

Esta clásica forma de asar utiliza cocción de cortes grandes de carne a bajas temperaturas (menos de 275 °F (135 °C)) durante relativamente mucho tiempo (normalmente más de 4 horas). Los gránulos Broil King® de alta calidad para parrilla impregnan las carnes y otras cosas que se cocinan lentamente con sabor a asado ahumado y brinda resultados increíblemente tiernos.

Asado: 350°F a 400°F (176°C a 205°C)

También conocido como cocción indirecta, es parecido al ahumado. El asado ahumado es una versión acelerada del mismo principio. Funciona bien con cortes de carne, pollo y otras cosas más convencionales que normalmente se cocinan al horno. La combinación de ahumado y tiempo de cocción crea un gran sabor en menor tiempo que el ahumado verdadero. El rostizado por convección junto con las temperaturas de asado brinda resultados increíbles (ver la página?).

Asado directo: 400°F (205°C) o más

Este es el método tradicional de cocinar a la parrilla en el jardín. Ideal para cortes pequeños como filetes, chuletas, hamburguesas, verduras. El alto calor sella el exterior mientras se cocina el interior.

Por mayor información, visite www.broilkingbbq.com

GUÍA DE TEMPERATURA DE LAS CARNES			
	POCO HECHA	MED	BIEN HECHA
RES / CORDERO / TERNERA	130 °F / 55 °C	146 °F / 63 °C	160 °F / 70 °C
CERDO		150 °F / 65 °C	170 °F / 77 °C
AVES			170 °F / 77 °C
HAMBURGUESA			160 °F / 70 °C

PARA OBTENER LOS MEJORES RESULTADOS, UTILICE UN TERMÓMETRO PARA CARNES

GUÍA PARA ASAR EL FILETE PERFECTO

COLOQUE EL FILETE EN ÁNGULO SOBRE LA PARRILLA CALIENTE.





DELE VUELTA COMO SE INDICA A CONTINUACIÓN.

VUELVA A DAR VUELTA Y A ROTAR EL FILETE.

VUELVA A DAR VUELTA EL FILETE UNA VEZ MÁS.

Espesor de la carne		Ajuste de Calor	Tiempo por cada lado				Tiempo total
1 1/2"	1"		A	B	C	D	
	Poco hecho	Alto	1 3/4	1 3/4	1 3/4	1 3/4	7 minutos
Poco hecho	Jugoso	Medio/Alto	2	2	2	2	8 minutos
Jugoso	Medium	Medio/Alto	2 1/4	2 1/4	2 1/4	2 1/4	9 minutos
Mediano	Bien hecho	Mediano	2 1/2	2 1/2	2 1/2	2 1/2	10 minutos
Bien hecho		Mediano	3	3	3	3	12 minutos

TIEMPOS DE COCCIÓN Y TEMPERATURAS

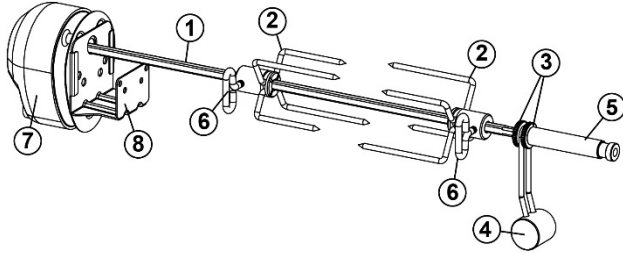
	DESCRIPCIÓN	AJUSTE	TEMP. DE COCCIÓN	TIEMPO DE COCCIÓN	TEMP. FINAL
	Costillar corto	AHUMAR	225 °F (107 °C)	5 horas	130 °F (54 °C)
	Lomo 3 a 4 lb (1,36 a 1,81 kg)			2,5 a 3 horas	130 °F (54 °C) para término medio
	Pechito de res (desmenuzado) 8 a 12 lb (3,63 a 5,44 kg)			1,5 horas por lb (3,3 horas por kg)	205 °F (96 °C)
	Pechito de res (rebanadas gruesas) 8 a 12 lb (3,63 a 5,44 kg)			1,5 horas por lb (3,3 horas por kg)	195 °F (90 °C)
	Pechito de res (rebanadas finas) 8 a 12 lb (3,63 a 5,44 kg)	1,5 horas por lb (3,3 horas por kg)	185 °F (85 °C)		
	Filete de costilla	ROSTIZAR	350 °F (176 °C)	15 minutos por lb (33 minutos por kg)	130 °F (54 °C) para término medio
	Punta de solomillo			8 horas	130 °F (54 °C) para término medio
	Bife*	ASAR	600 °F (315 °C)		130 °F (54 °C) para término medio
Hamburguesas*				160 °F (71 °C)	
	Pollo (en cuartos)	ROSTIZAR	350 °F (176 °C)	1 a 2 horas	170 °F (77 °C)
	Pollo (muslos)			1,5 horas	170 °F (77 °C)
	Pollo (entero) 2,5 a 3,5 lb (1,13 a 1,58 kg)			2 a 2,5 horas	170 °F (77 °C)
	Pollo (entero) 3,5 a 4,5 lb (1,59 a 2,04 kg)			2 a 3 horas	170 °F (77 °C)
	Pollo (alas)			1,25 horas	170 °F (77 °C)
	Pechuga de pollo 5 a 8 oz (0,14 a 0,23 kg)			1 a 2 horas	170 °F (77 °C)
	Pavo (patas)			2 a 3 horas	170 °F (77 °C)
	Pavo (entero) 10 a 12 lb (4,54 a 5,44 kg)			2,5 a 3 horas	170 °F (77 °C)
				Pescado (entero) 4 a 6 lb (1,81 a 2,72 kg)	AHUMAR
Langosta (al vapor)		15 minutos/lb	Al gusto		
Camarones (al vapor)		15 minutos/lb	Al gusto		
	Costillas (costillitas) 1,5 a 2,5 lb (2,72 a 1,13 kg)	AHUMAR	225 °F (107 °C)	5 horas	160 °F (71 °C)
	Costillas (costillares) 2,5 a 3,5 lb (1,13 a 1,63 kg)			5 a 7 horas	160 °F (71 °C)
	Colita de cerdo (desmenuzada) 8 a 8 lb (2,72 a 3,63 kg)			1,5 horas por lb (3,3 horas por kg)	205 °F (96 °C)
	Colita de cerdo (rebanada) 6 a 8 lb (2,72 a 3,63 kg)			1,5 horas por lb (3,3 horas por kg)	170 °F (77 °C)
	Chuletas de cerdo			1,5 horas por lb (3,3 horas por kg)	160 °F (71 °C)
	Corona de cerdo asado 8 a 10 lb (3,63 a 4,54 kg)			1,5 horas por lb (3,3 horas por kg)	155 °F a 165 °F (68 °C a 74 °C)
	Lomo de cerdo 8 a 10 lb (3,63 a 4,54 kg)			4 a 6 horas	160 °F (71 °C)
	Salchicha de cerdo 1,5" a 2,5" (3,8 a 6,4 cm) de diám.			1 a 3 horas	165 °F (74 °C)
	Paleta de cerdo (desmenuzada) 6 a 10 lb (2,72 a 4,54 kg)			8 a 12 horas	205 °F (96 °C)
	Paleta de cerdo (rebanada) 6 a 10 lb (2,72 a 4,54 kg)			5 a 8 horas	175 °F (79 °C)
	Lomo de cerdo 1,5 a 2,5 lb (2,72 a 1,13 kg)			2,5 a 3 horas	160 °F (71 °C)
	Jamón (con hueso)			1,5 horas por lb (3,3 horas por kg)	160 °F (71 °C)

TÉCNICAS DE COCCIÓN

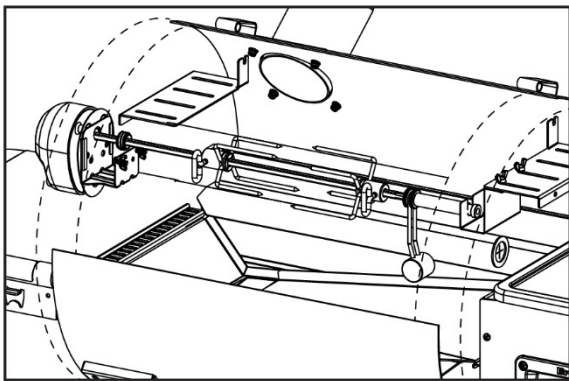
ROSTIZADO POR CONVECCIÓN

Este método es ideal para cocinar trozos grandes de carne como asados o aves. Los alimentos se cocinan con el aire caliente que circula alrededor de la carne.

- El rostizador tiene capacidad de hasta 15 lb (7 Kg) de carne con el factor limitante del espacio necesario para hacerla girar. Para obtener los mejores resultados, la carne debe centrarse en la línea central de la barra para eliminar desbalances.
- Sujete firmemente la carne a la barra antes de colocarla en la parrilla a gas. Cuando ase aves, asegure bien las alas y los muslos.



- | | |
|----------------------------|---------------------------|
| 1. Barra del rostizador | 2. Pinches del rostizador |
| 3. Arandela del rostizador | 4. Contrapeso |
| 5. Cojinete | 6. Tornillo de fijación |
| 7. Motor del rostizador | 8. Soporte |

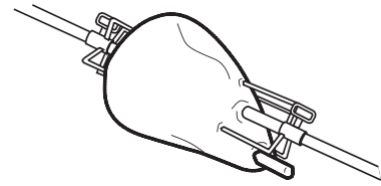


CONTRAPESO DEL ROSTIZADOR

1. Afloje el cojinete de la barra para que el contrapeso pueda girar libremente.
2. Coloque la barra del rostizador en las ranuras de soporte. Deje que el lado más pesado de la carne rote hacia abajo.
3. Ajuste el contrapeso en la parte de arriba de la barra, en el lado opuesto al lado más pesado de la carne.
4. Ajuste el cojinete de la barra. Verifique periódicamente que la carne rote suavemente mientras se cocina. Vuelva a ajustar el contrapeso si fuera necesario.

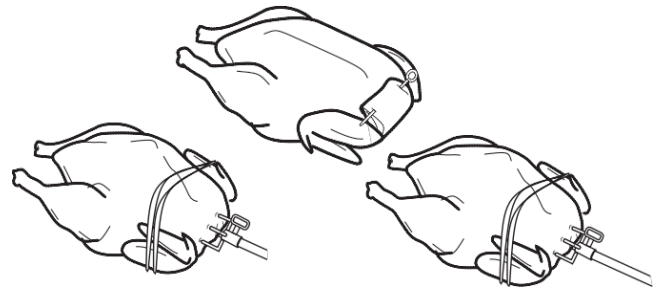
ATENCIÓN: Utilice guantes para horno cuando ajuste el contrapeso del rostizador.

CÓMO USAR UNA BARRA PIERNA DE CORDERO



1. Corte 3 pulgadas del hueso en el extremo pequeño de la pierna.
2. Deje carne alrededor del hueso para formar un pliegue.
3. Coloque un pinche en la barra.
4. Doble el pliegue hacia arriba y pase la barra a través del mismo y de la pierna.
5. Coloque el segundo pinche en la barra y clavarlos en ambos extremos de la pierna. Verifique que quede balanceada. Ajuste los tornillos.

CÓMO USAR UNA BARRA - AVES



1. Con la pechuga hacia abajo, tire de la piel hacia arriba sobre la cavidad.
2. Gire los extremos inferiores de la piel, coloque el pinche en la piel de la parte de atrás.
3. Enrolle el hilo alrededor del pinche y átelo.
4. Gire la pechuga hacia arriba, ate o pinche las alas al cuerpo.
5. Coloque un pinche en la barra. Inserte la barra en la piel del cuello, paralela a la columna vertebral, haciendo que salga por encima de la cola.
6. Coloque el segundo pinche en la barra y clávelos en la pechuga y en la cola. Verifique que quede balanceada. Ajuste los tornillos.
7. Ate la cola a la barra con hilo. Cruce los muslos y átelos a la cola.

RECETAS

COSTILLAS A LA PARRILLA

- 2 cucharadas de azúcar negra
- 1 cucharadita de sal gruesa
- 1 cucharadita de pimienta negra molida
- 1 cucharada de comino
- 2 cucharaditas de mostaza en polvo
- 2 cucharaditas de p prika
- 2 cucharadas de aj  molido
- 1 cucharadita de sal de cebolla
- 1 cucharadita de sal de apio
- 1 cucharadita de ajo en polvo
- 1 cucharada de or gano

*Prueba el Broil King® The Perfect BBQ Spice Rub™ (#50975) o The Perfecto KC BBQ Rub™ (#50978) para obtener resultados fant sticos.

POLLO AHUMADO

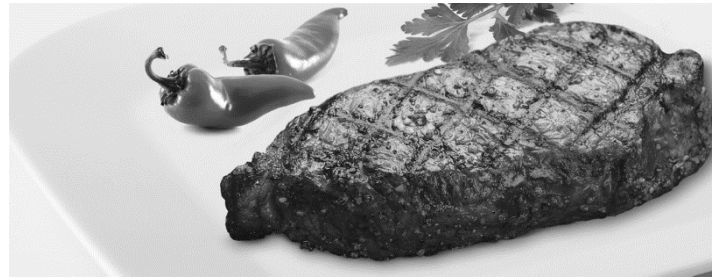
- Precaliente la parrilla con el ajuste "Ahumado" (225°F/107°C)
- 1 pollo entero, trozado o pedazos de pollo (muslos, alas, patas)
- Friegue los trozos de pollo con salsa BBQ y d jelos reposar durante 30 minutos
- Acomode el pollo en las rejillas de cocci n
- Coc nelo durante 1 hora
- Aumente el calor en la parrilla con el ajuste "Rostizar" (350 °F / 176 °C)
- Coc nelo durante 1-2 horas hasta que la temperatura interna alcance los (165 °F / 74 °C)
- T pelo y d jelo reposar por 10 minutos
- S rvalo y disfr telo

COSTILLAS

- Precaliente la parrilla con el ajuste "Ahumado" (225°F/107°C)
- 4 tiras de costillas de cerdo
- Remueva la membrana de las costillas
- Condim ntelas bien con salsa BBQ
- Agregue una bandeja de agua con jugo de manzana en el ahumador (si lo desea)
- Acomode las costillas en las rejillas de cocci n
- Coc nelas durante 4 horas o hasta el punto de cocci n deseado
- Si lo desea, saque las costillas de la parrilla, env lvalas en papel de aluminio y d jelas reposar por 30 minutos. Suba el calor de la parrilla a (350 °F / 176 °C)
- Vuelva a colocar las costillas en la parrilla, p ngales salsa BBQ en ese momento y coc nelas 10 minutos m s
- S quelas del ahumador, t pelas y d jelas reposar por 10 minutos
- S rvalas y disfr telas

PUERCO DESMENUZADO

- Precaliente la parrilla con el ajuste "Ahumado" (225°F/107°C)
- 4 - 5 lb de paleta de cerdo (los cortes m s peque os normalmente se llaman Boston Butt o Picnic Shoulder)
- Condim ntelas bien con salsa BBQ
- Coloque la paleta de cerdo en las rejillas de cocci n
- Coc nelo durante 1 hora por libra hasta que la temperatura interna alcance por lo menos los (185 °F / 85 °C)
- S quelo del ahumador, env lvalo con papel de aluminio y d jelo reposar por 30 minutos
- P quelo con la S per Esp tula de Broil King® (#64011) o desmen celo con las Garras para Carne Broil King® (#64070)
- Agr guele salsa al gusto



INGREDIENTES PARA ASAR EL FILETE PERFECTO*

- 4 filetes (preferentemente New York Strip), de 1" de espesor
- 2 dientes de ajo, picados o pisados
- 2 cucharadas de salsa inglesa
- 2 cucharadas de vinagre bals mico
- 2 cucharaditas de mostaza de Dijon
- 2 cucharadas de salsa de soja
- 2 cucharadas de aceite de oliva

*Pruebe la "Perfect Steak Marinade" de Broil King® (#50990) por una forma r pida y deliciosa de marinar filetes y otras carnes asadas.

PREPARACI N DE LOS FILETES

Quitar el exceso de grasa de los filetes. Combinar el resto de los ingredientes en una bolsa pl stica resistente que se pueda sellar. Marinar los filetes por 1 hora a temperatura ambiente o hasta 24 horas en el refrigerador. Si est n refrigerados, llevar los filetes a temperatura ambiente media hora antes de asarlos para que se cocinen m s parejos.

CONSEJOS PARA UN ASADO PERFECTO

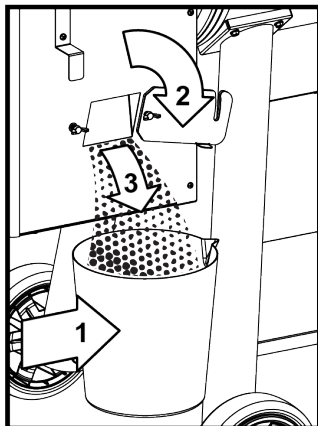
- A. Cepille las rejillas con aceite de cocina de alto punto de humo y precaliente la parrilla usando el ajuste "ASAR" (600 °F/315 °C). Coloque la comida en la parrilla a un  ngulo de 45 grados y coc nela el tiempo que indica el cuadro de la p gina.
- B. D  vuelta el filete y coc nelo nuevamente a los mismos 45 grados.
- C. D  vuelta el filete y coc nelo a 45 grados opuestos.
- D. Finalmente, d  vuelta el filete y coc nelo a los mismos 45 grados.
(Consulte la gu a para asar el filete perfecto en la p gina 31)



MANTENIMIENTO

LIMPIEZA DE LA TOLVA PARA GRÁNULOS

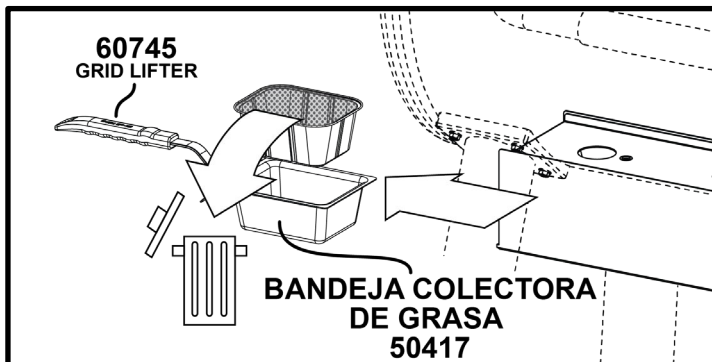
Su parrilla a gránulos Broil King® tiene un sistema de limpieza de la tolva diseñado para facilitar la remoción del exceso de combustible, para poder cambiar rápidamente el sabor de los gránulos o para limpiar el resto de los gránulos después de cada uso.



1. Coloque un recipiente debajo de la escotilla.
2. Abra la escotilla.
3. Recolecte los gránulos.
4. Cerrar la escotilla y asegurar.

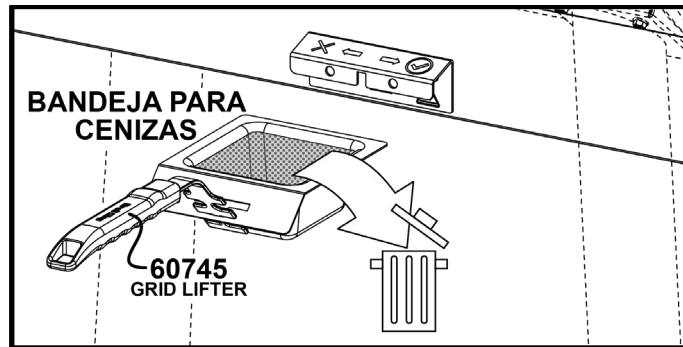
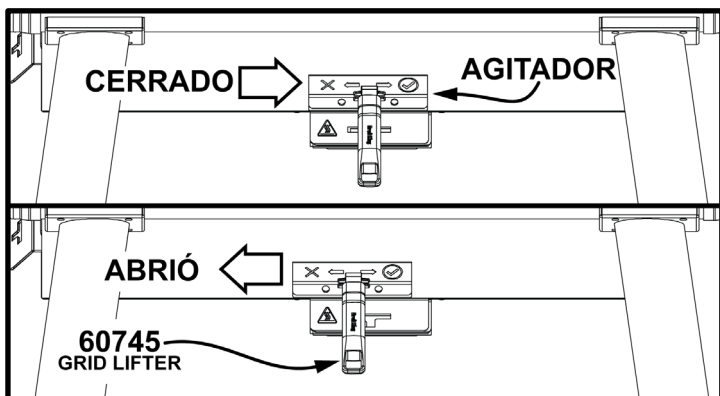
Limpieza de la grasa

Los fogonazos de grasa son ocasionados por no mantener correctamente la parrilla y no limpiar el sistema de manejo de la grasa con frecuencia. En caso de que se produzca un fogonazo de grasa mientras cocine, apague y desenchufe el artefacto y mantenga la tapa cerrada hasta que la llama se haya apagado completamente. Nunca mantenga la tapa abierta durante un fogonazo de grasa.



LIMPIEZA DE LA CENIZA

Luego de cada uso, espere a que la parrilla se enfríe completamente antes de remover y vaciar la bandeja de las cenizas. El primer paso es abrir el agitador hacia la posición de destrabado indicada en la cubierta. Puede deslizar el agitador entre las posiciones de trabado y destrabado para ayudar a que las cenizas caigan en la bandeja. Solamente deseche las cenizas que estén completamente frías y apagadas.



Vuelva a colocar el agitador en la posición de trabado antes de volver a utilizar la parrilla.

DESECHO DE LAS CENIZAS

Las cenizas se deben colocar en un recipiente de metal con una tapa hermética. El recipiente cerrado de cenizas debe colocarse sobre un piso no combustible o en el suelo, bien alejado de todos los materiales combustibles, hasta su desecho final. Si las cenizas se desechan enterrándolas en el suelo o se dispersan localmente, deben conservarse en el recipiente cerrado hasta que todas las brasas se hayan enfriado completamente.

CUIDADO Y MANTENIMIENTO

La parrilla a gránulos Broil King® le brindará muchos años de excelente servicio con un mínimo de cuidado. El proceso de acondicionamiento ayudará a preservar los componentes internos de acero. Use un cepillo de acero inoxidable para limpiar las rejillas de cocción y los componentes que estén manchados.

Puede necesitar limpiar y volver a acondicionar sus rejillas de cocción. Cepíllelas bien con un cepillo de acero inoxidable para parrilla Broil King® (#64014) para remover toda la suciedad y recúbrelas en una fina capa de aceite de cocina de alto punto de humo. Luego coloque las rejillas de cocción dentro de su parrilla y caliéntela a 400 °F (205 °C) durante 1 hora. Repita estos pasos como fuera necesario. Este recubrimiento de aceite protegerá sus rejillas de cocción y le brindará años de uso sin problemas.

Limpie el exterior con agua tibia jabonosa.

Para limpiar el interior, utilice un cepillo de alambre para parrillas Broil King® (#65641) para remover la suciedad de la caja de cocción. La capa de ahumado que se acumula dentro del ahumador (acondicionamiento) sirve de protección y no hace falta limpiarla periódicamente.

Mantenga siempre su parrilla a gránulos Broil King® tapada cuando no la use. Utilice la cubierta Broil King® #67069 para el modelo Regal Pellet 500 (#496051) o la cubierta #67065 para el modelo Regal Pellet 400 (#495051)



GARANTÍA

GARANTÍA Y SERVICIO AL CLIENTE

La Garantía de Onward Manufacturing Company Ltd. (OMC) es válida a partir de la fecha de compra y está limitada a reparaciones o reemplazos de partes sin costo alguno de componentes defectuosos en condiciones normales de uso doméstico.

En Canadá y Estados Unidos, el reemplazo se realiza FOB en la fábrica.

En todos los demás países, el reemplazo es FOB al distribuidor OMC. (Contacte a su proveedor para conocer el nombre de su distribuidor OMC).

Todos los demás costos son responsabilidad del dueño.

Esta garantía se le otorga únicamente al comprador original como se indica en el registro de garantía y es válida únicamente para productos de venta al por menor y solo cuando tales productos son utilizados exclusivamente en el país donde los compró.

LO QUE ESTÁ CUBIERTO:

Caja de cocción con recubrimiento para alta temperatura	5 años
Parrillas de Acero Inoxidable	5 años
Parrillas de Hierro Fundido	3 años
Control Digital y componentes	3 años
El resto de las partes y la pintura	3 años

LO QUE NO ESTÁ CUBIERTO:

- Cualquier falla o problema de funcionamiento debido a un accidente, uso indebido o incorrecto, alteración, uso para otros fines, vandalismo, instalación incorrecta o mantenimiento o reparación inadecuados, o el incumplimiento del mantenimiento de rutina, tal como se especifica en el manual del propietario.
- Deterioro o daños debidos a condiciones meteorológicas severas, como granizo, huracanes, terremotos o tornados, decoloración debido a exposición a productos químicos ya sea directamente o en el ambiente.
- Costos de envío o transportación.
- Costos de devolución o reinstalación.
- Costo de mano de obra por reinstalación o reparaciones.
- Costo de llamadas de servicios técnicos.
- Responsabilidad por daños indirectos o consiguientes.

PARTES DE REPUESTO:

Para los reemplazos, siempre debe utilizar "Partes auténticas de reemplazo de OMC". El uso de cualquier otra parte anulará automáticamente la garantía descrita anteriormente.

RECLAMOS DE GARANTÍA:

Toda la garantía es manejada directamente por OMC. Las partes deben devolverse al Departamento de Garantía de OMC, previo pago anticipado de los costos de envío, acompañado del Número del modelo, Número de serie, y si su parrilla no está registrada, la constancia de compra (copia del recibo de compra o factura). Si la inspección confirma el defecto, OMC reparará o reemplazará dicha parte de acuerdo con los términos de la garantía. Al recibir la carta o fax (no por teléfono) puede que OMC, a su criterio, no requiera la devolución de la(s) parte(s).

CONTACTO EN AMÉRICA DEL NORTE:

1-800-265-2150

www.broilkingbbq.com

info@omcbbq.com

585 Kumpf Dr.

Waterloo, Ontario, Canadá

N2V 1K3

FUERA DE AMÉRICA DEL NORTE:

La garantía anterior es gestionada por el distribuidor de OMC en su país. Llame a su proveedor para conocer el nombre de su distribuidor OMC.