

Broil King®

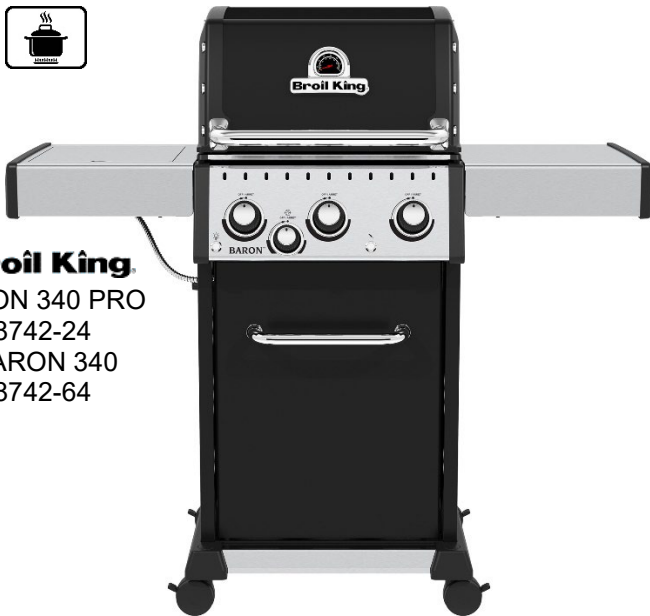
ASSEMBLY MANUAL & PARTS LIST - MANUEL DE MONTAGE & LISTE DE PIÈCES



Broil King.
BARON 320 PRO
8742-14
BARON 320
8742-54



Broil King.
BARON S 320 PRO
8743-14
BARON S 320
8743-54



Broil King.
BARON 340 PRO
8742-24
BARON 340
8742-64



Broil King.
BARON S 340 PRO
8743-24
BARON S 340
8743-64


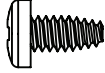
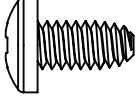
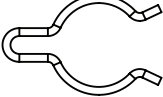
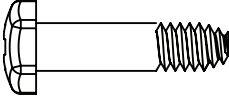

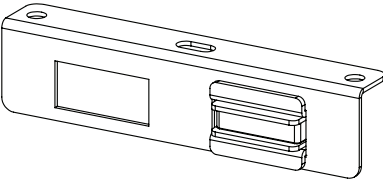
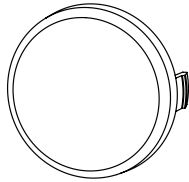
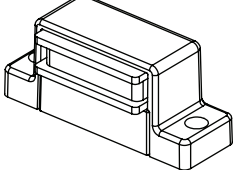
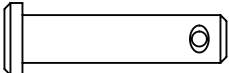
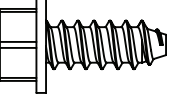
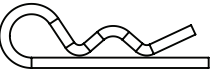

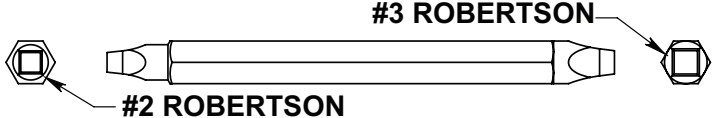

RETAIN FOR FUTURE REFERENCE - VEUILLEZ CONSERVER POUR REFERENCE ULTERIEURE

Onward
MANUFACTURING COMPANY
SINCE 1906
585 KUMPF DRIVE LIMITED
WATERLOO, ONTARIO, CANADA
N2V 1K3

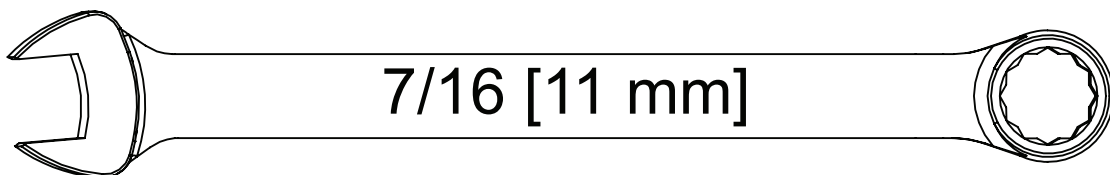
info@omcbbq.com
1-800-265-2150

50084-E60 REV K 03/24

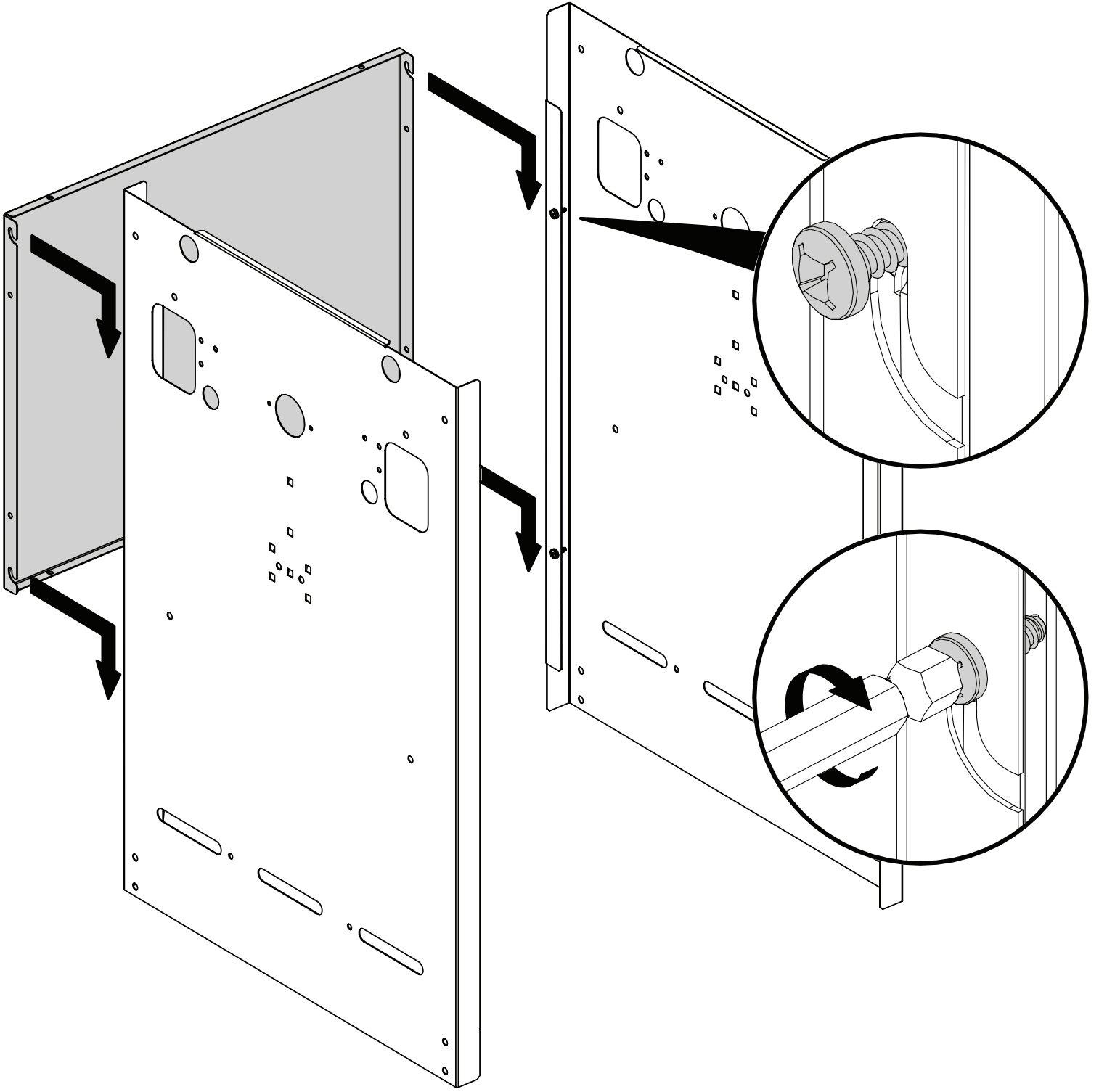
HARDWARE INCLUDED / MATERIAL INCLUS

S21124		(8)	Y-29304		(2)
Y-12865		(8)	Y-11230		(1)
Y-11551		(1)	Y-12124		(1)
56039-214B		(1)	32001-151		(4)
Y-12234		(1)	S21235		(2)
S21084		(8)	S21233		(2)
S21125		(2)	 <p>#3 ROBERTSON</p> <p>#2 ROBERTSON</p>		
20005-000					(1)

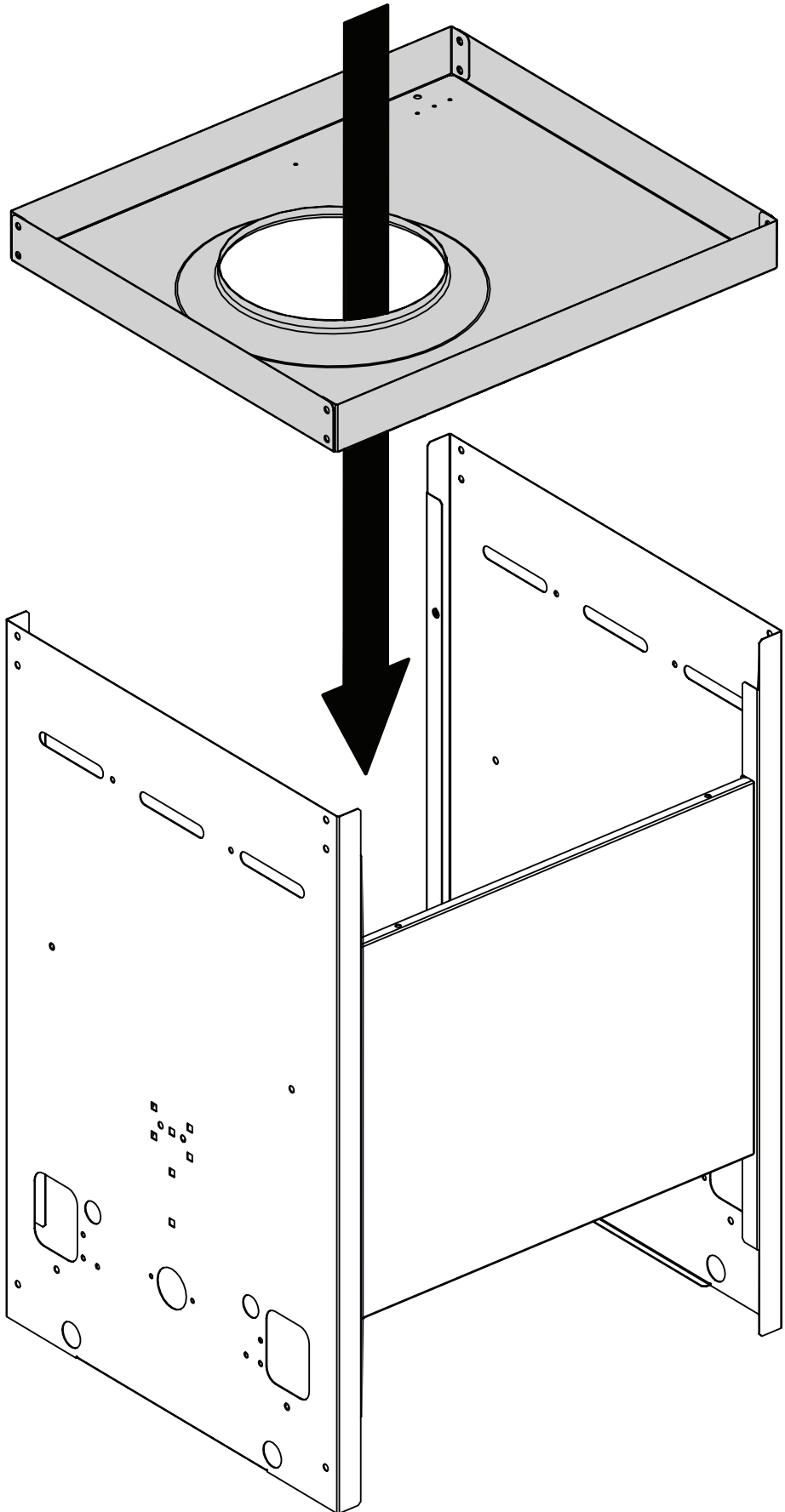
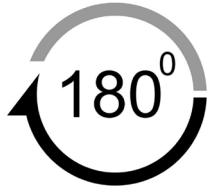
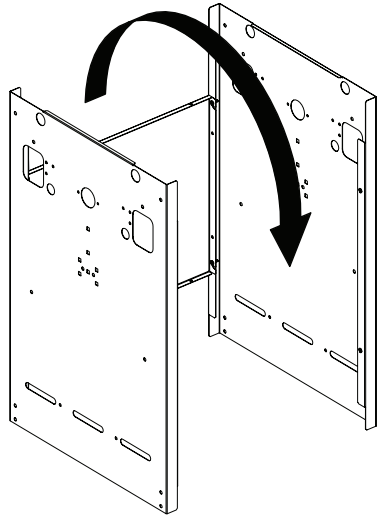
TOOLS REQUIRED / OUTILS NECESSAIRES



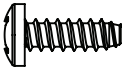
1

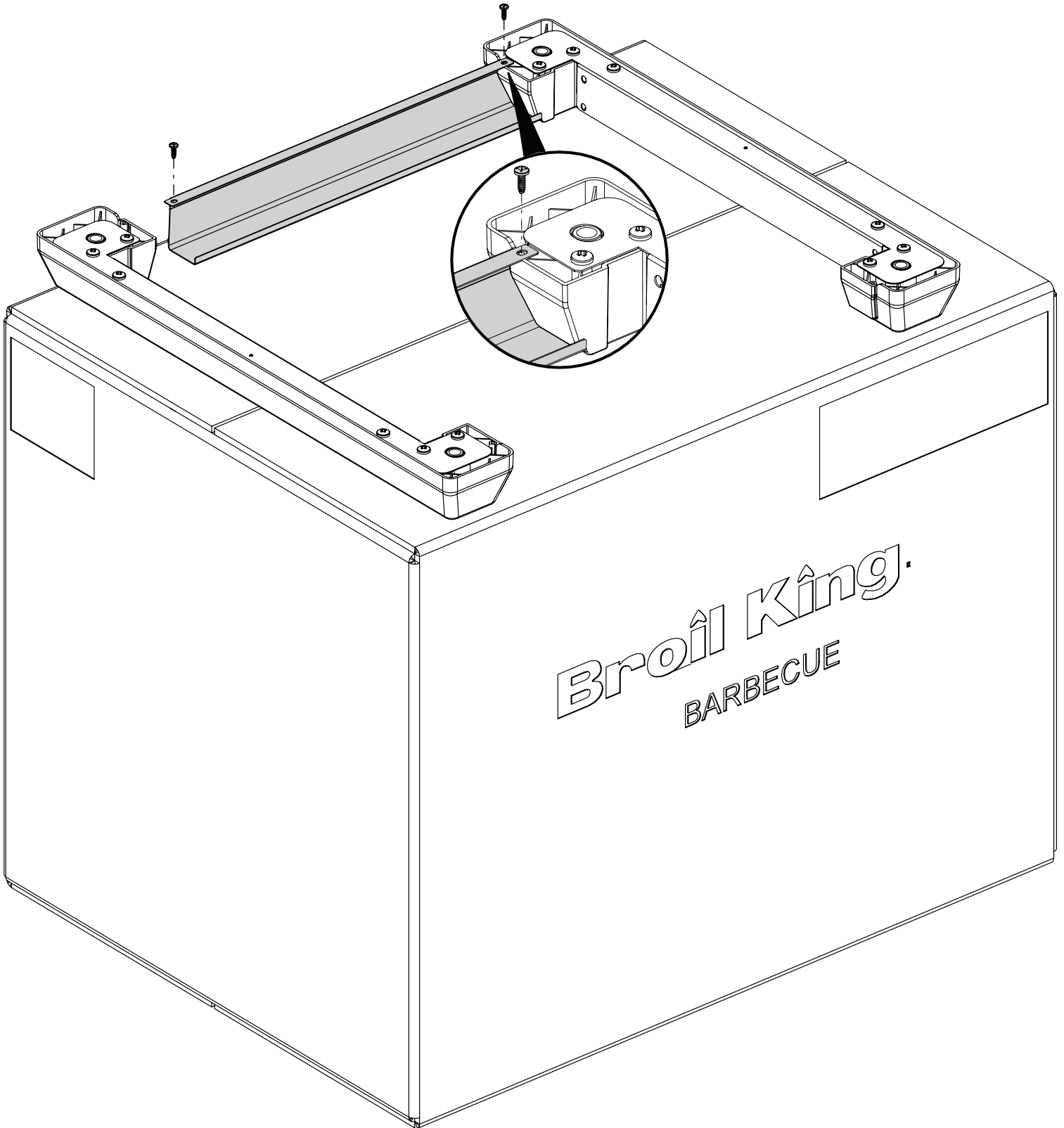


2



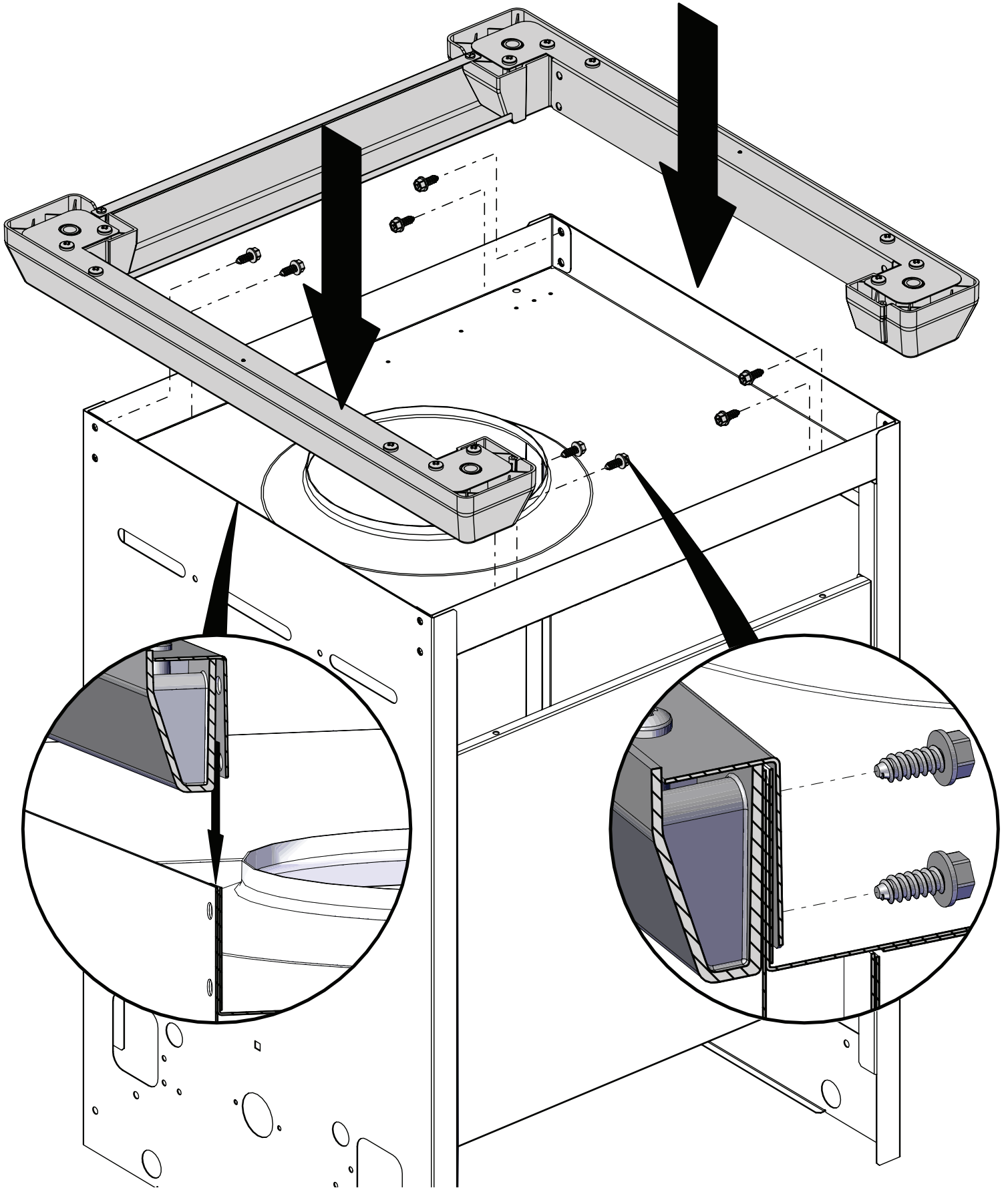
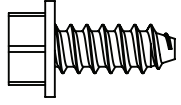
3

(2) 



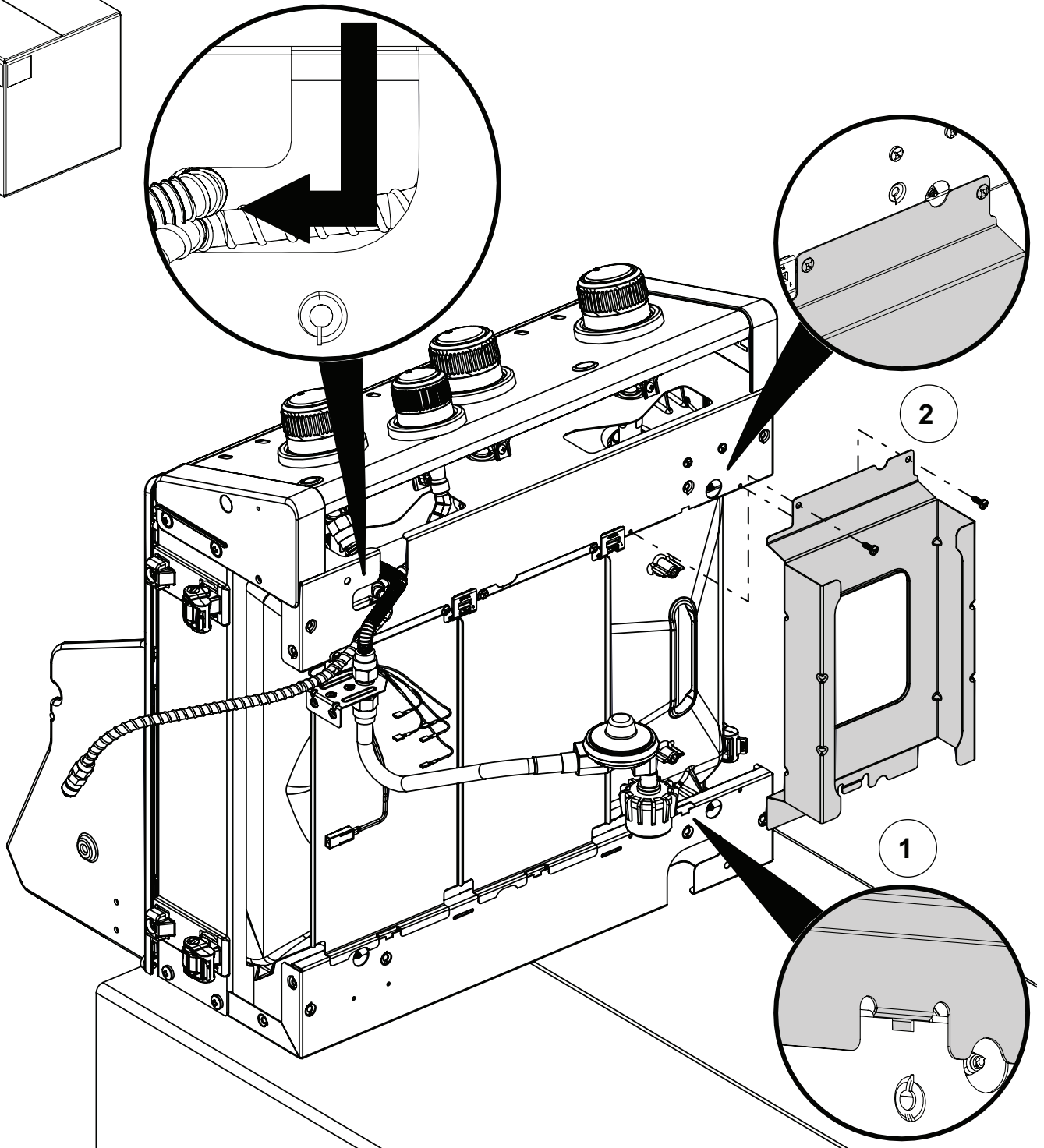
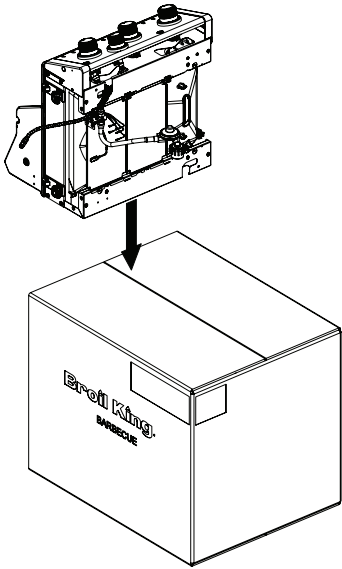
4

(8)



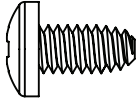
5

(2) 

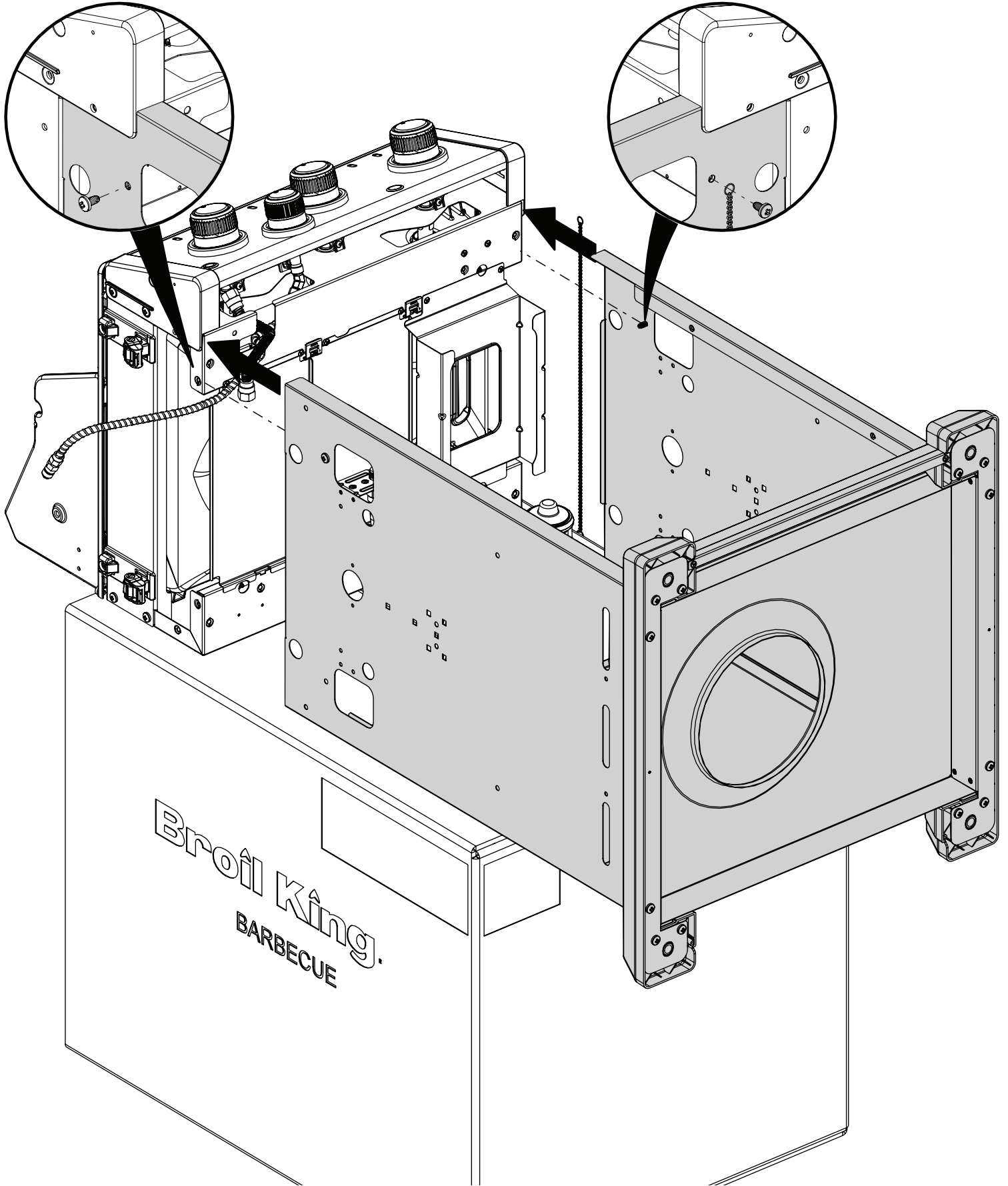


6

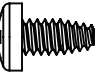
(2)

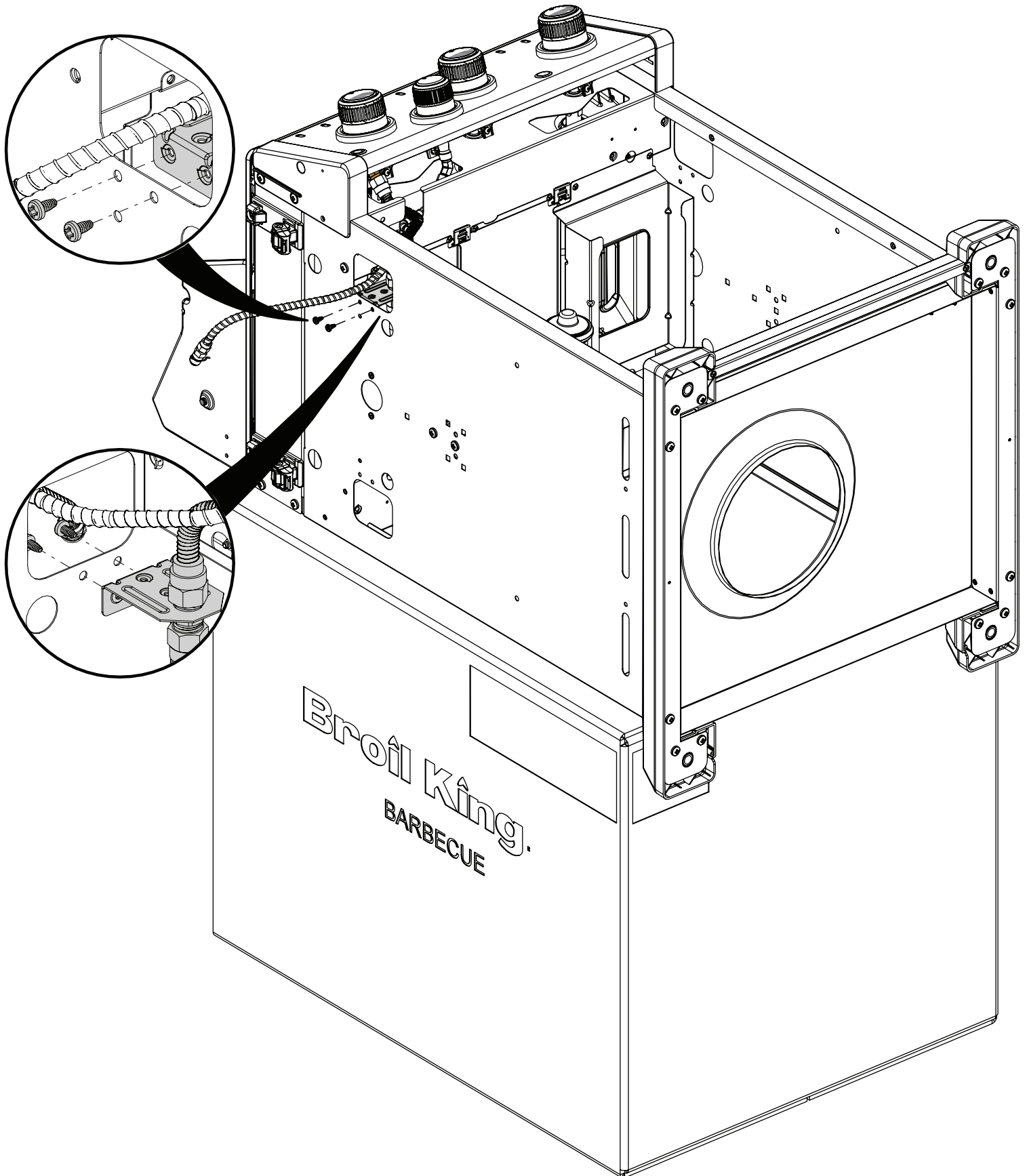


(1)




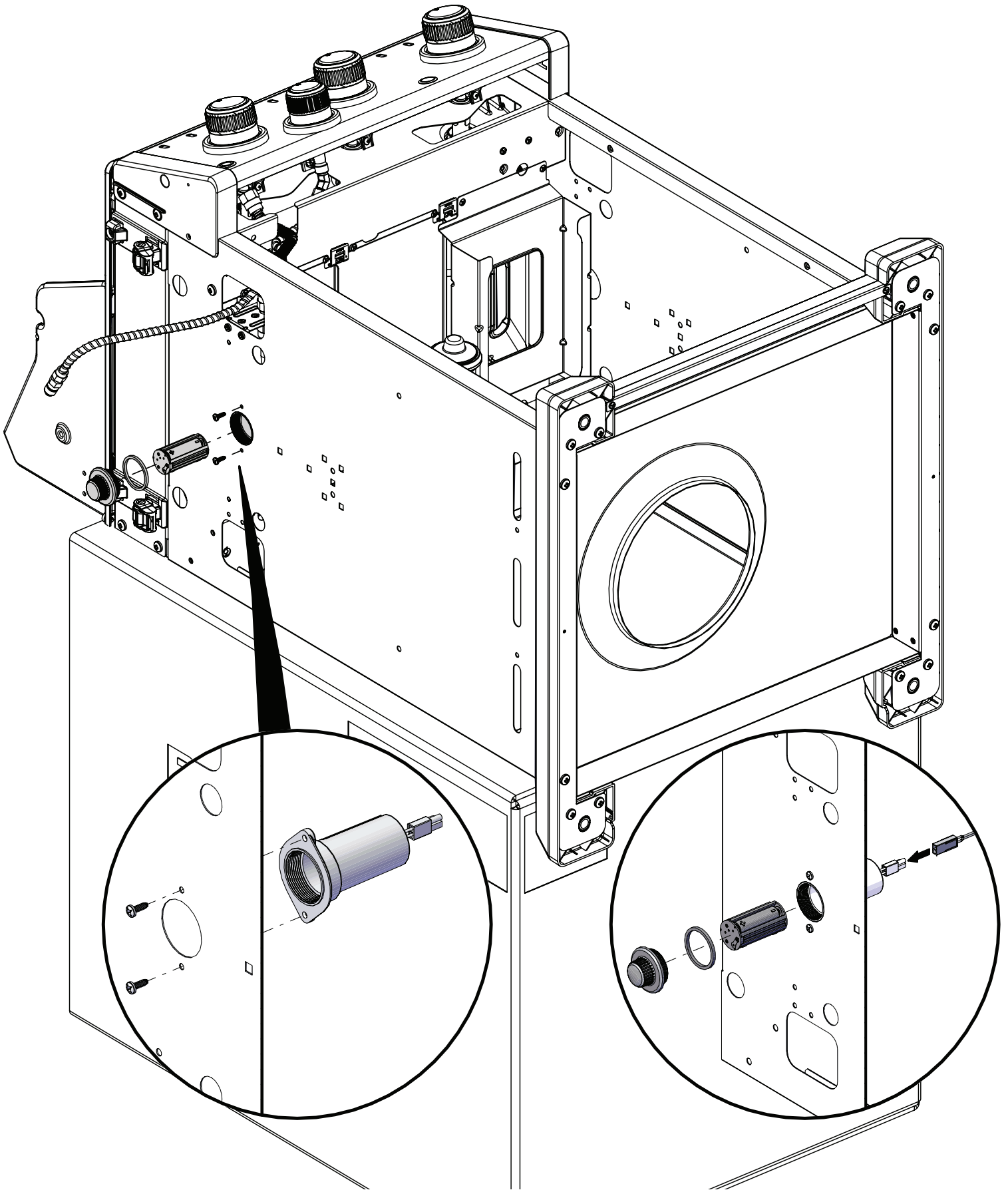
7

(2) 

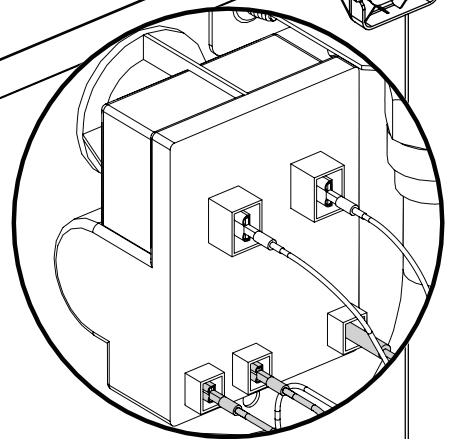
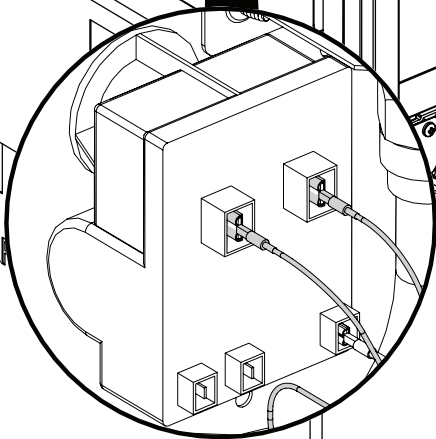
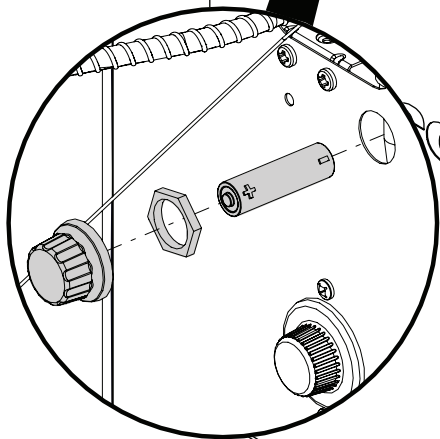
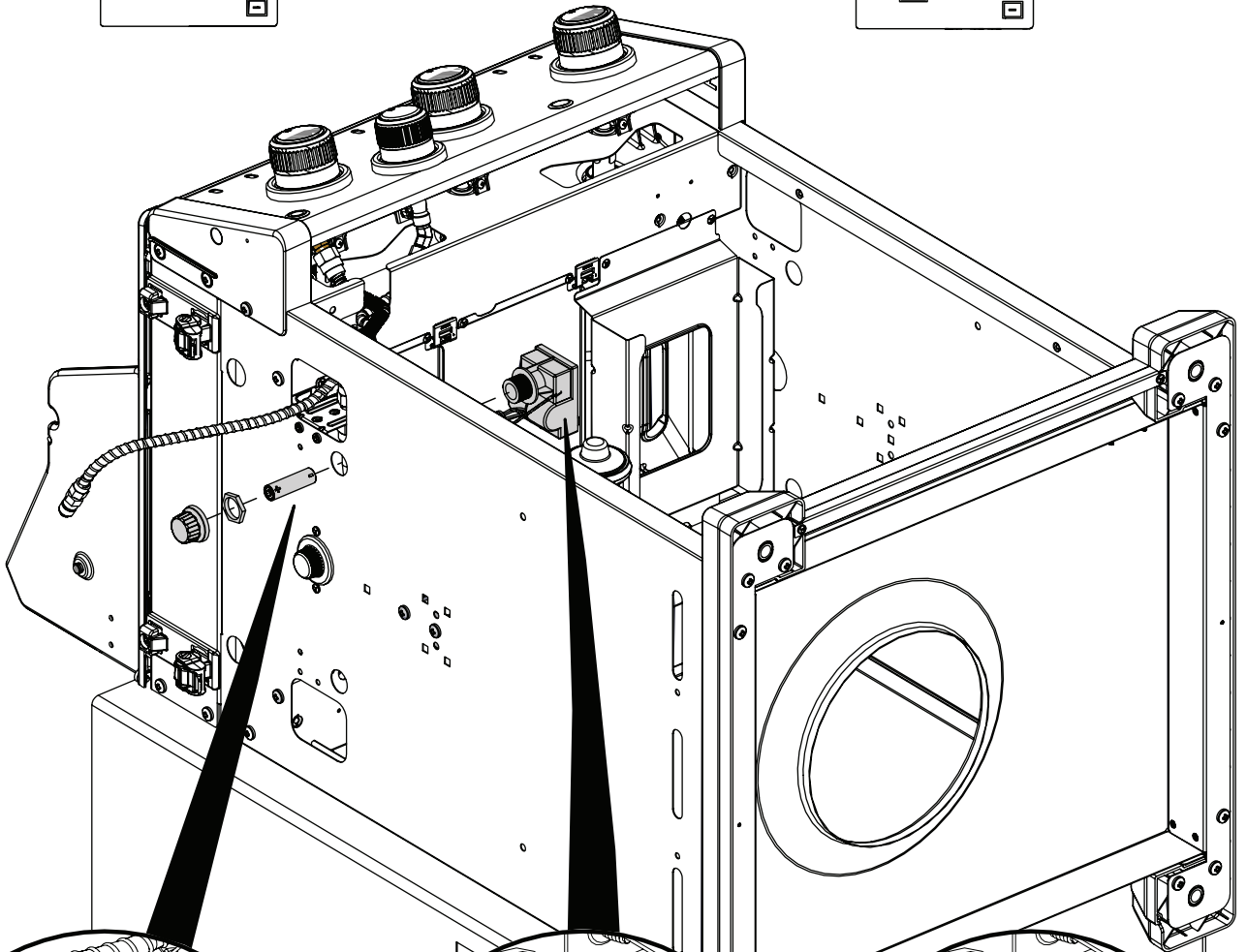
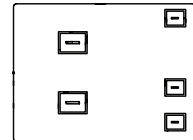
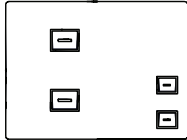
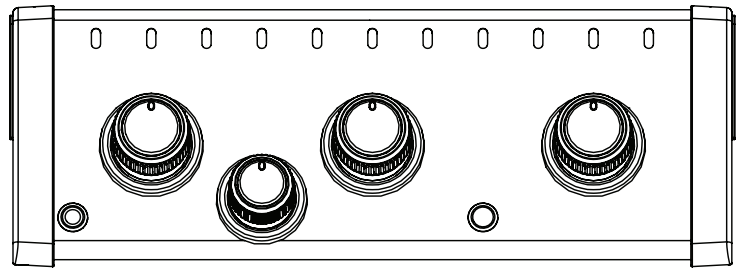
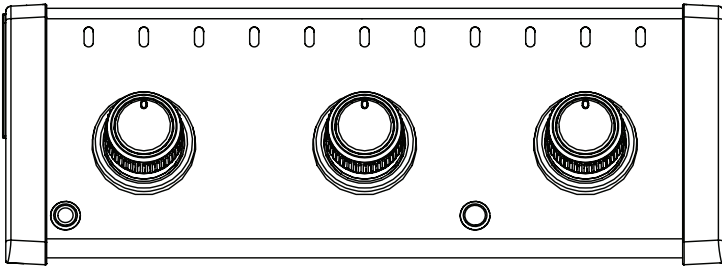


8

(2) 



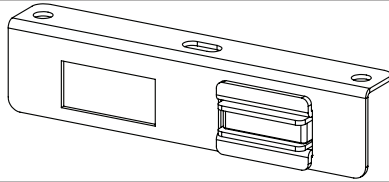
9



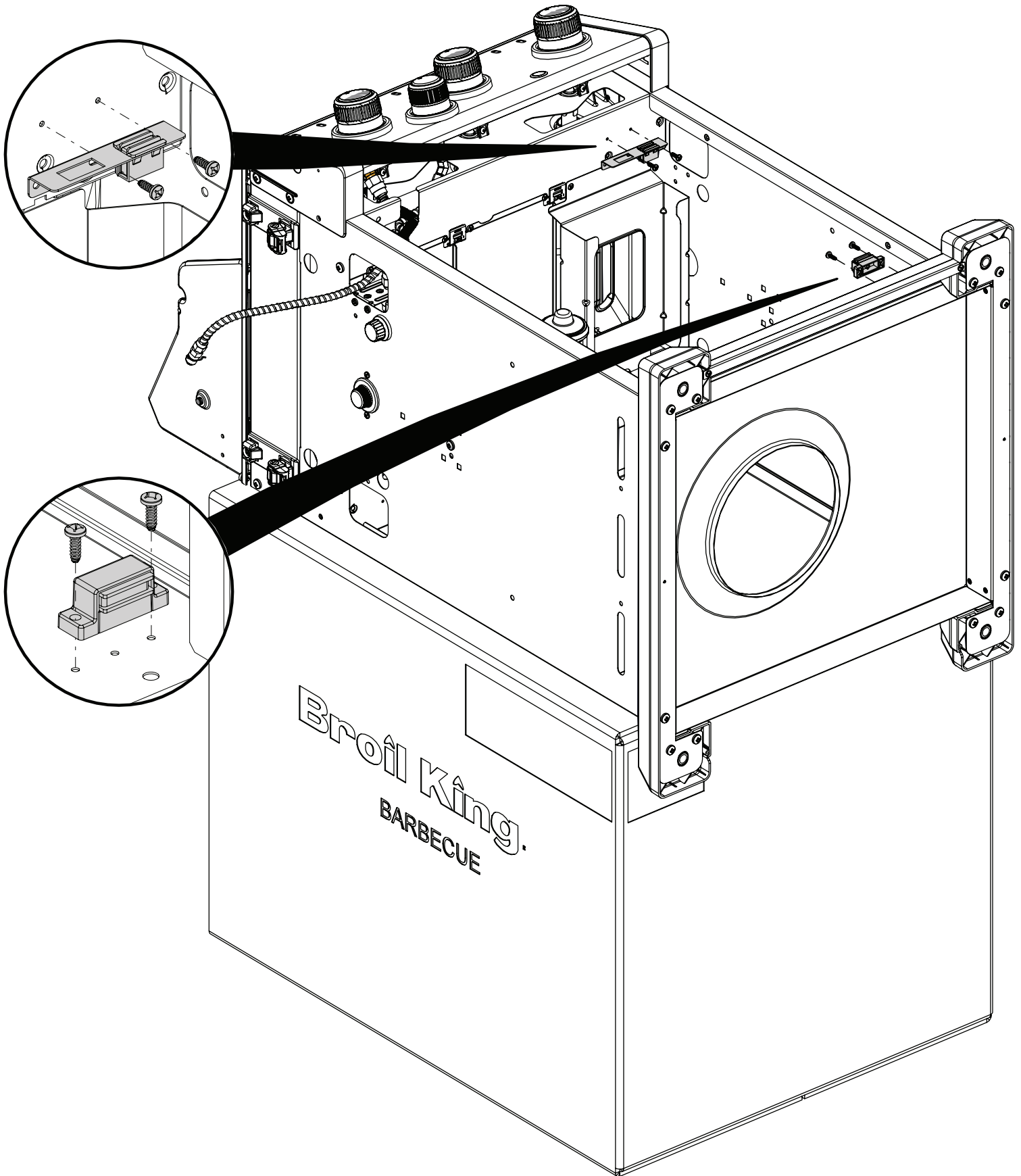
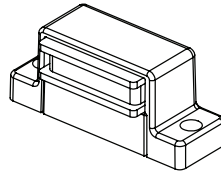
10

(4) 

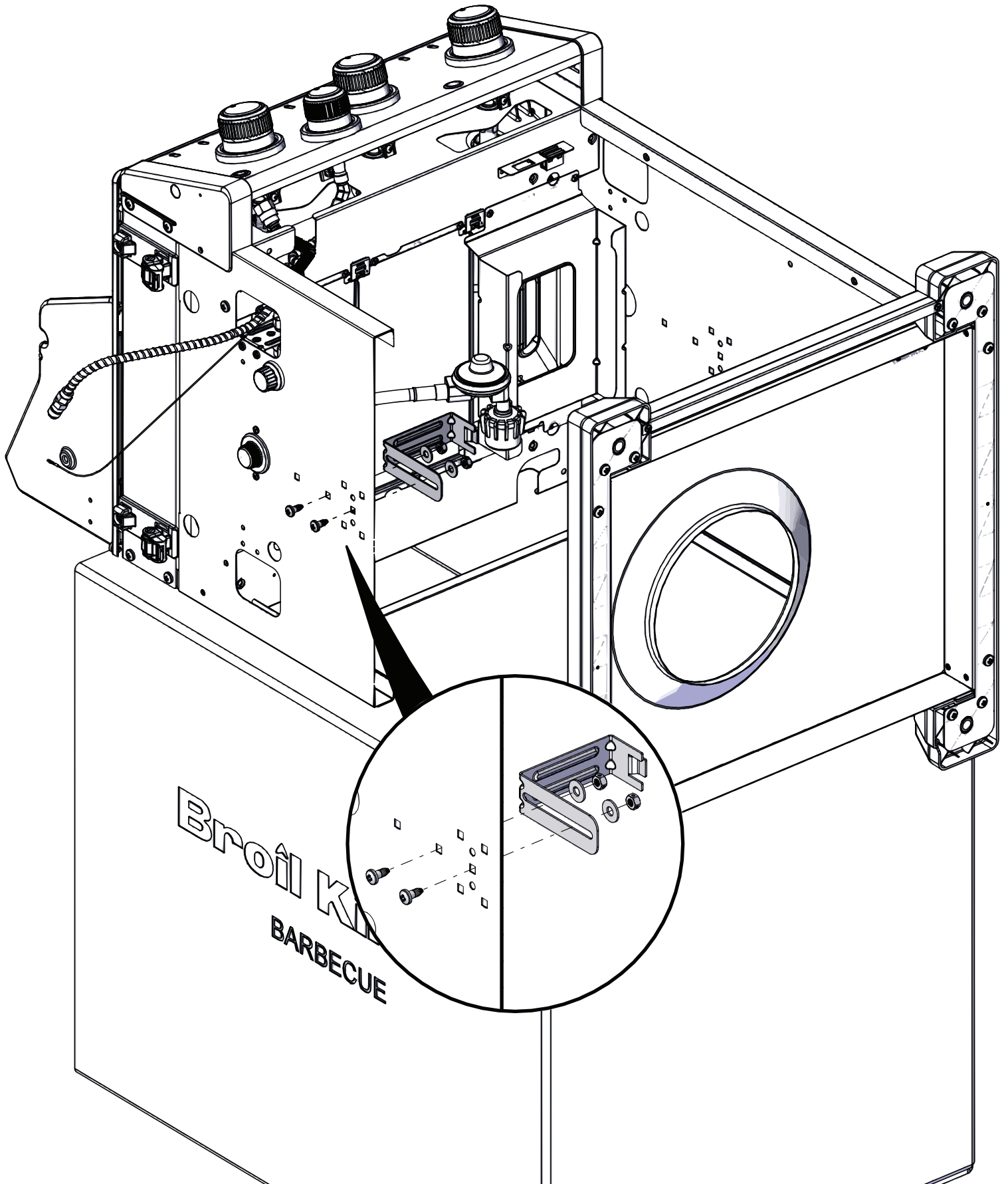
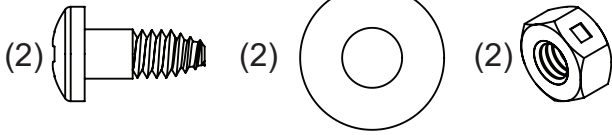
(1)



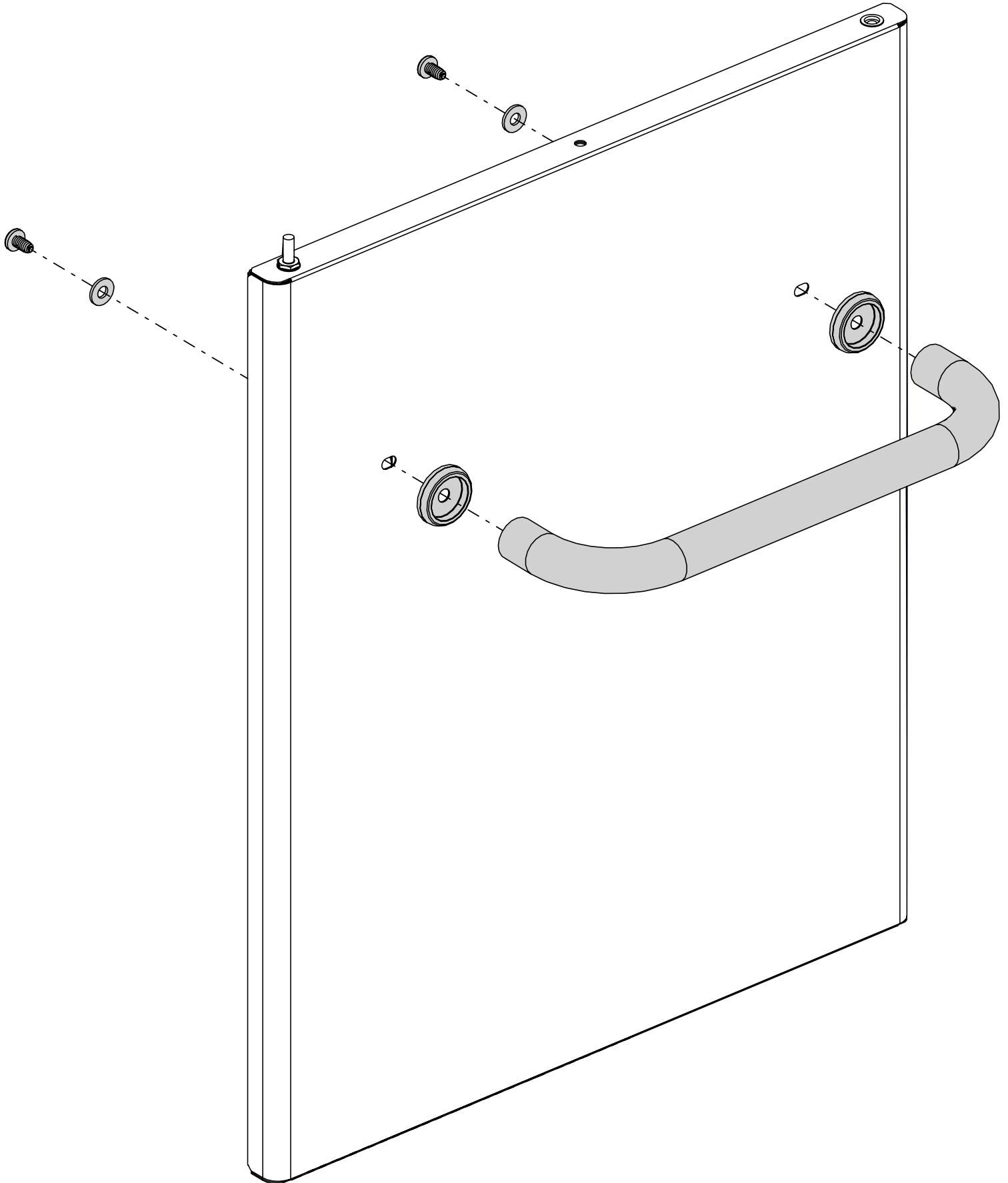
(1)



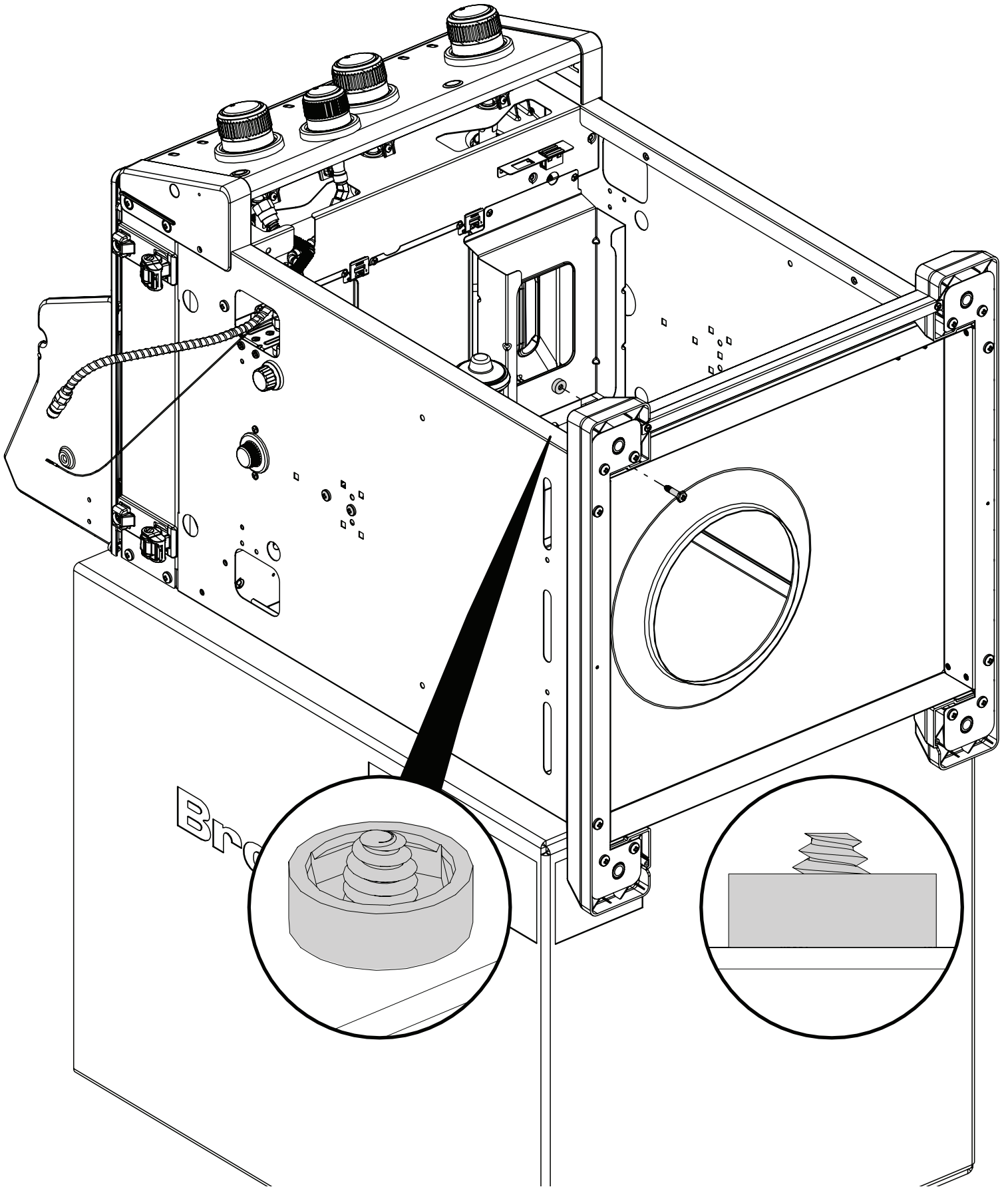
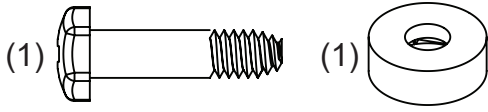
11

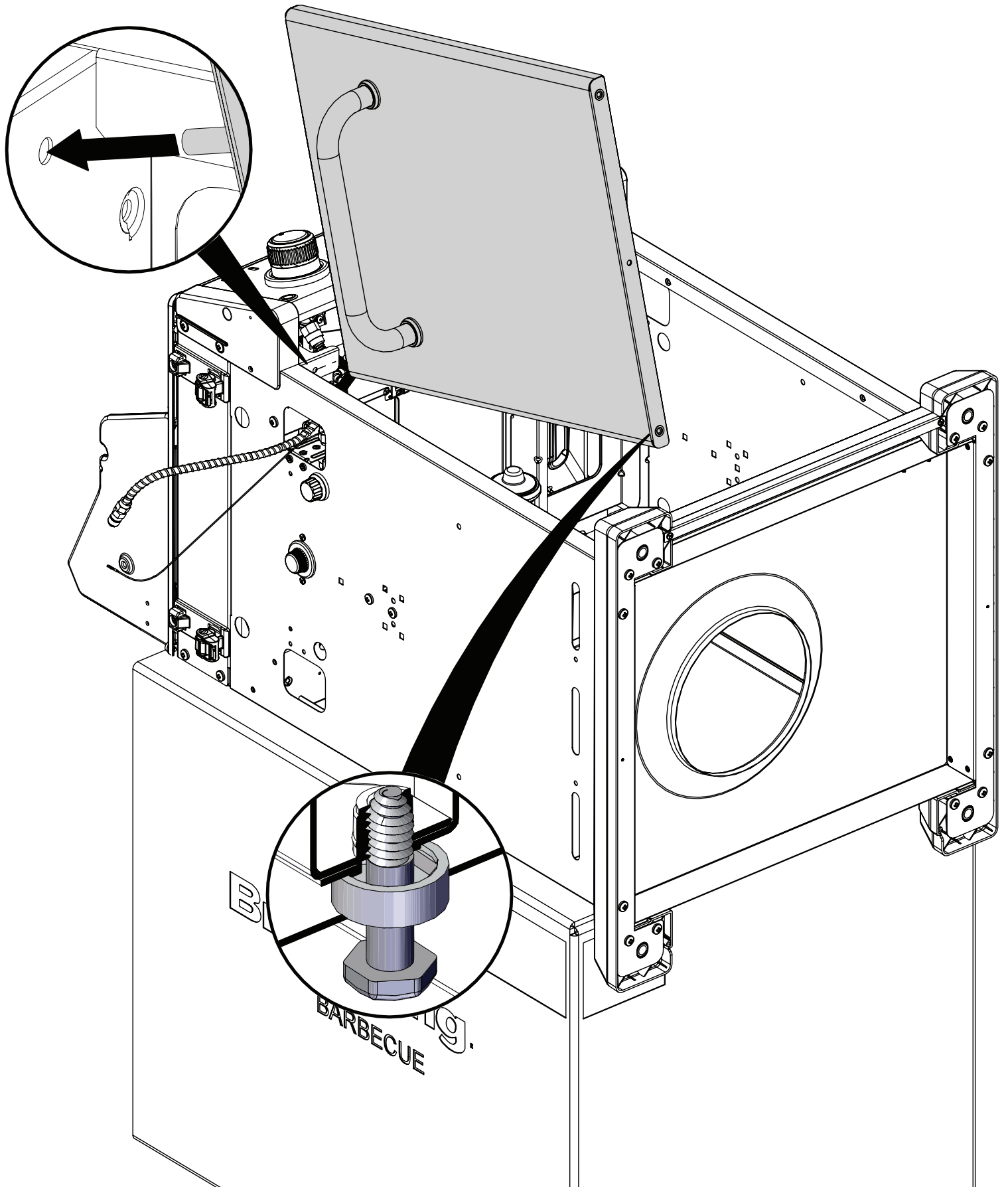


12



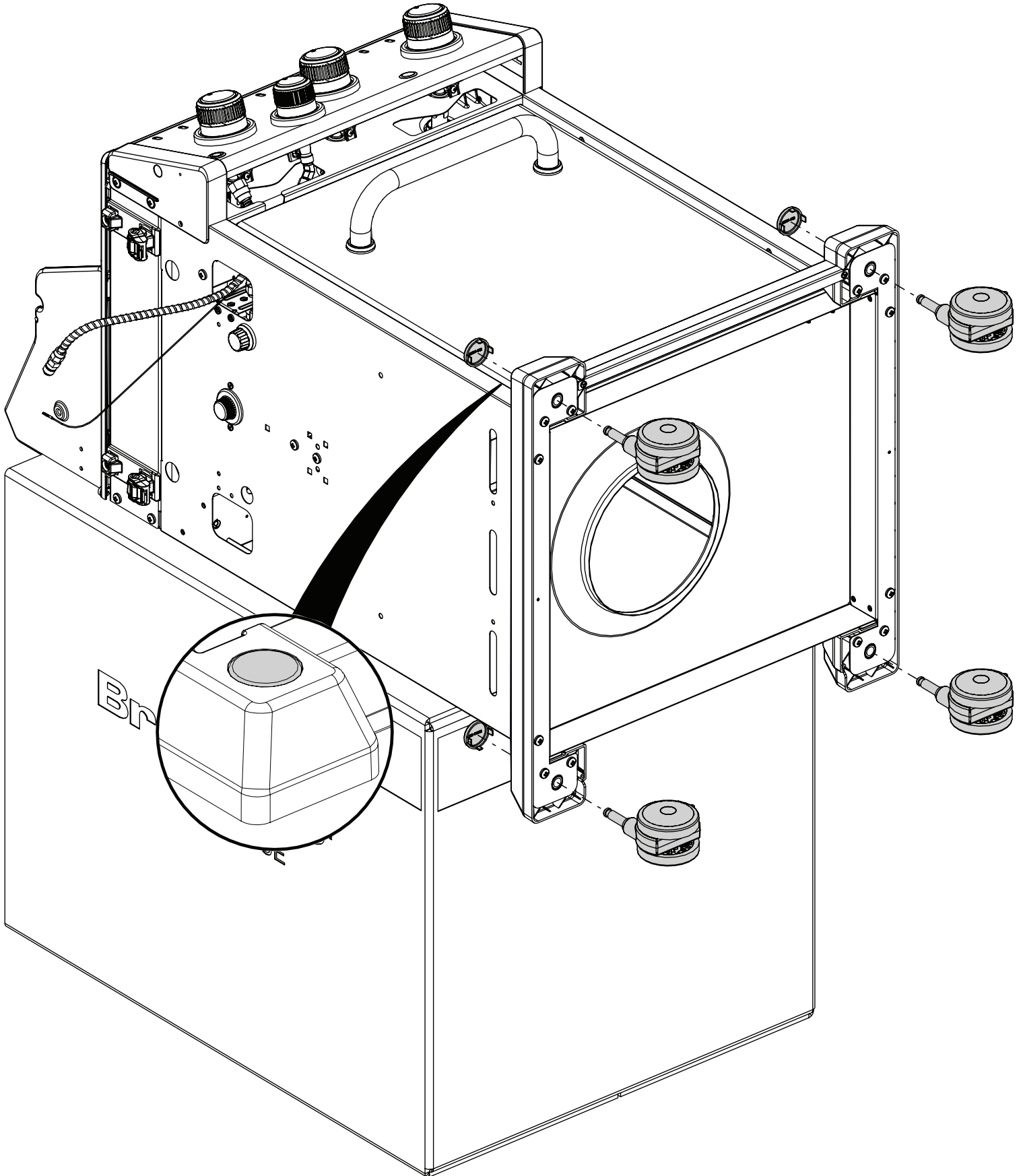
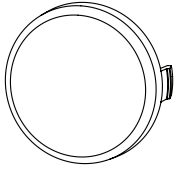
13

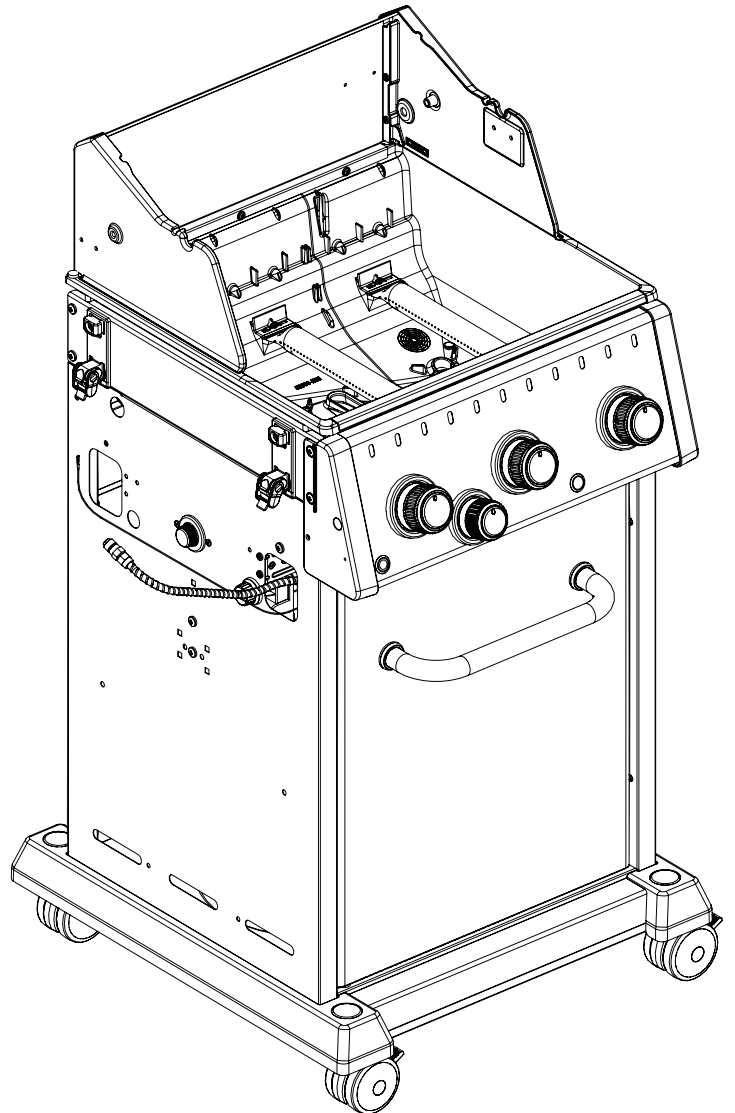
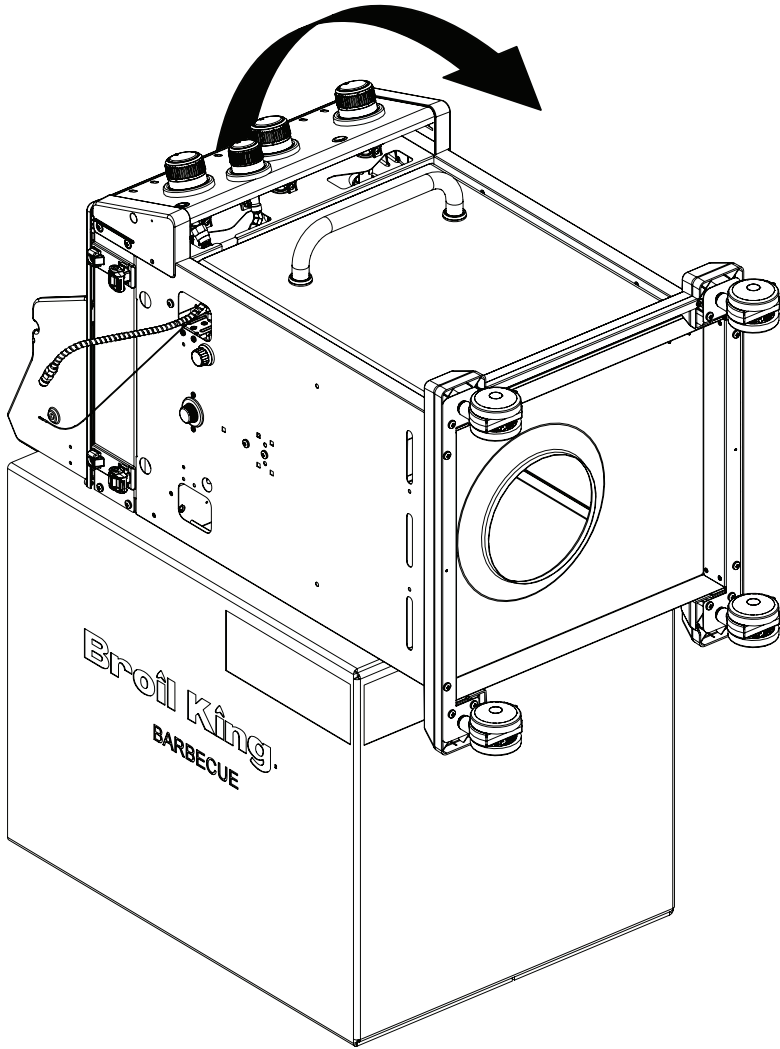




15

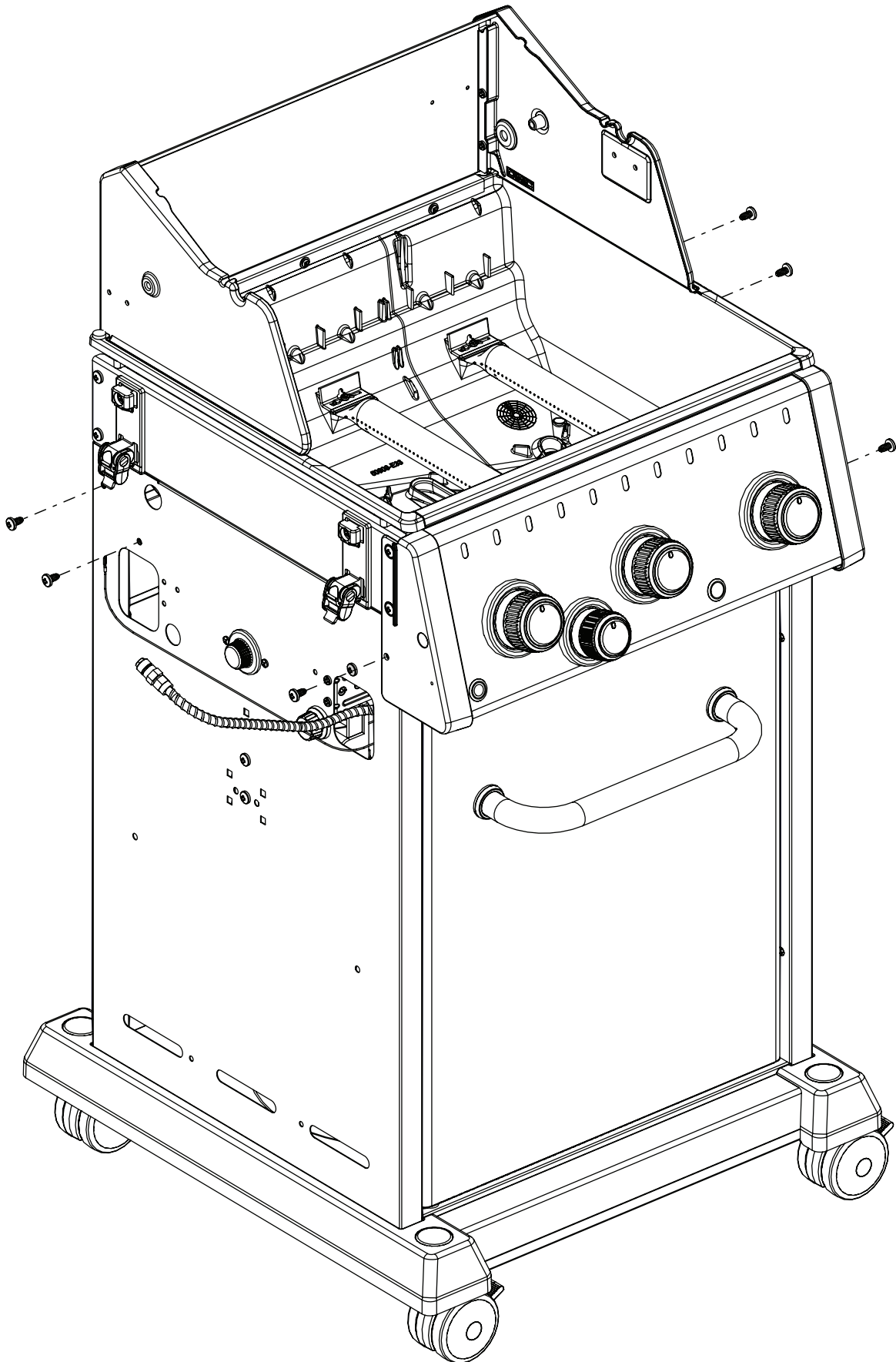
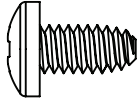
(4)

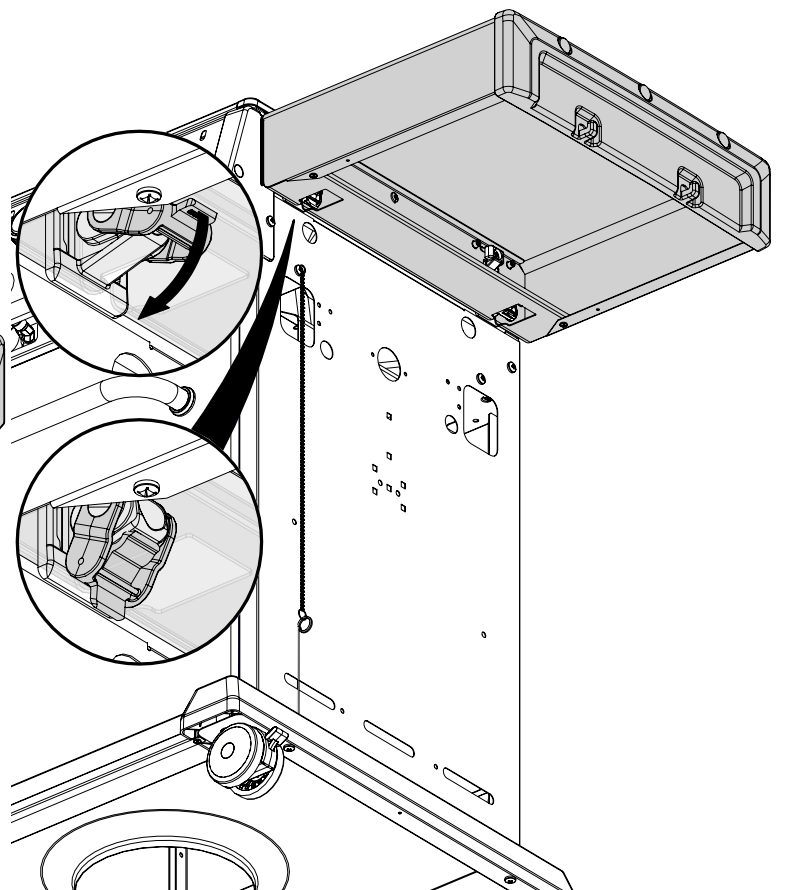
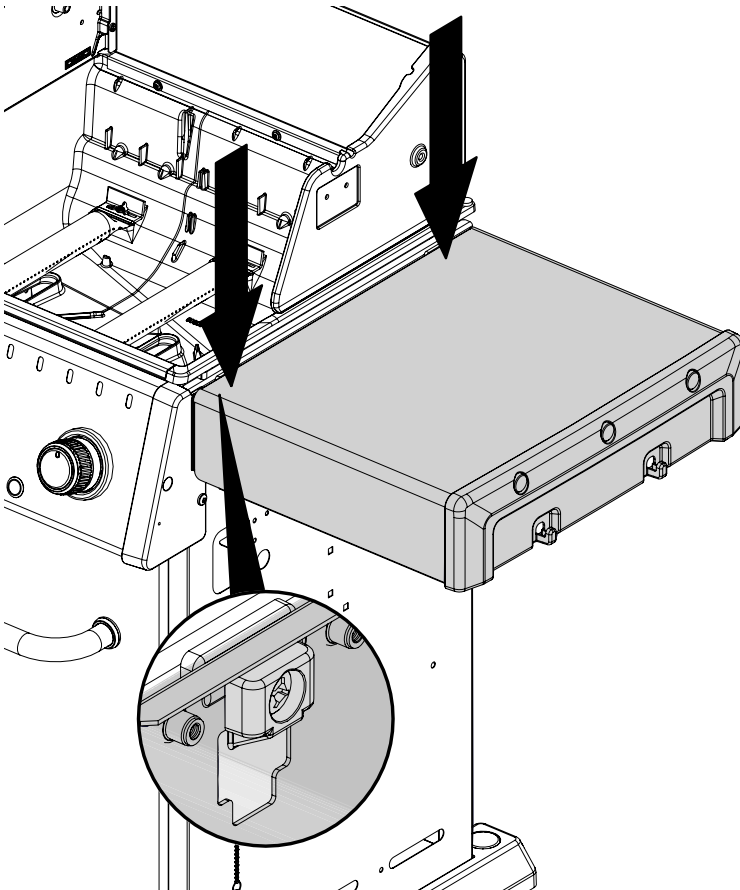
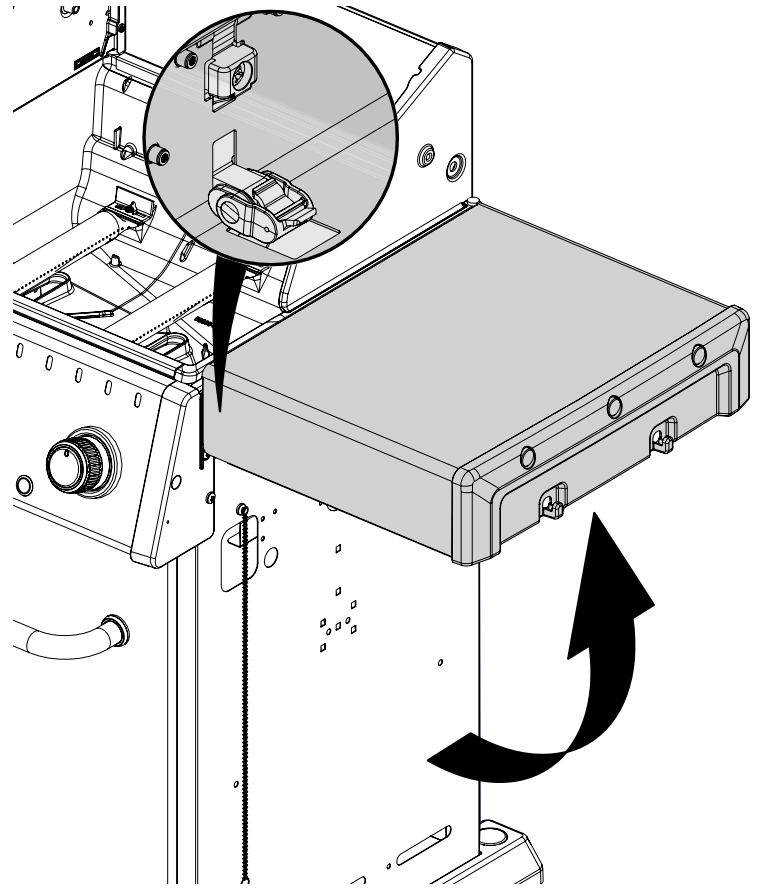
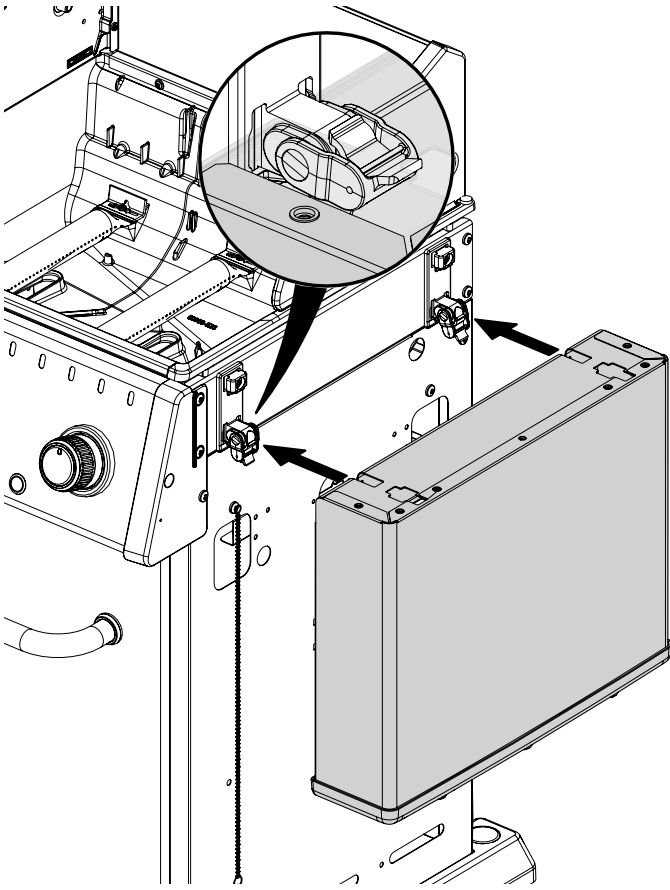




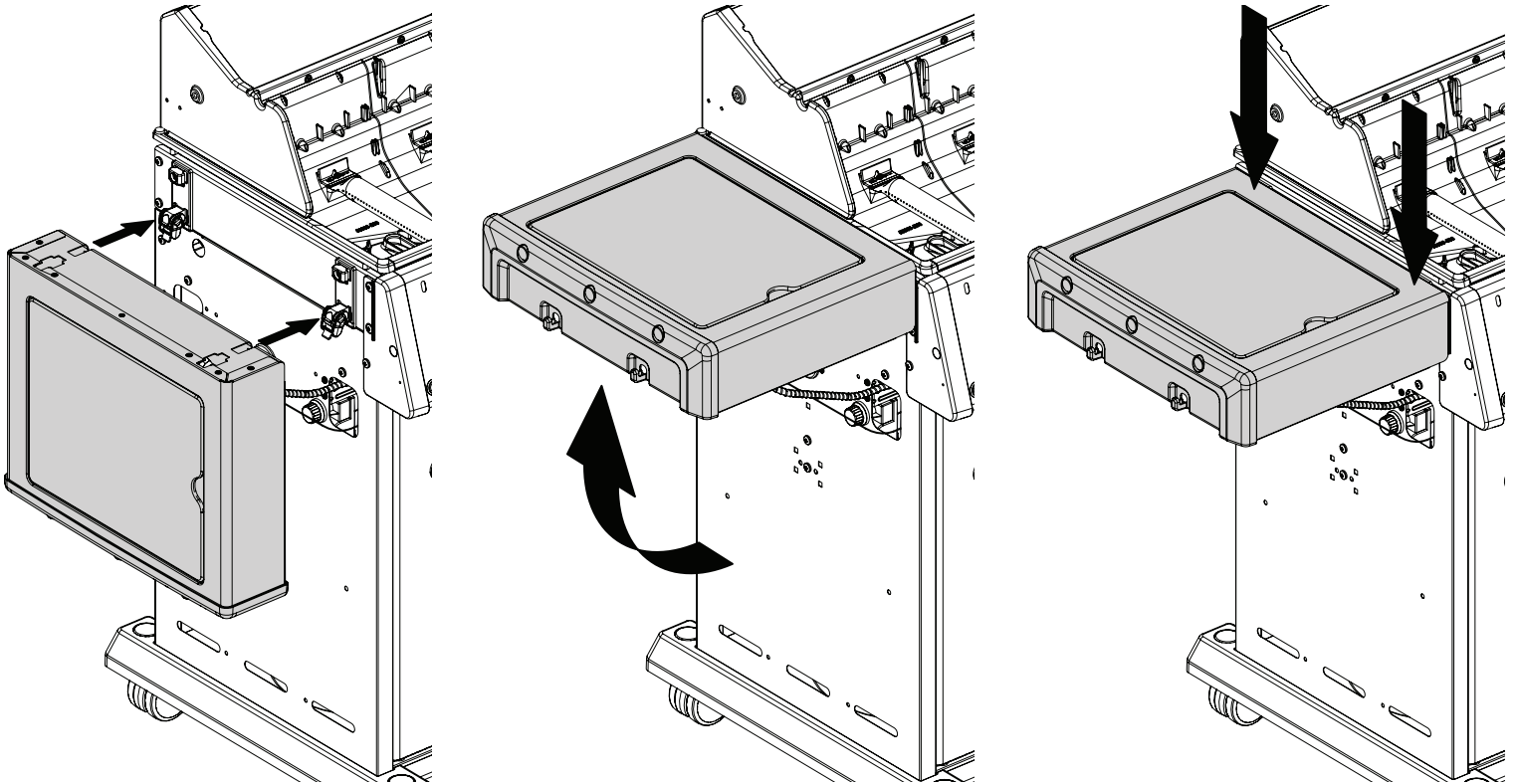
17

(6)

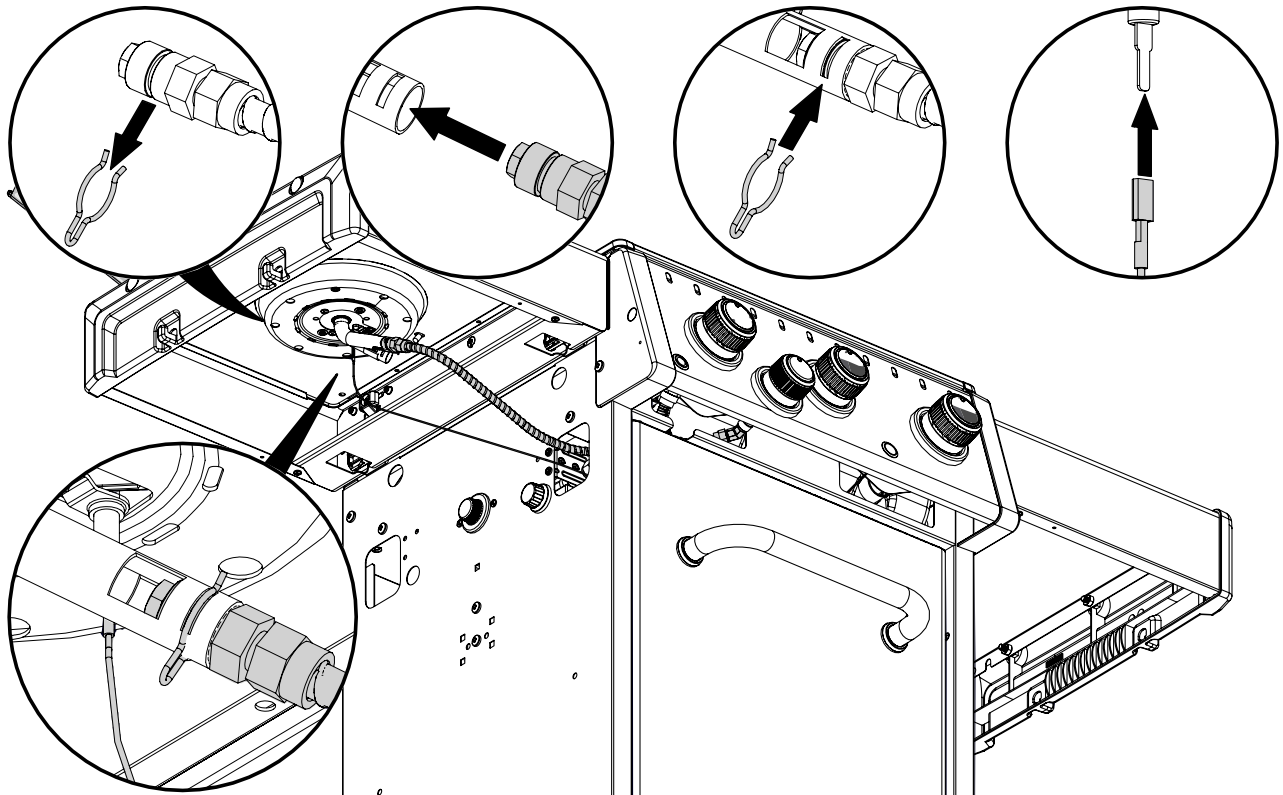
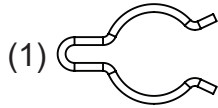


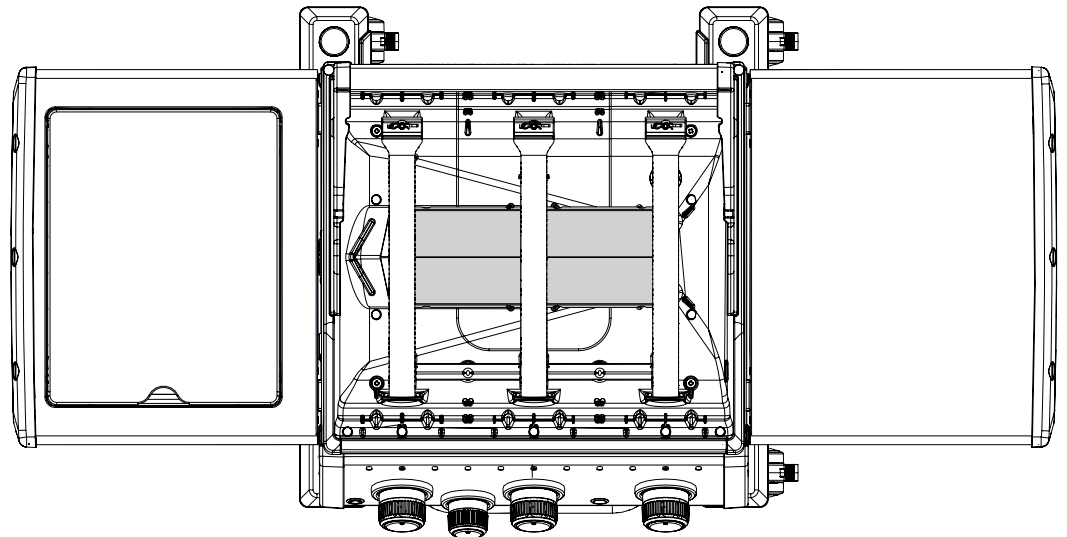
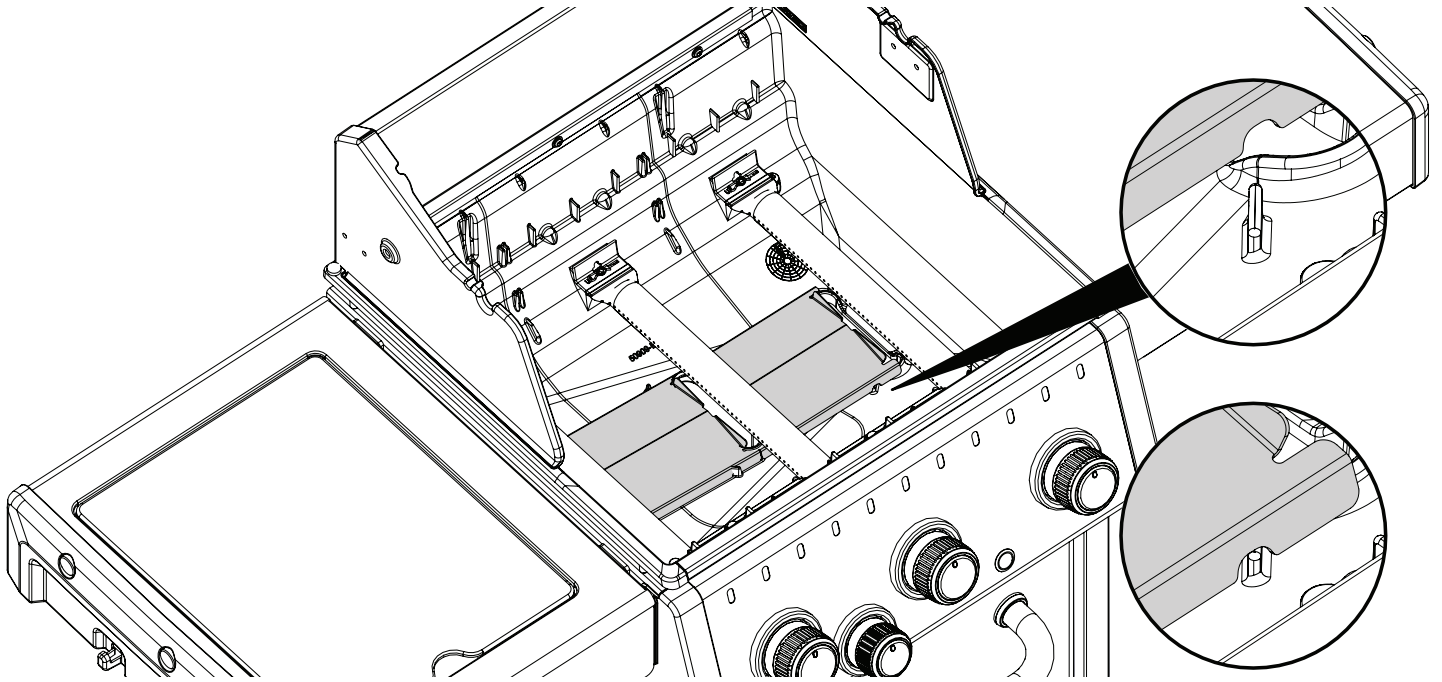
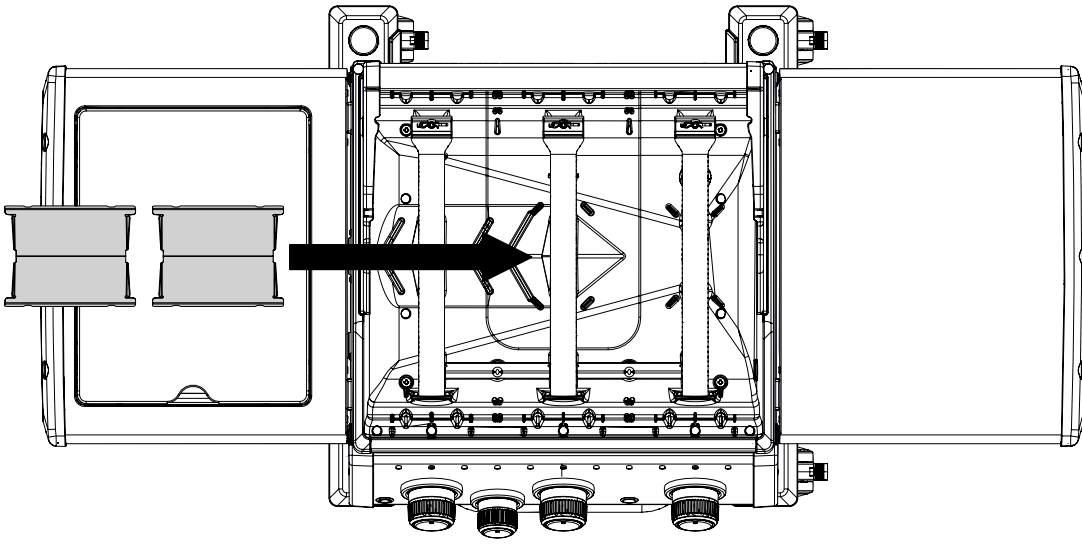


19

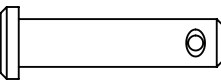
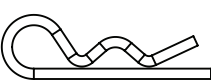


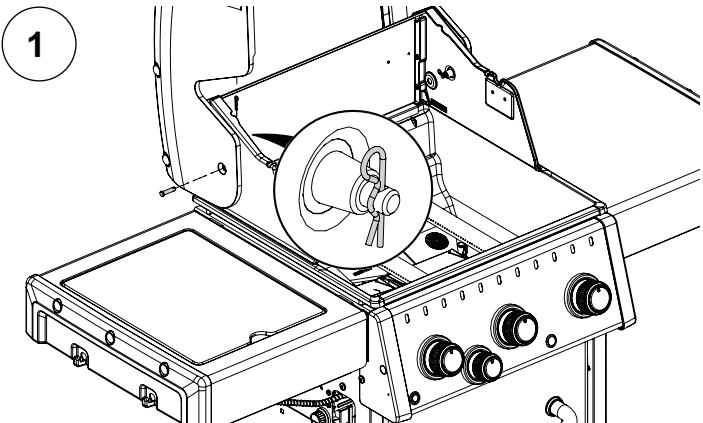
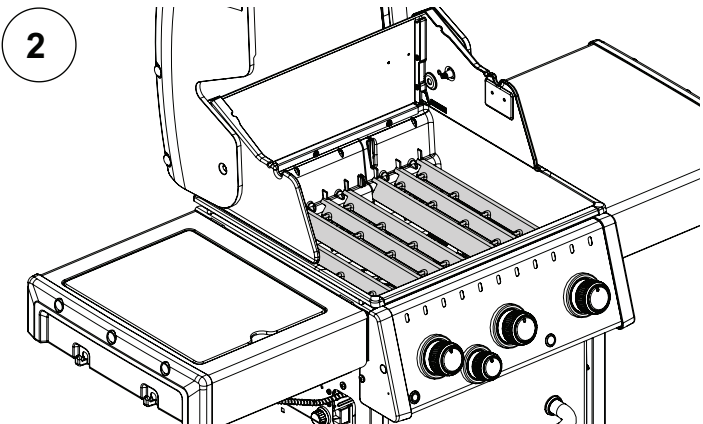
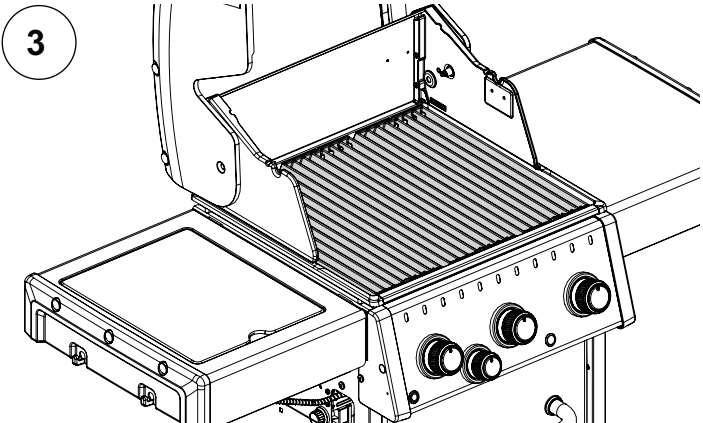
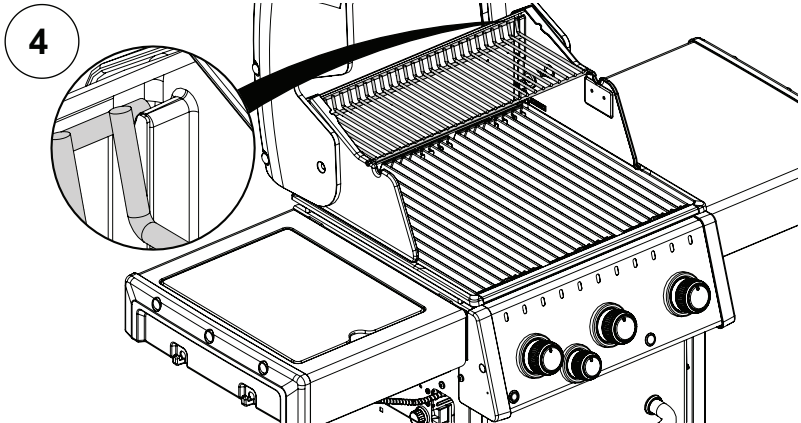
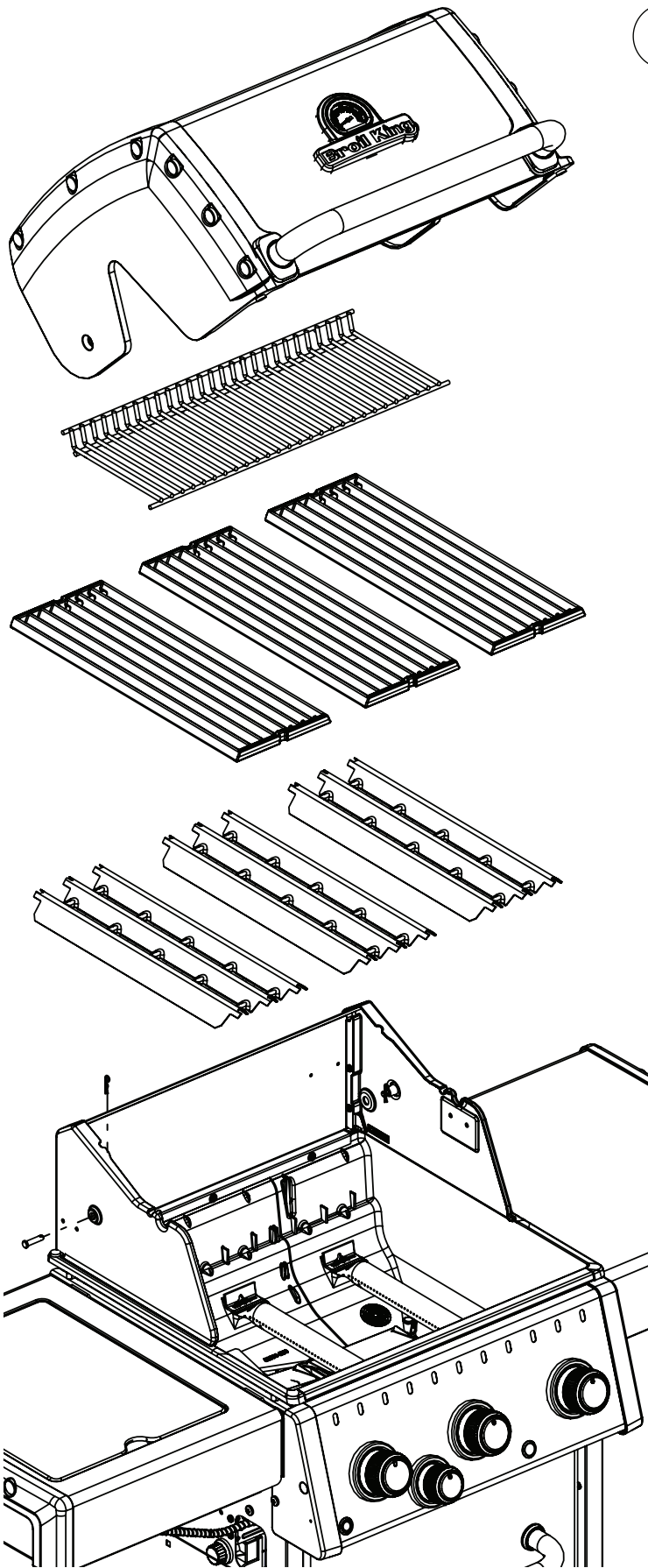
20

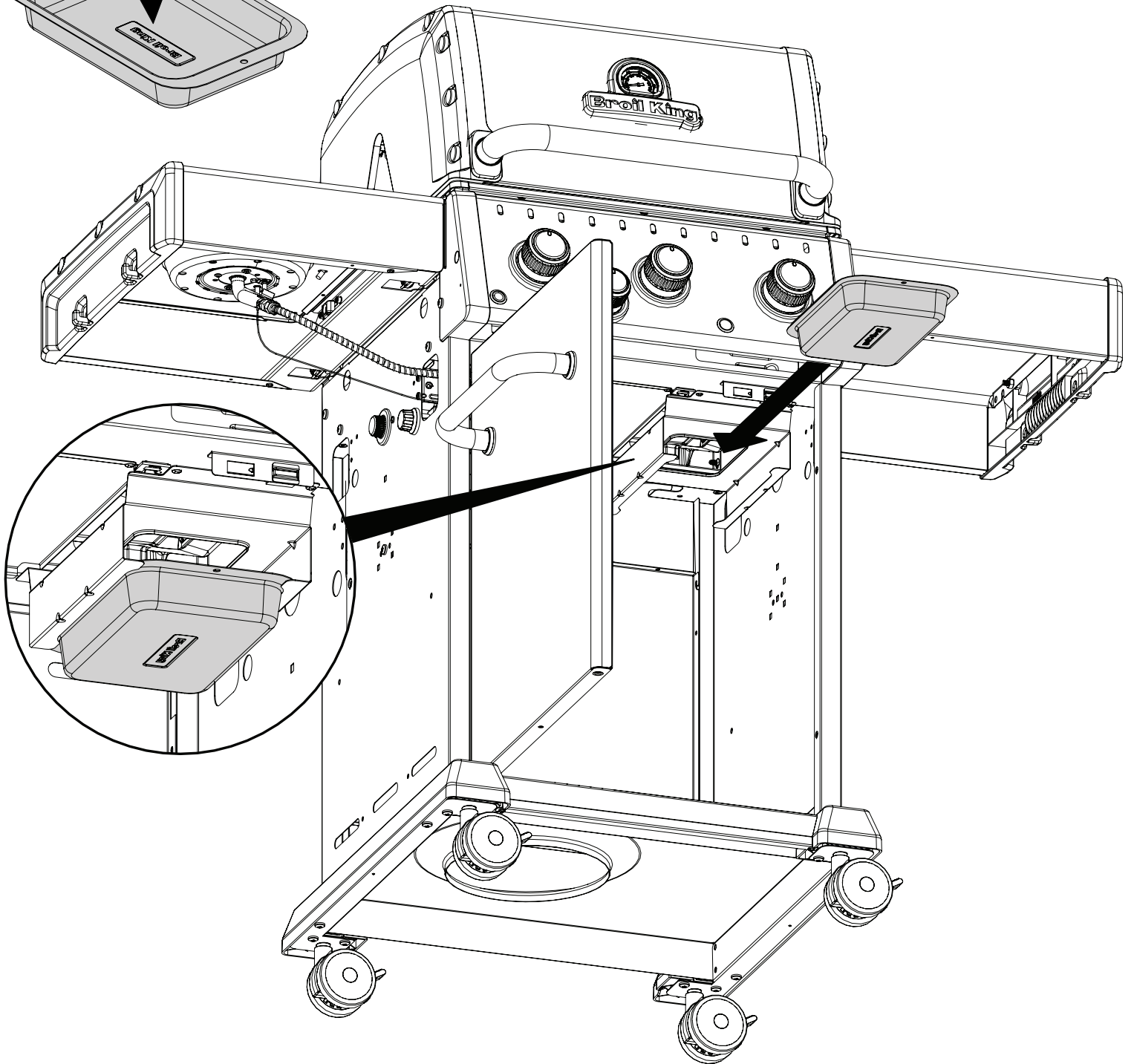
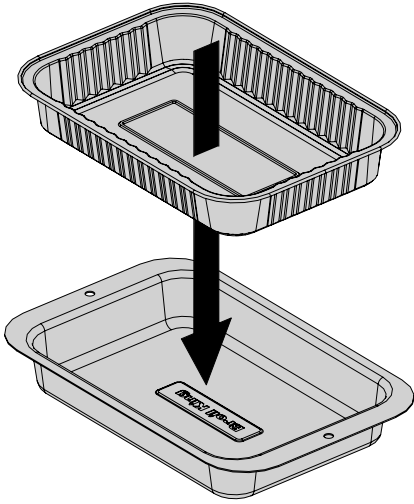


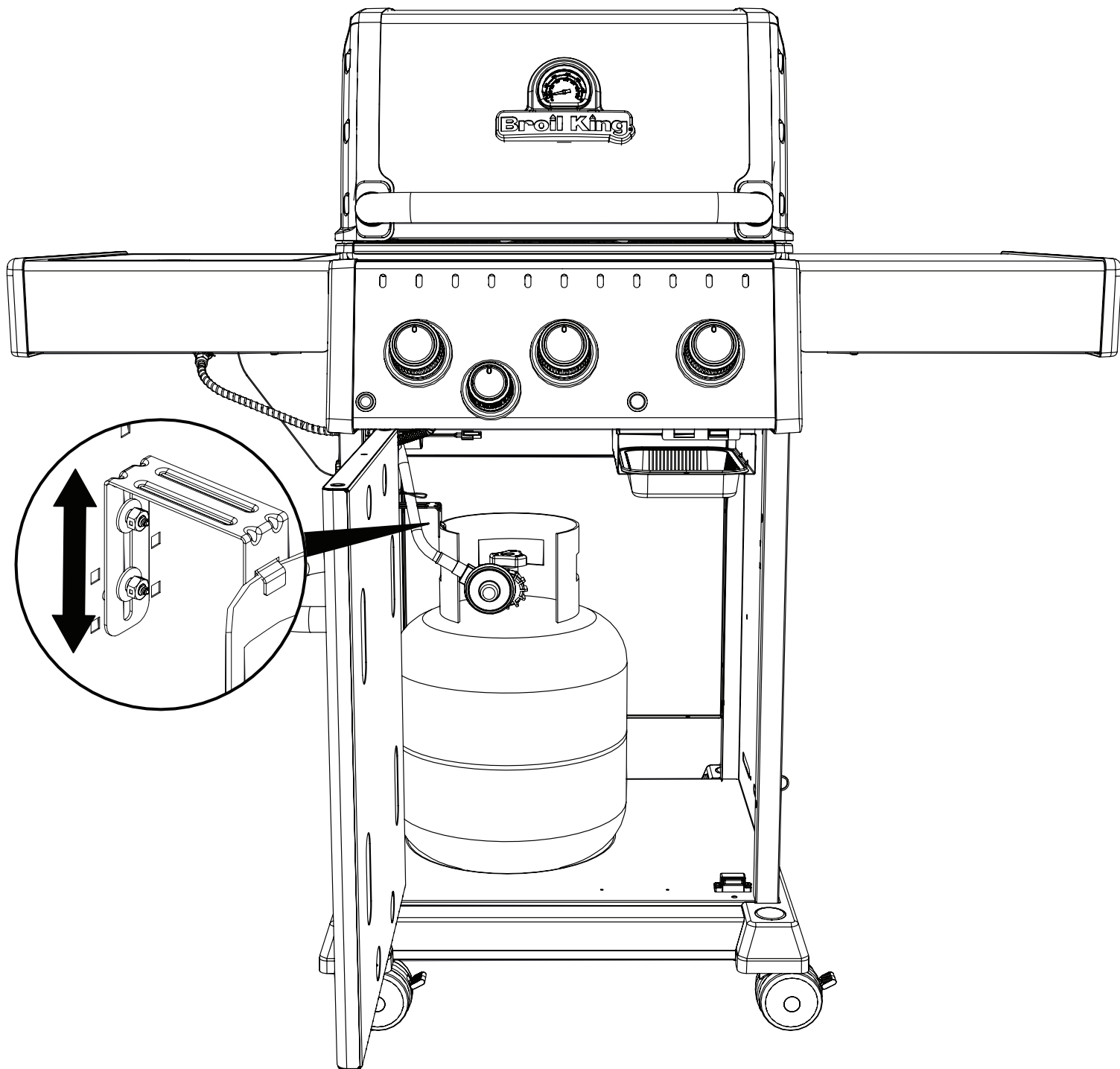


22

(2)  (2) 







PARTS LIST / LISTE DES PIÈCES

<u>KEY #</u>	<u>ITEM #</u>	<u>DESCRIPTION</u>	<u>DESCRIPTION</u>	<u>8742-14</u>	<u>8742-54</u>	<u>8742-24</u>	<u>8742-64</u>	<u>8743-14</u>	<u>8743-54</u>	<u>8743-24</u>	<u>8743-64</u>
153	Y-12223	MAGNET - PUSH IN	AIMANT	1	1	1	1	1	1	1	1
155	S21124	SCREW #8 X 1/2	VIS #8 X 1/2	8	8	8	8	8	8	8	8
158	Y-12641	SCREW #8-32 X 1/2	VIS #8-32 X 1/2	.	.	2	.	.	.	2	2
159	S21127S	SCREW #8-32 X 7/16	VIS #8-32 X 7/16	6	6	8	8	6	6	8	8
160	Y-29304	SCREW #10-24 X 3/8	VIS #10-24 X 3/8	10	10	10	10	10	10	10	10
161	Y-12310	SCREW 1/4-20 X 3/4	VIS 1/4-20 X 3/4	10	10	10	10	10	10	10	10
162	S21084	SCREW #14 X 5/8	VIS #14 X 5/8	8	8	8	8	8	8	8	8
167	Y-11981	CARRIAGE BOLT - 1/4-20 X 1	BOULON 1/4-20 X 1	6	6	6	6	6	6	6	6
174	S21255	WASHER	RONDELLE	2	2	2	2	2	2	2	2
175	Y-11546	SCREW - 1/4:20 X 5/8	BOULON - 1/4:20 X 5/8	2	2	2	2	2	2	2	2
176	Y-11795	NUT 1/4-20	ECROU 1/4-20	2	2	2	2	2	2	2	2
181	25030-73	WIRE - BATTERY PACK	LE FIL - TRANSFORMATEUR	1	1	1	1	1	1	1	1
181A	25070-95	LIGHT SWITCH	COMMUTATEUR LEGER	1	1	1	1	1	1	1	1
184	20024-803	BATTERY PACK	BATTERIE	1	1	.	.	1	1	.	.
	20025-803	BATTERY PACK	BATTERIE	.	.	1	1	.	.	1	1
186	Y-12865	SCREW 1/4-20 X 3/4	VIS 1/4-20 X 3/4	10	10	10	10	10	10	10	10
190	25020-83	WIRE - LED LIGHT	DIODES ÉLECTROLUMINESCENTES	1	1	.	.	1	1	.	.
	25020-84	WIRE - LED LIGHT	DIODES ÉLECTROLUMINESCENTES	.	.	1	1	.	.	1	1

