

Broil King®

ASSEMBLY MANUAL & PARTS LIST - MANUEL DE MONTAGE & LISTE DE PIÈCES



Broil King
BARON 520 PRO
8762-14
BARON 520
8762-54



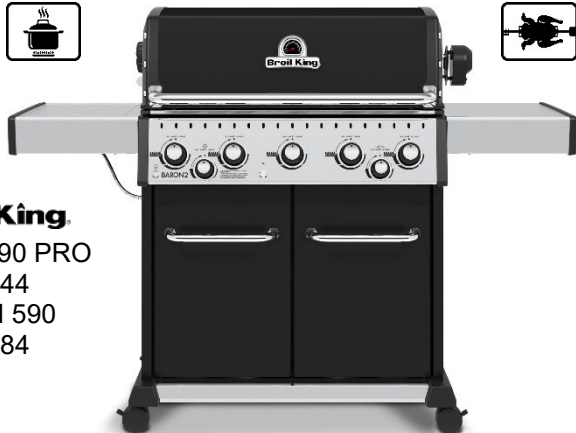
Broil King
BARON S 520 PRO
8763-14



Broil King
BARON 540 PRO
8762-24



Broil King
BARON S 540 PRO
8763-24



Broil King
BARON 590 PRO
8762-44
BARON 590
8762-84



Broil King
BARON S 590 PRO
8763-44

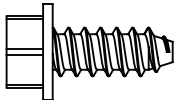
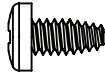
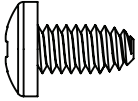

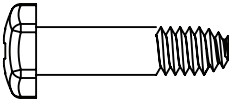

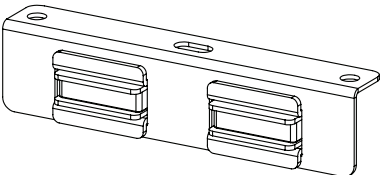
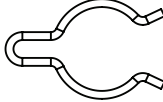
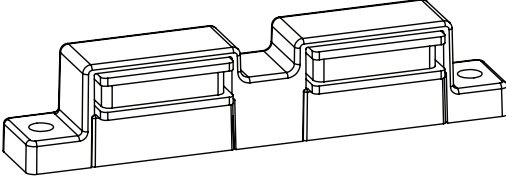
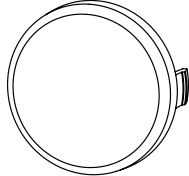
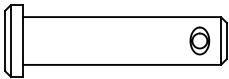
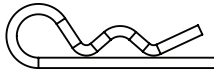
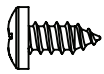
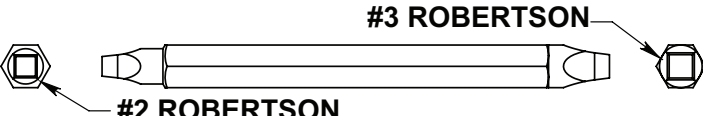
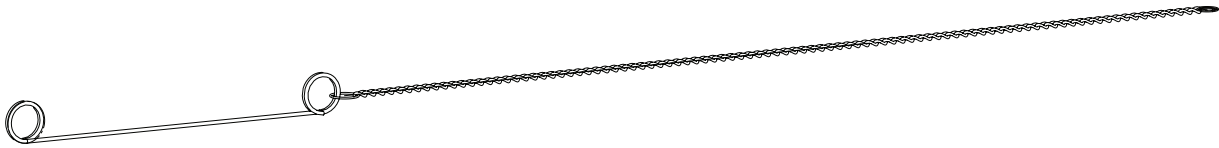
RETAIN FOR FUTURE REFERENCE - VEUILLEZ CONSERVER POUR REFERENCE ULTERIEURE

Onward
MANUFACTURING COMPANY
SINCE 1906
585 KUMPF DRIVE LIMITED
WATERLOO, ONTARIO, CANADA
N2V 1K3

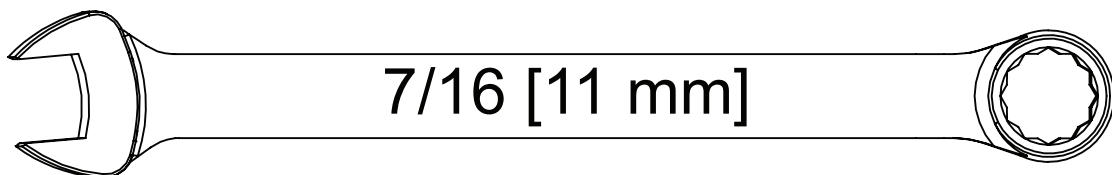
info@omcbbq.com
1-800-265-2150

50084-E80 REV J 03/24

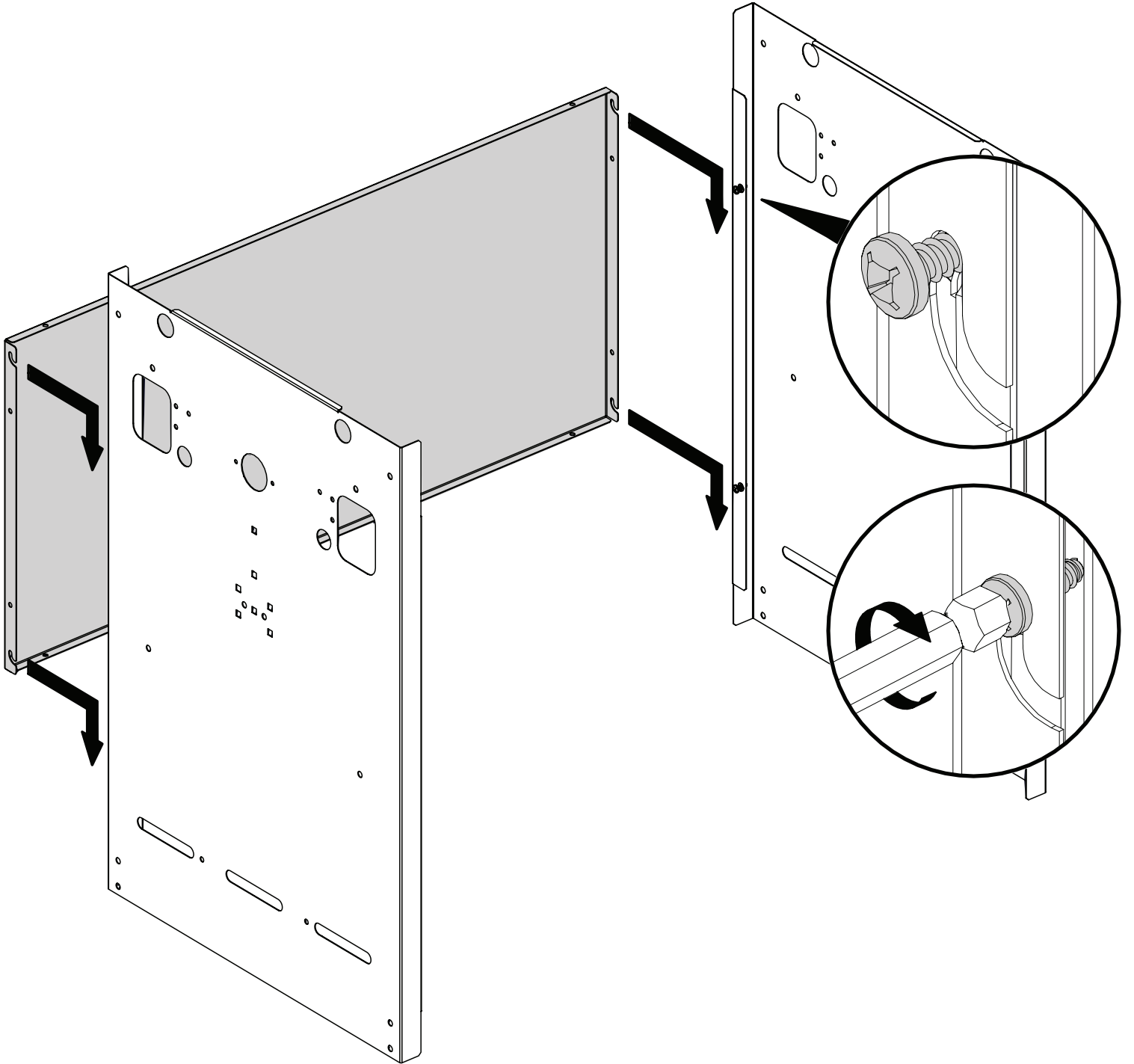
HARDWARE INCLUDED / MATERIAL INCLUS

S21084		(8)	Y-29304		(2)
Y-12865		(12)	S21124		(8)
Y-11551		(2)	Y-12124		(2)
56039-214A		(1)	Y-11230		(2)
Y-12229		(1)	32001-151		(4)
S21235		(2)	S21233		(2)
S21125		(2)	 <p>#3 ROBERTSON</p> <p>#2 ROBERTSON</p>		
20005-000					(1)

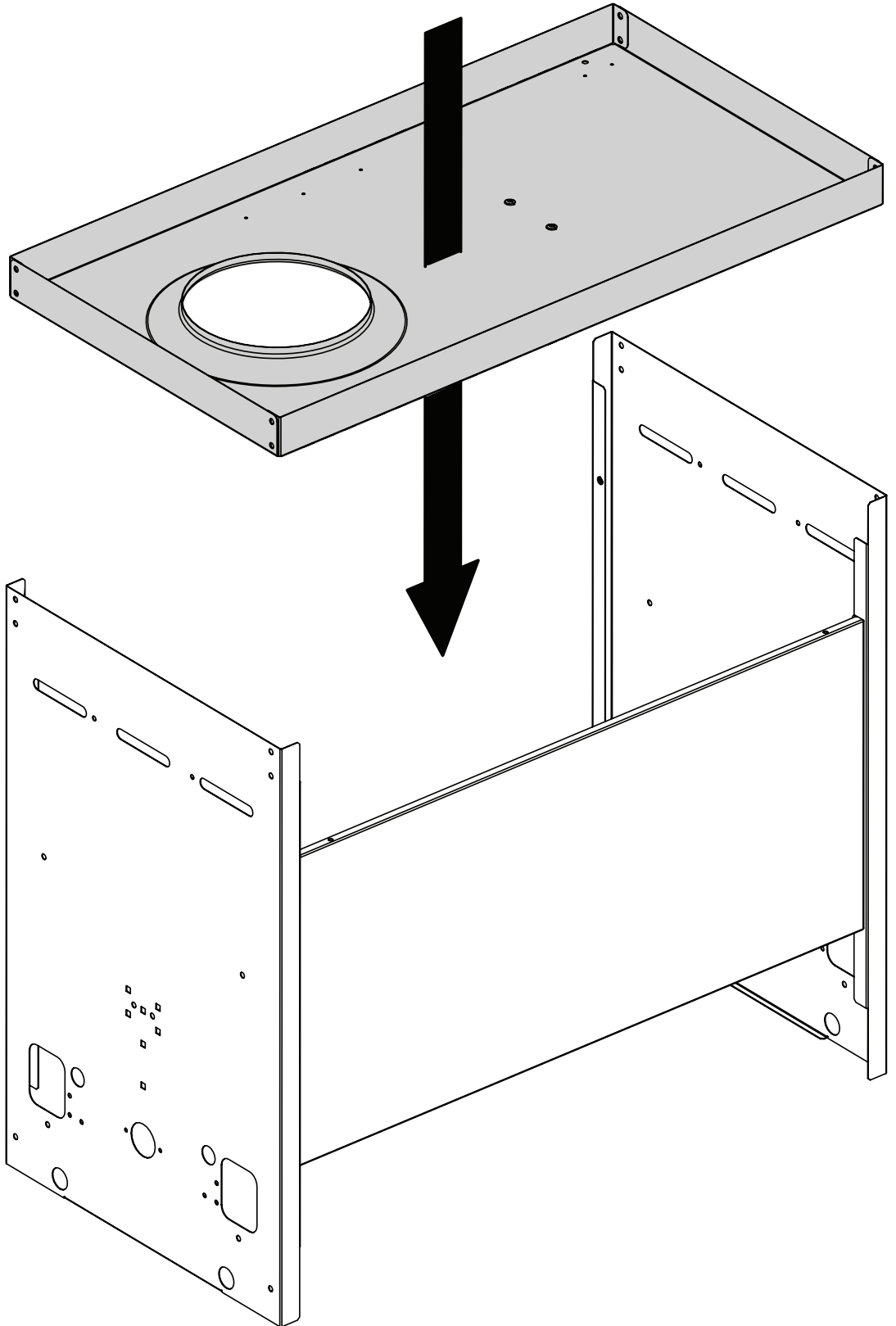
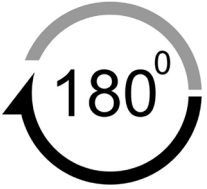
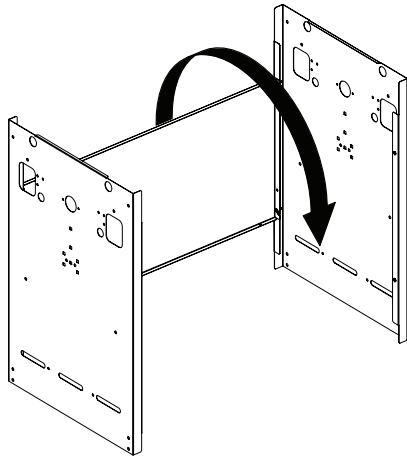
TOOLS REQUIRED / OUTILS NECESSAIRES



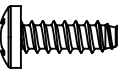
1

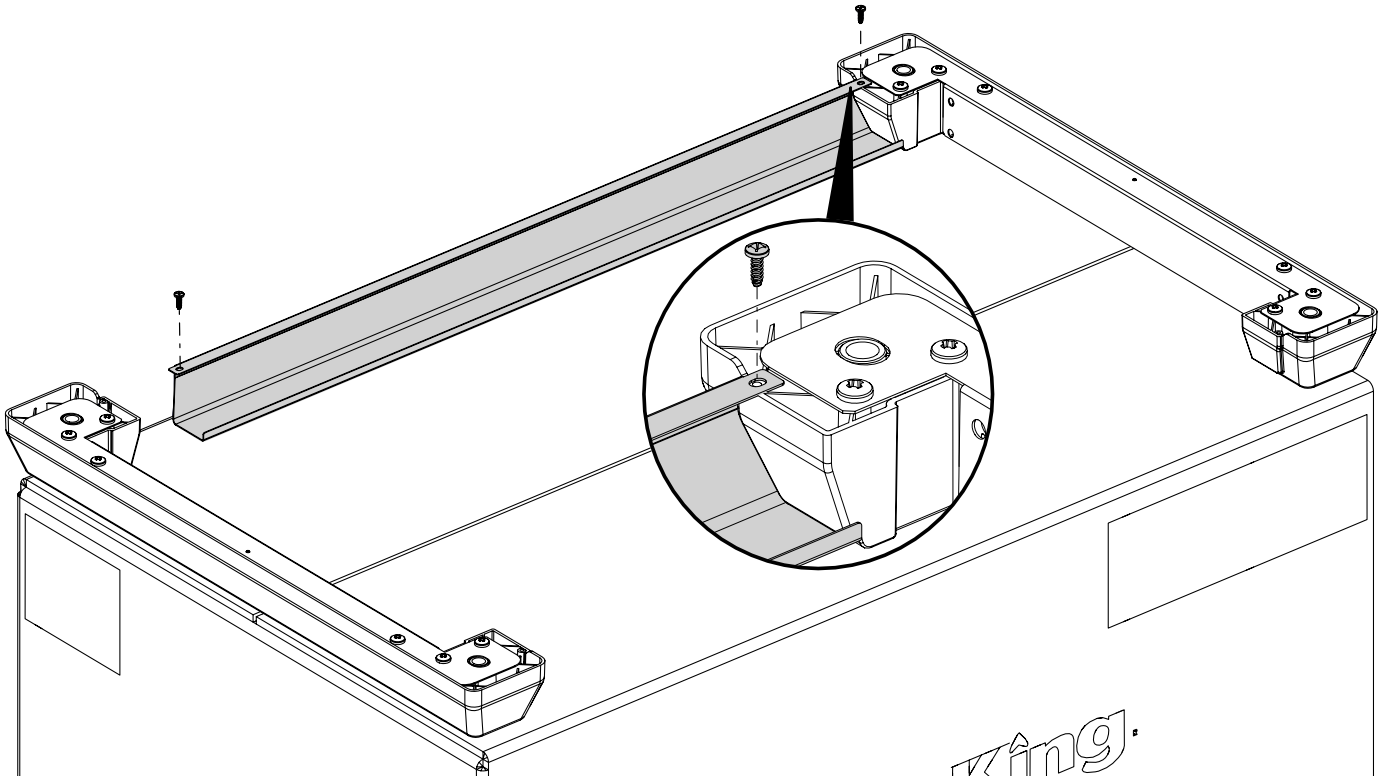


2

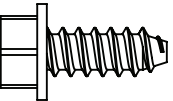


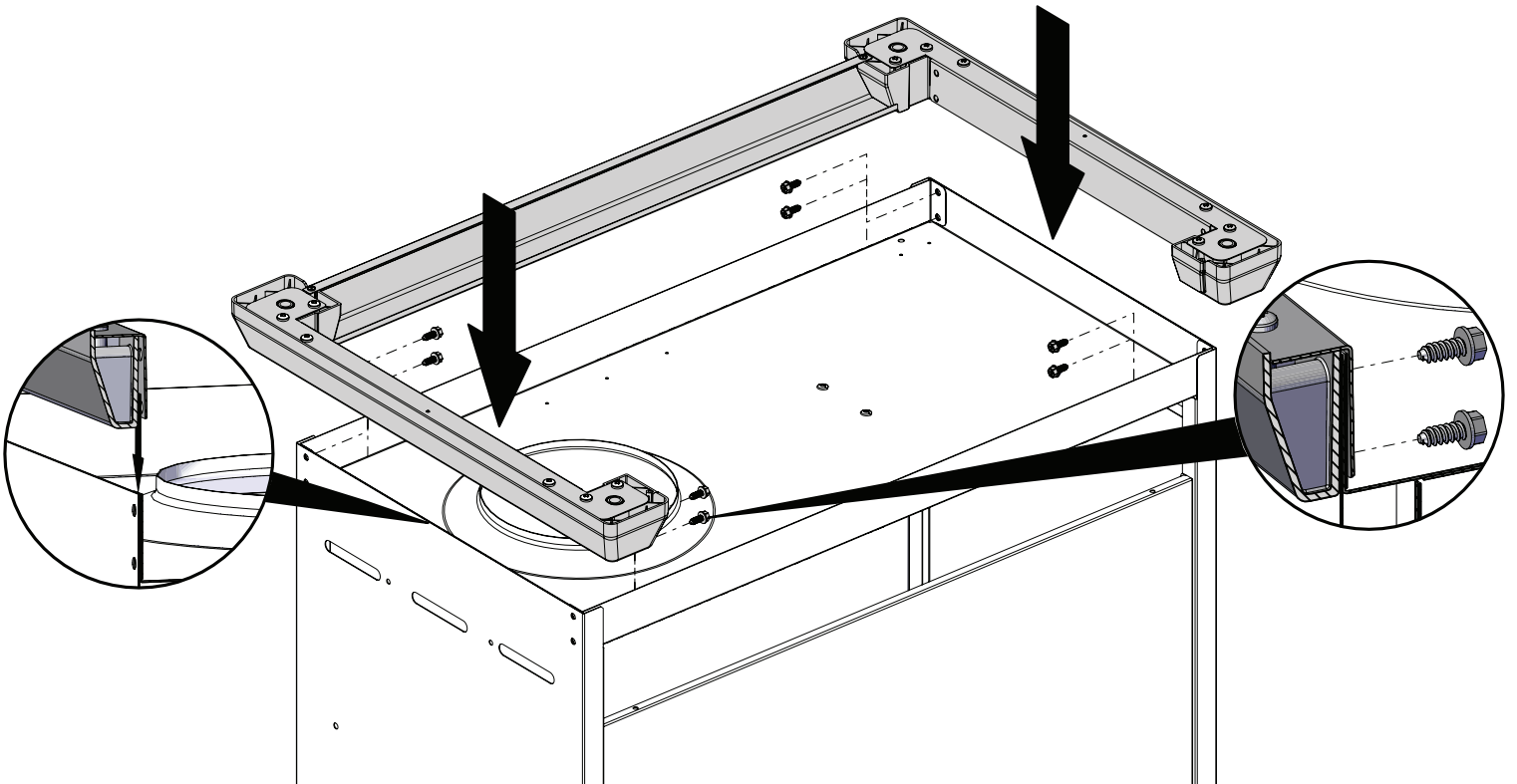
3

(2) 



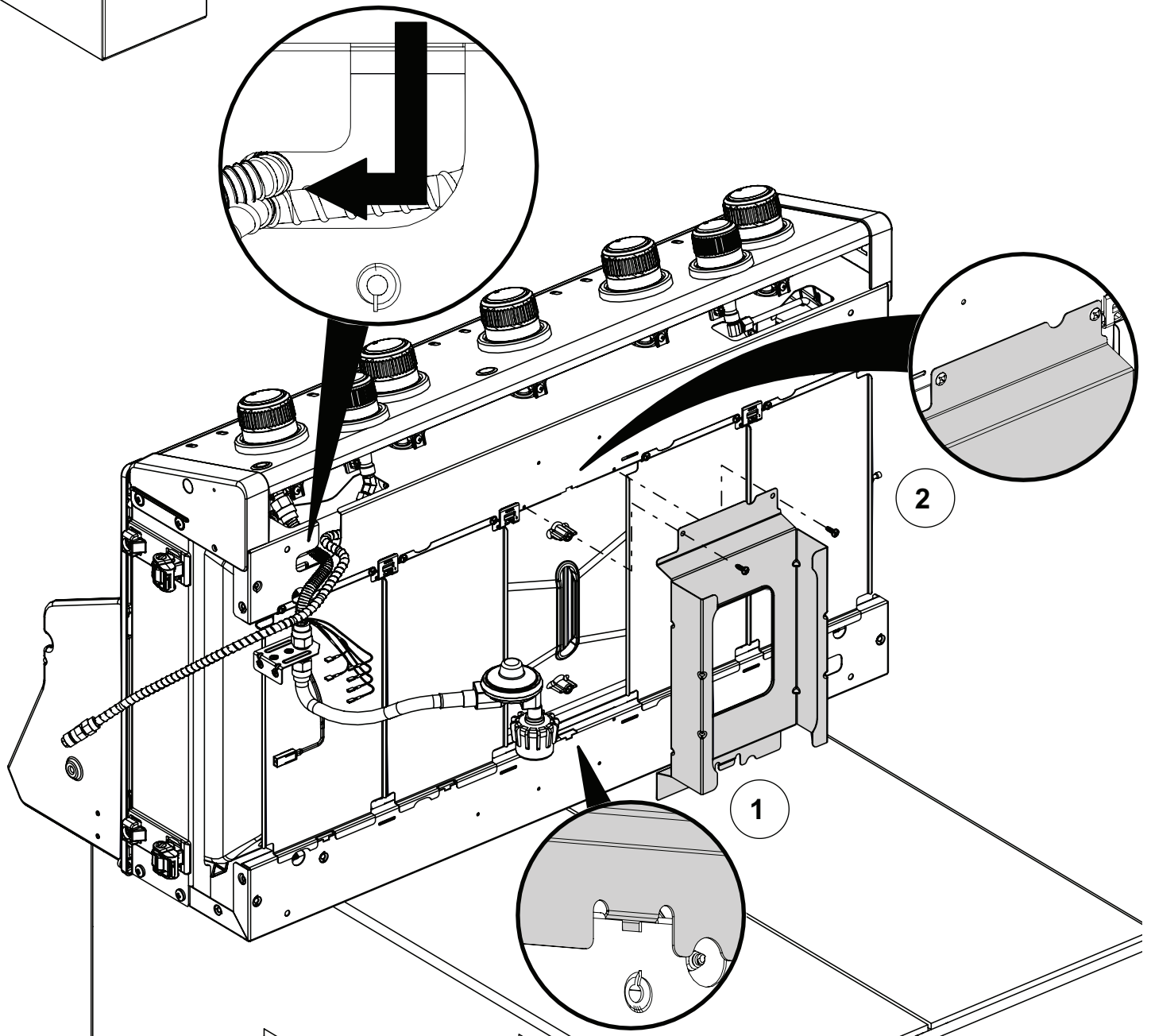
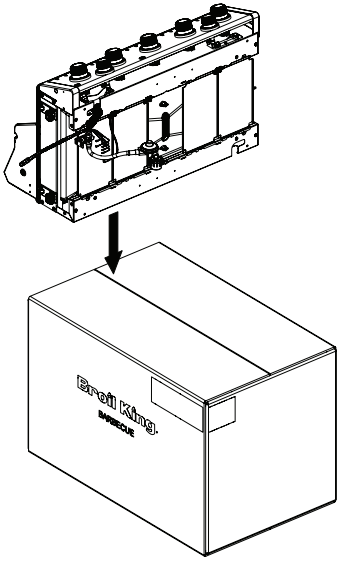
4

(8) 

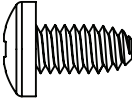


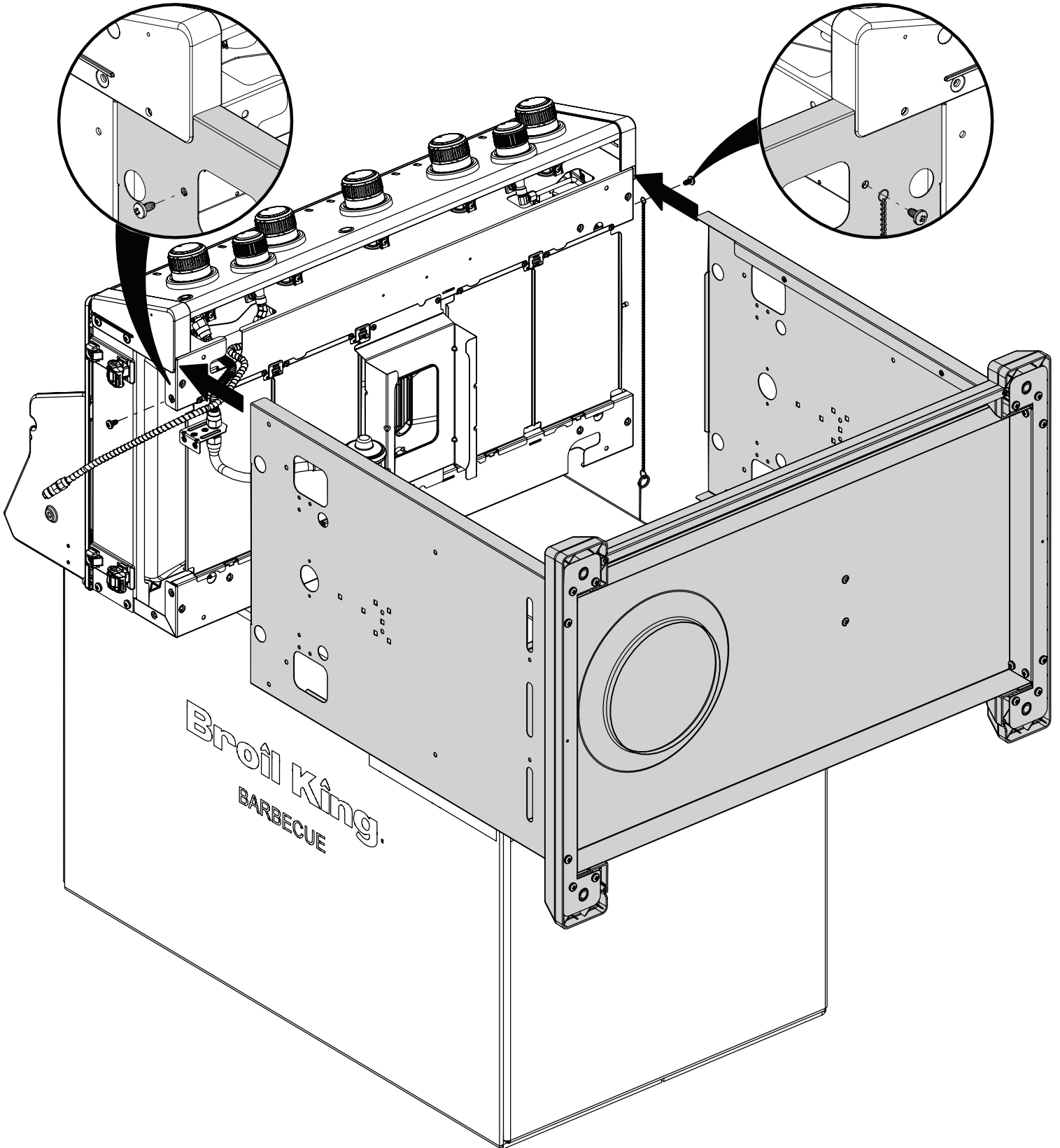
5

(2) 

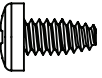


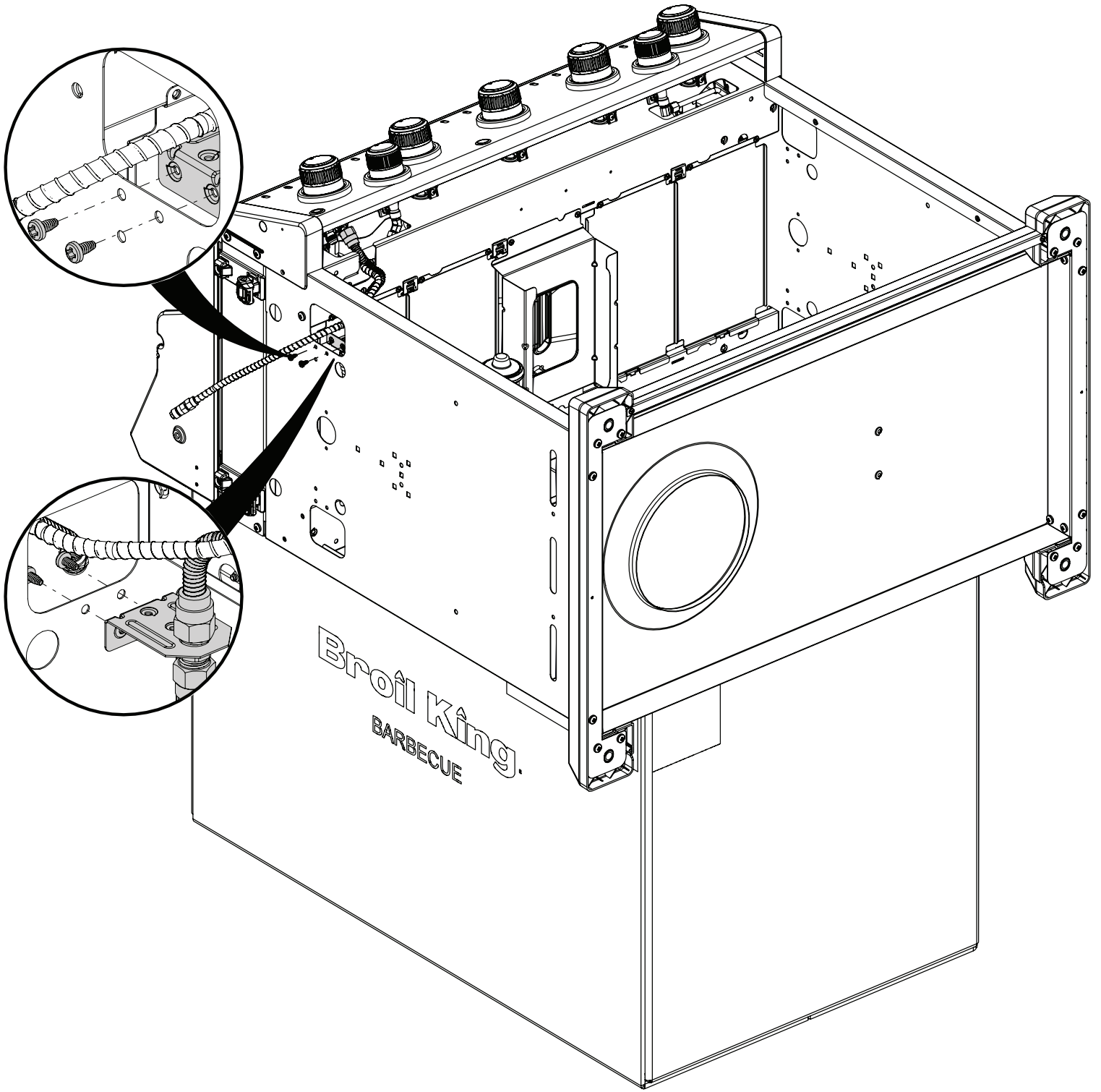
6

(2)  (1)




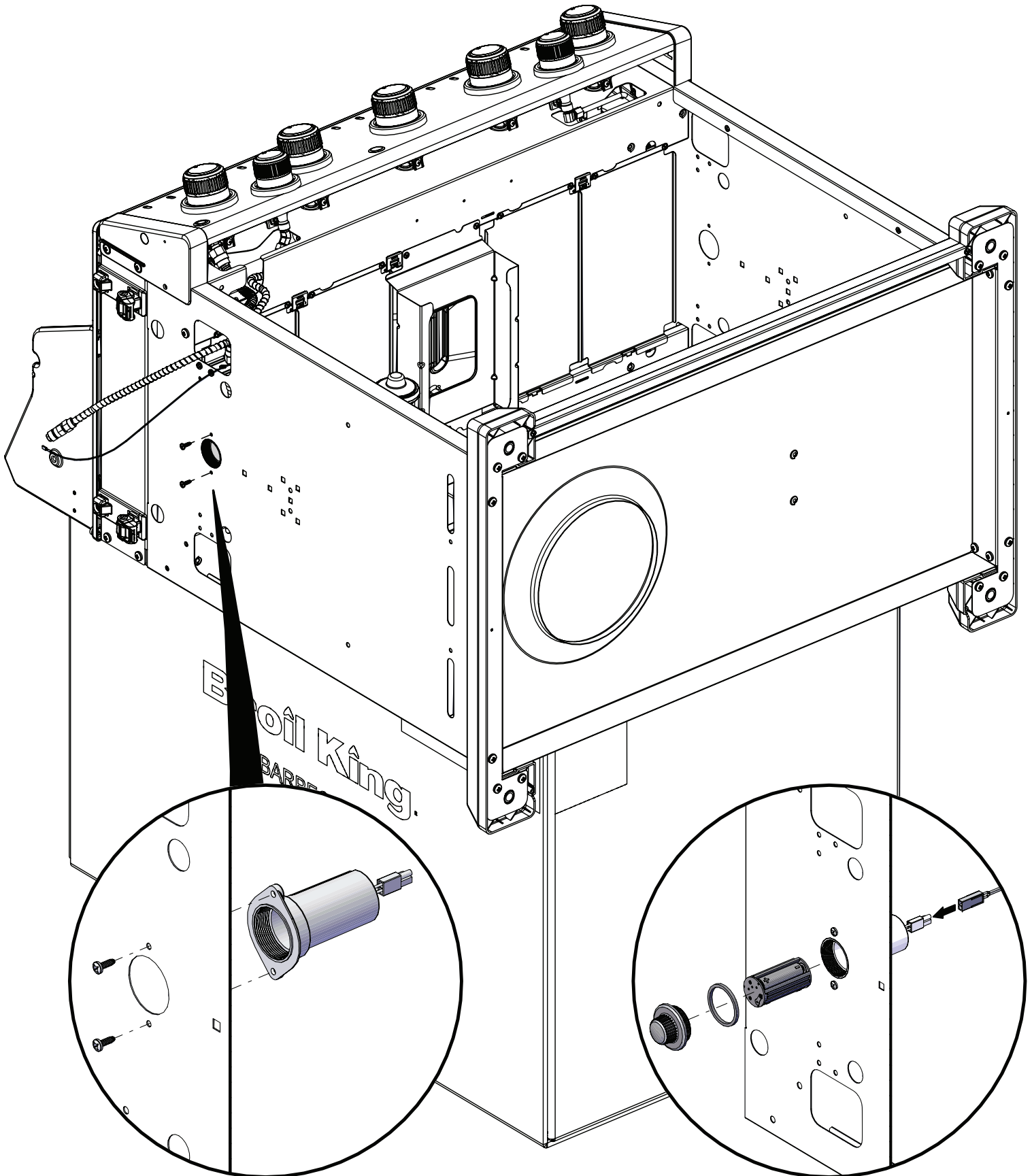
7

(2) 

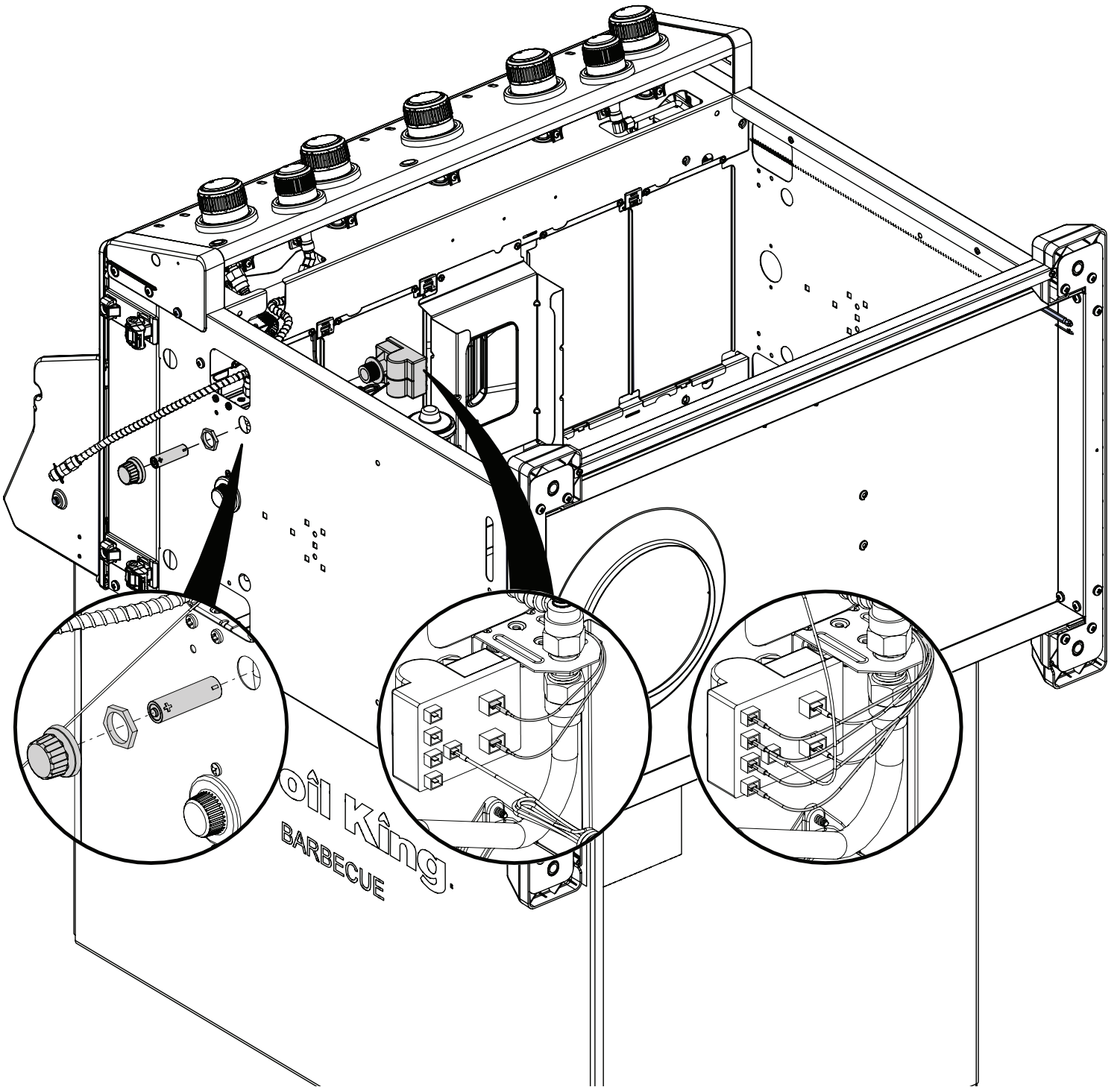
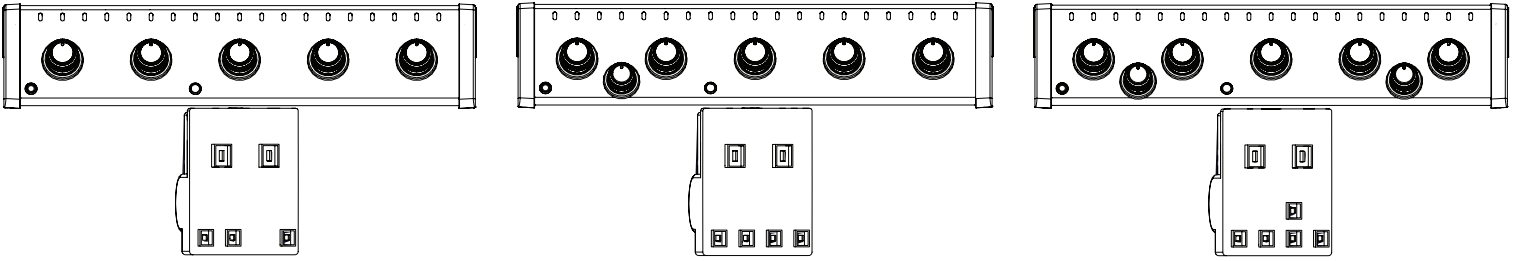


8


(2) 



9

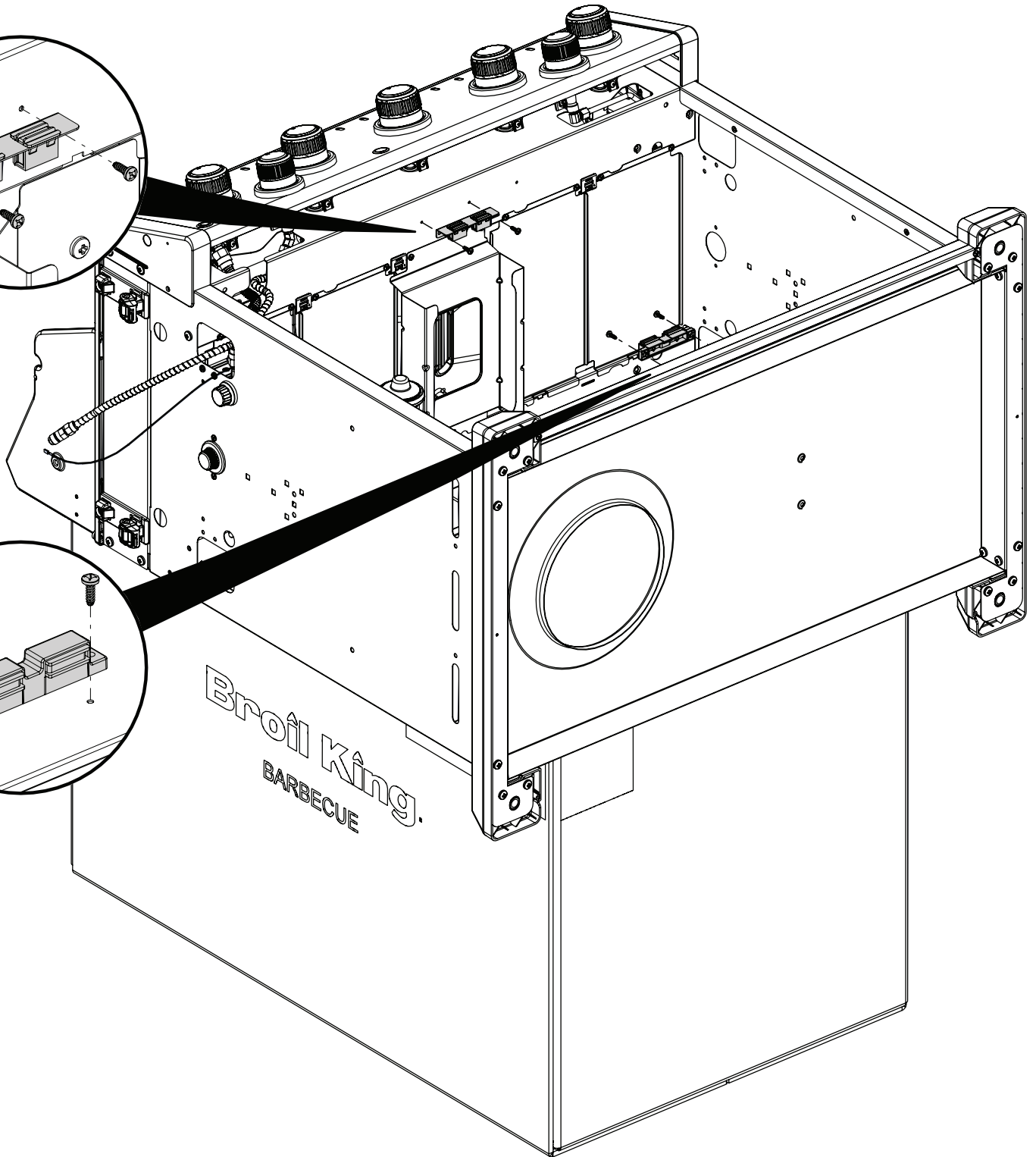
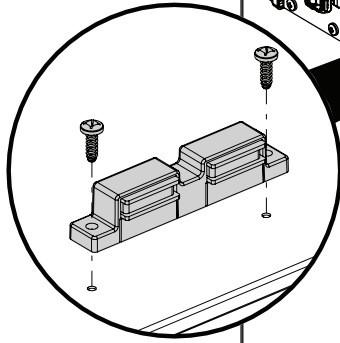
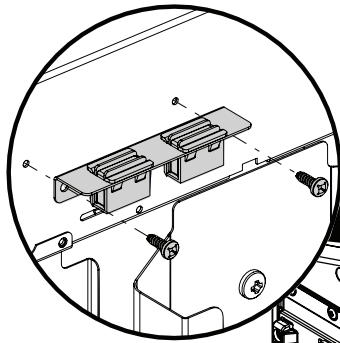
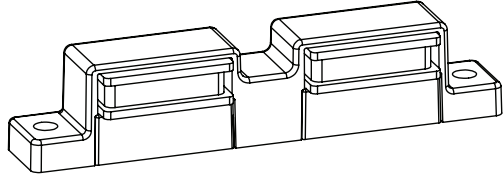
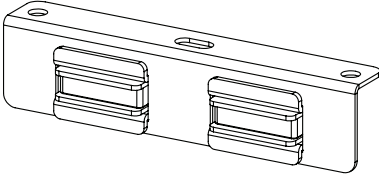


10

(4) 

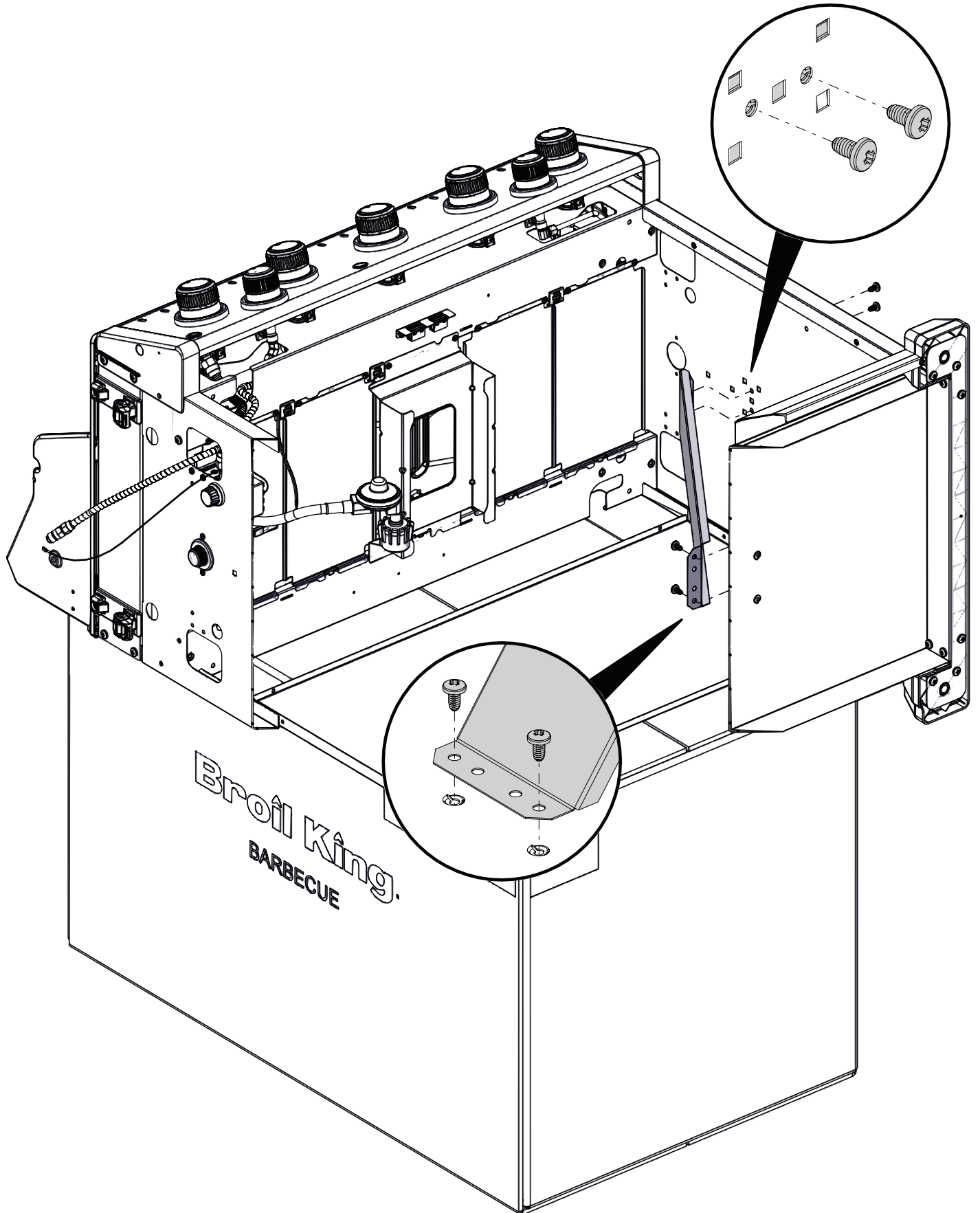
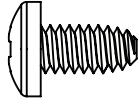
(1) 

(1) 

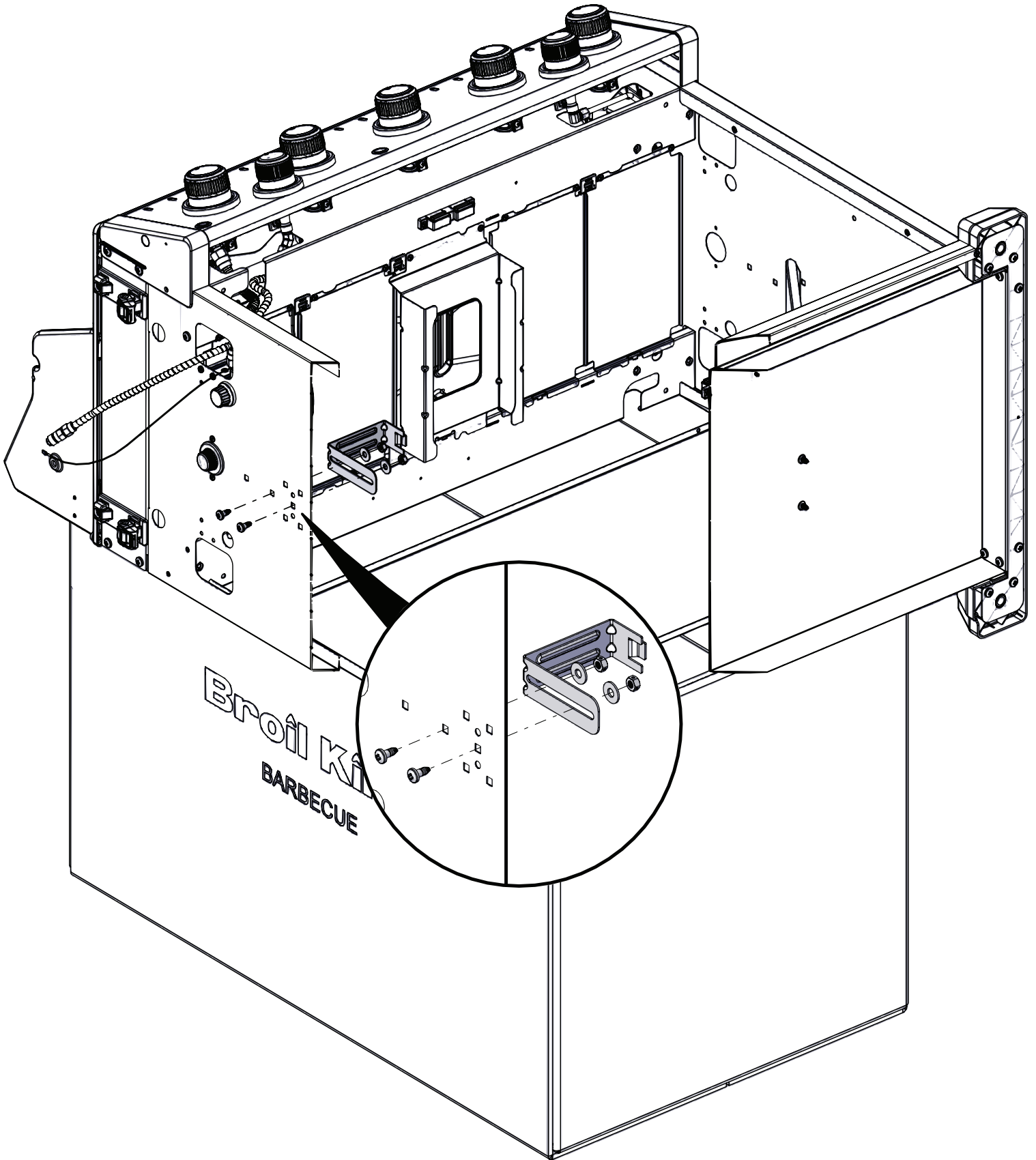
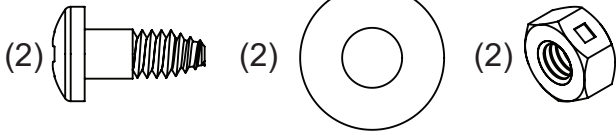


11

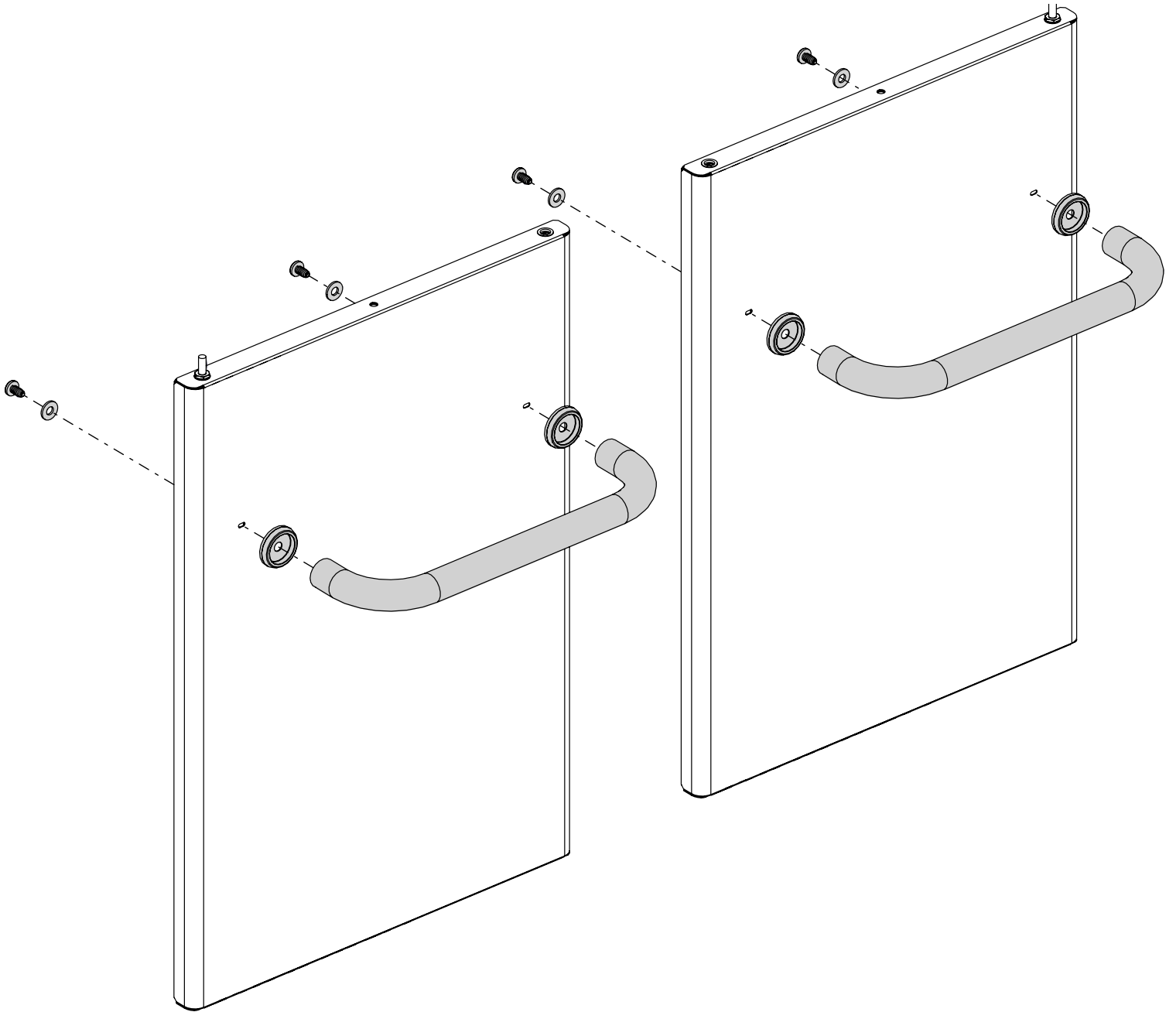
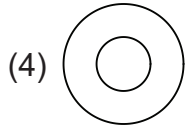
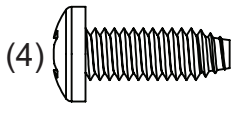
(4)



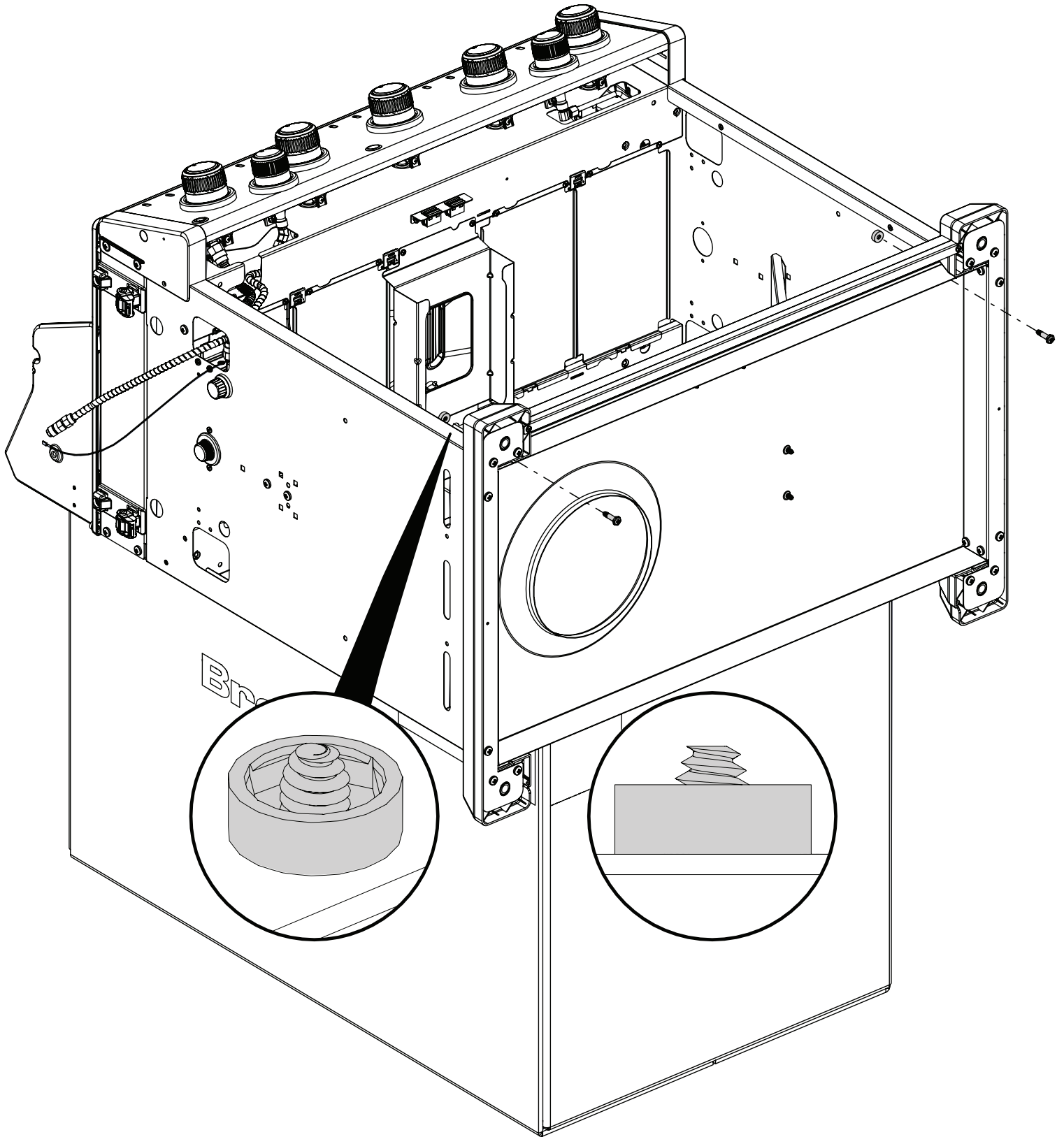
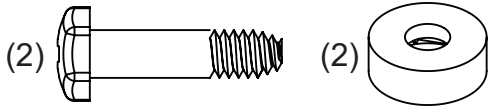
12

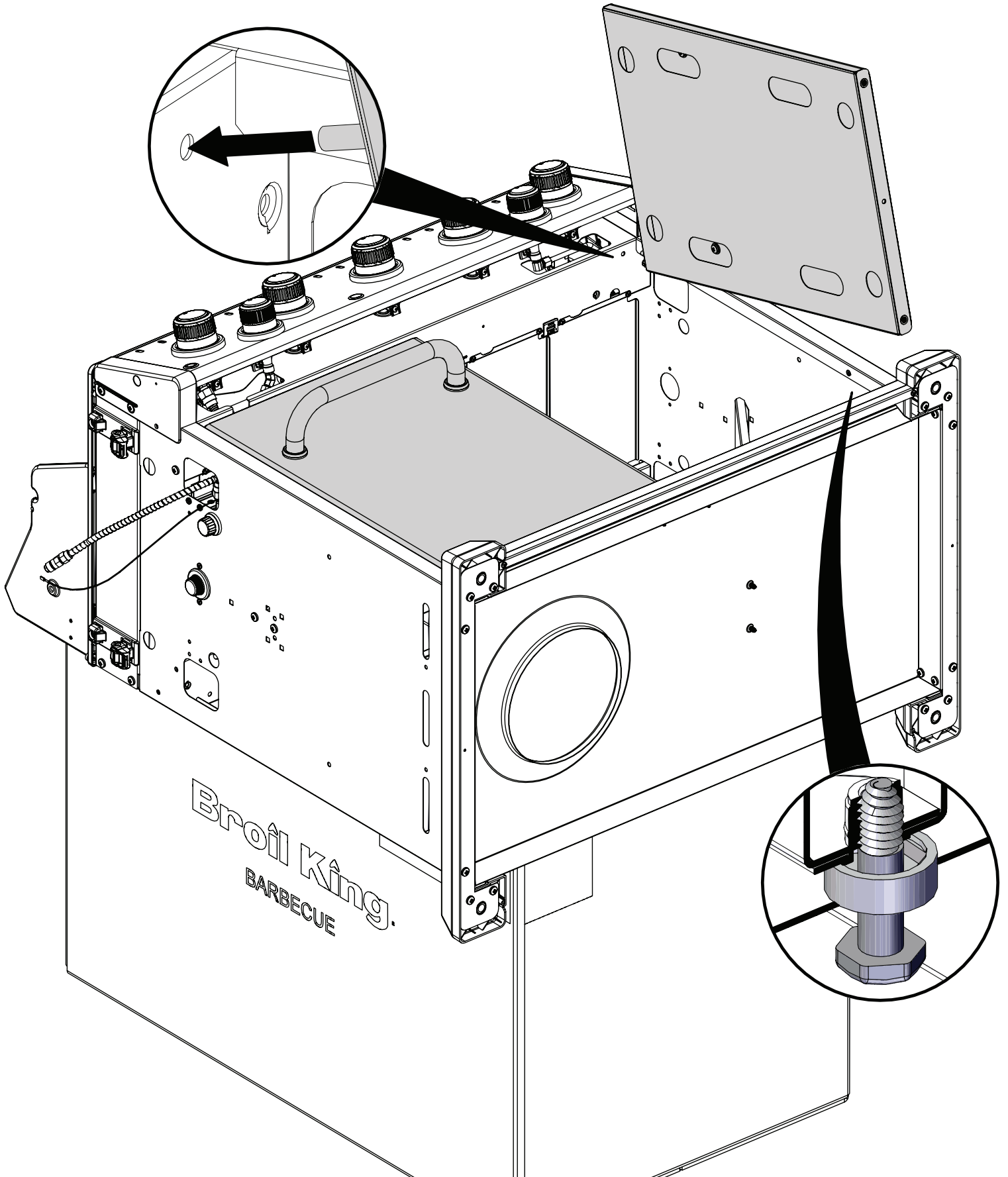


13



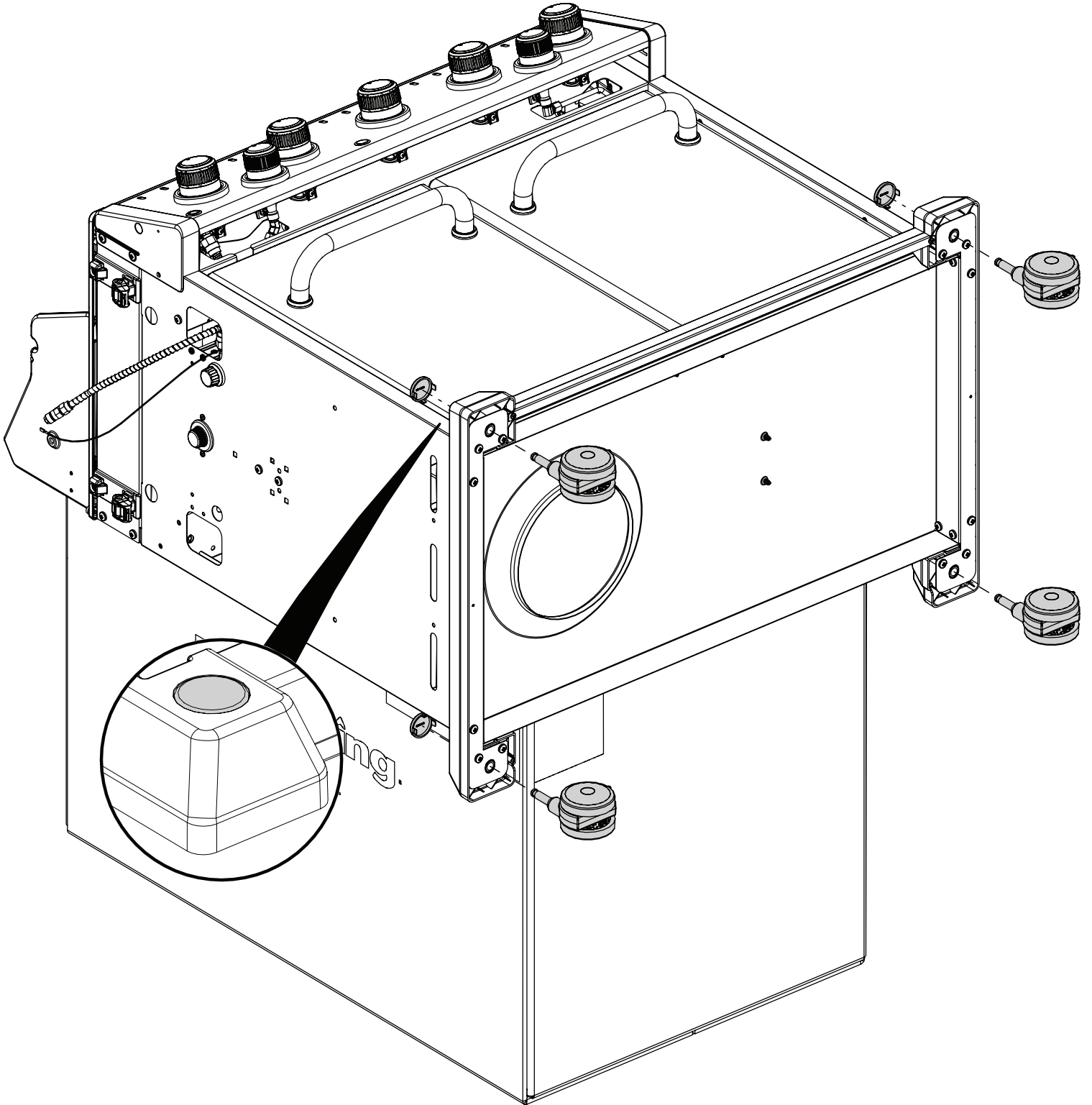
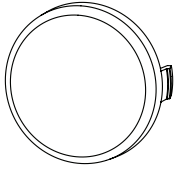
14



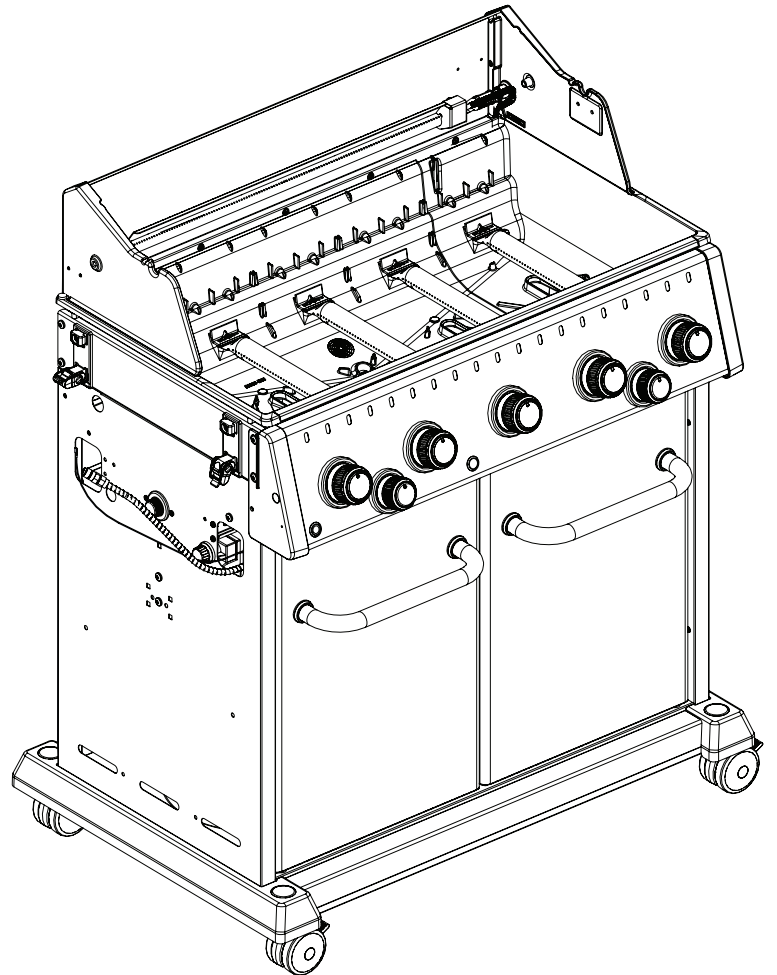
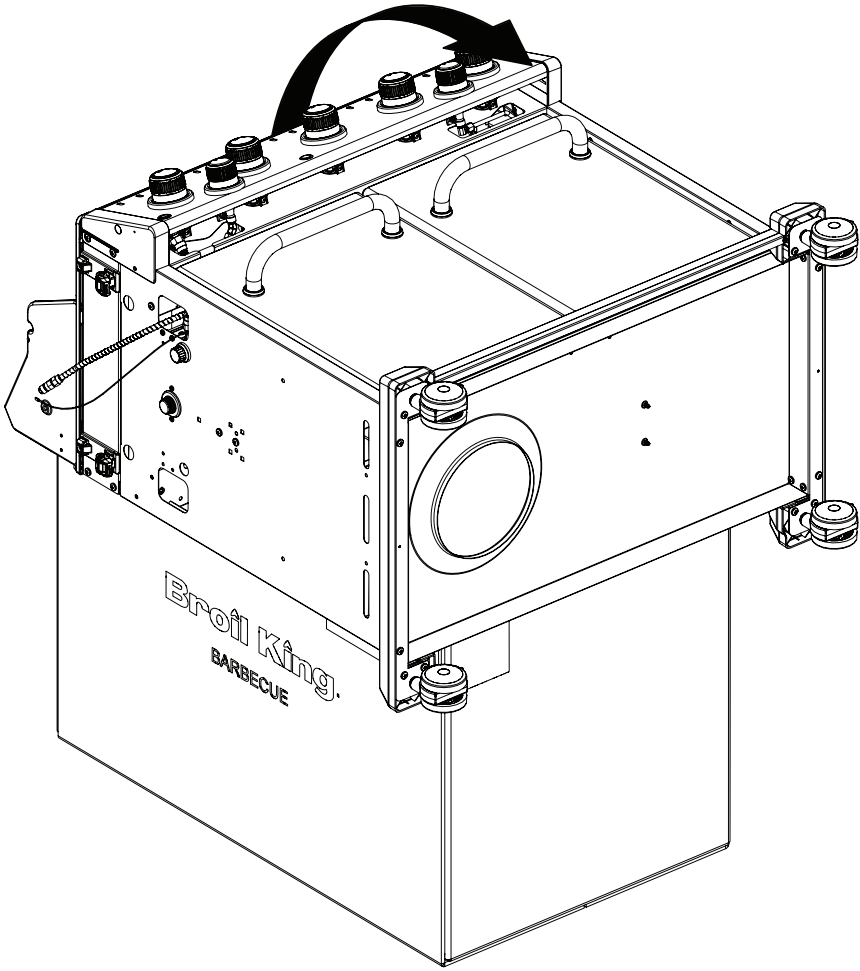


16

(4)

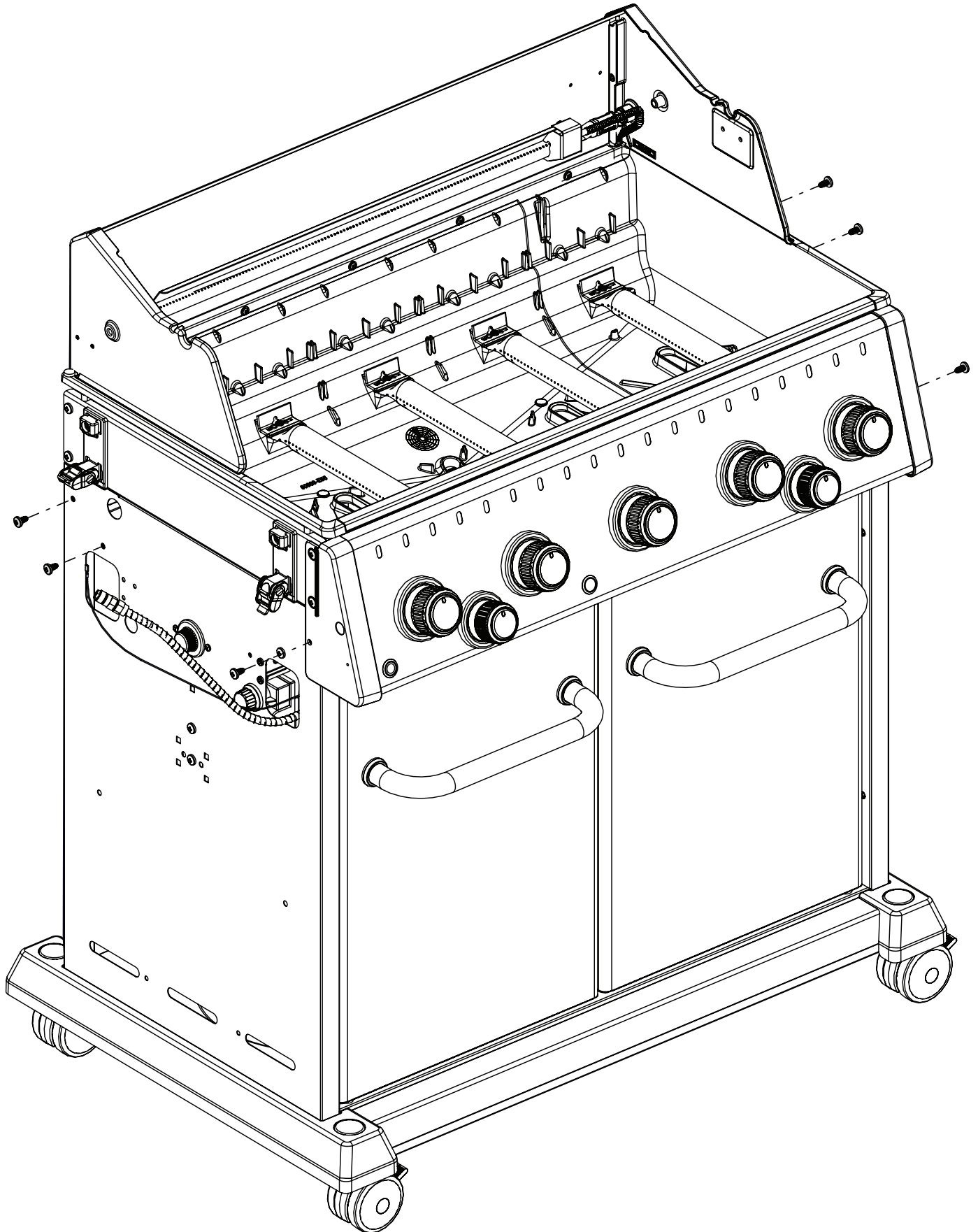
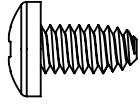


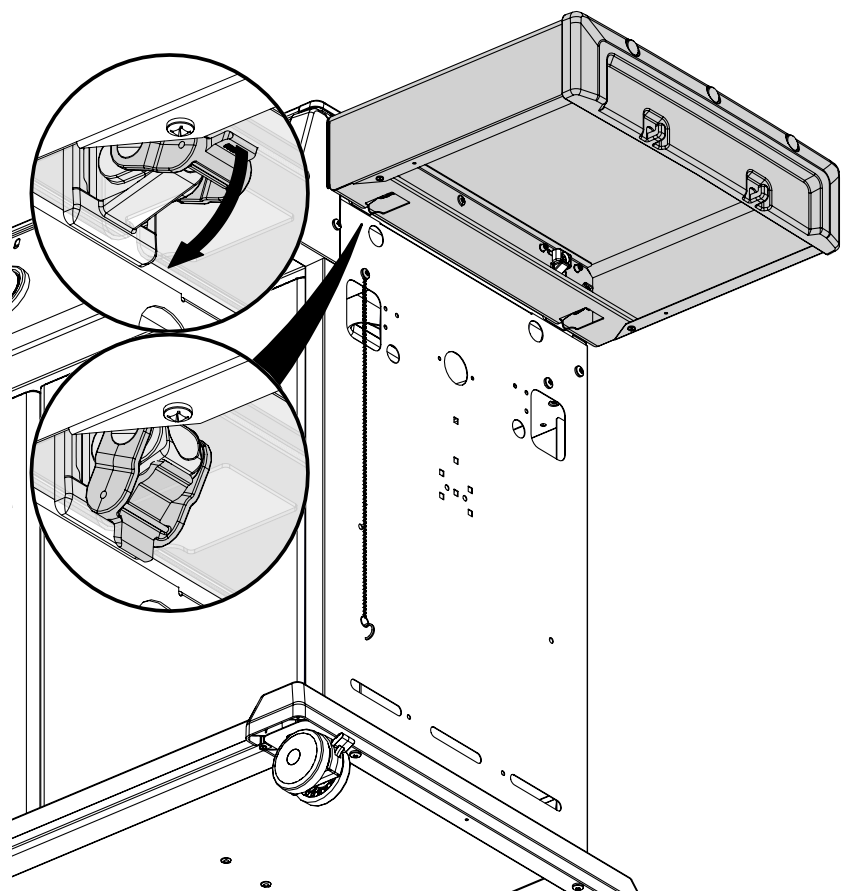
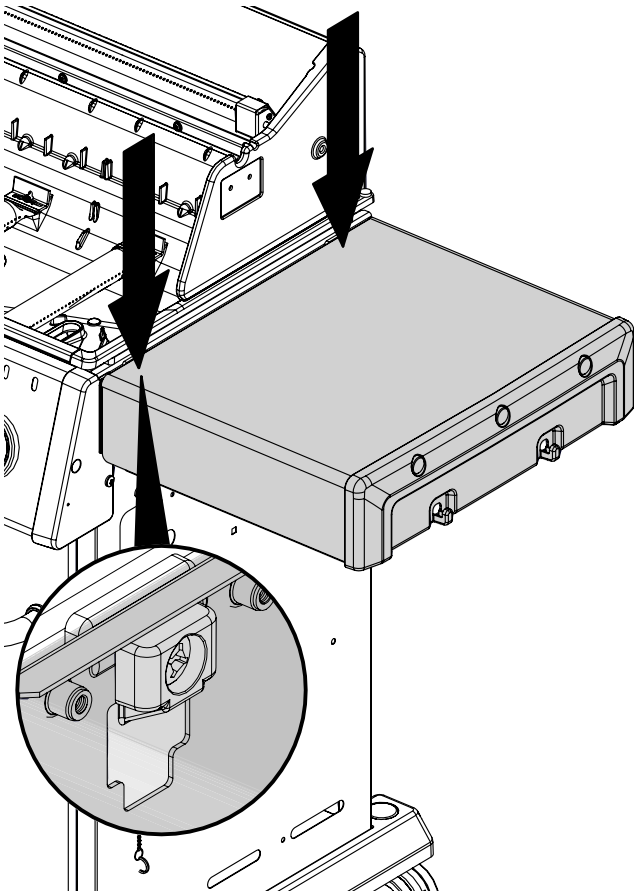
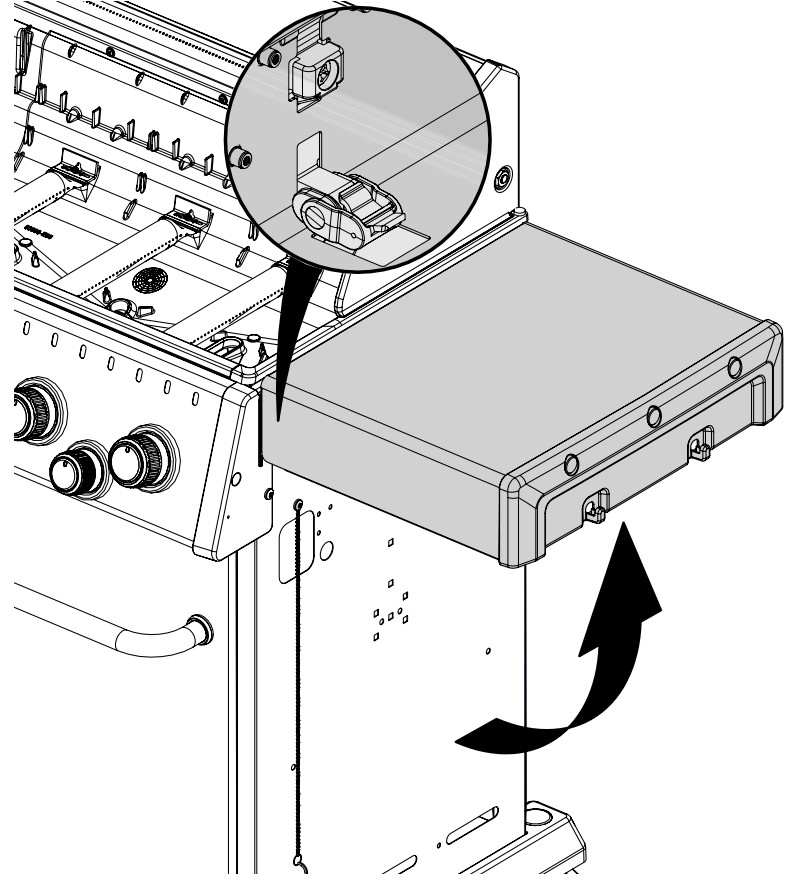
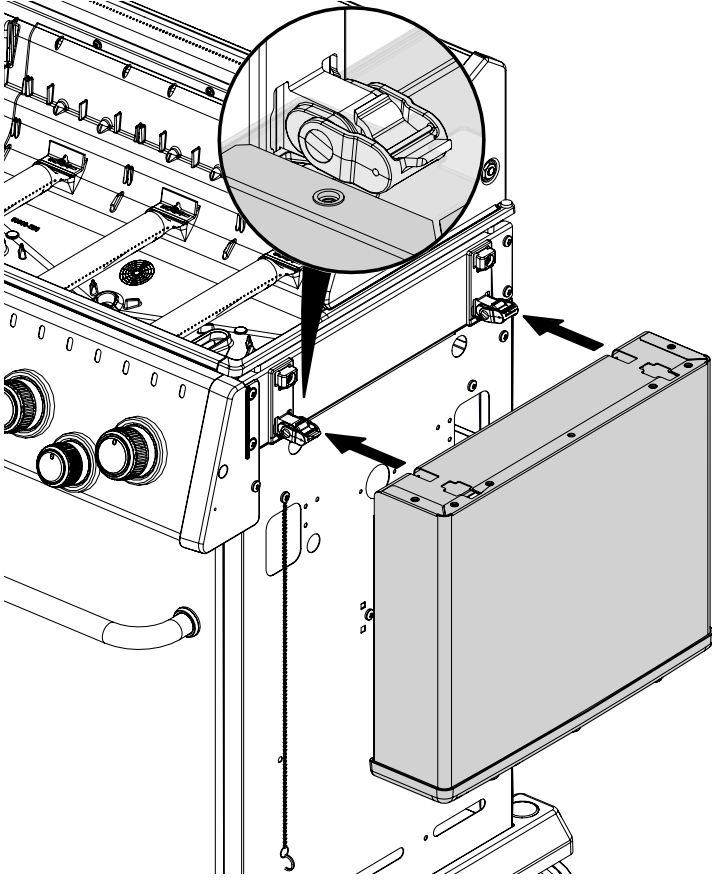
17



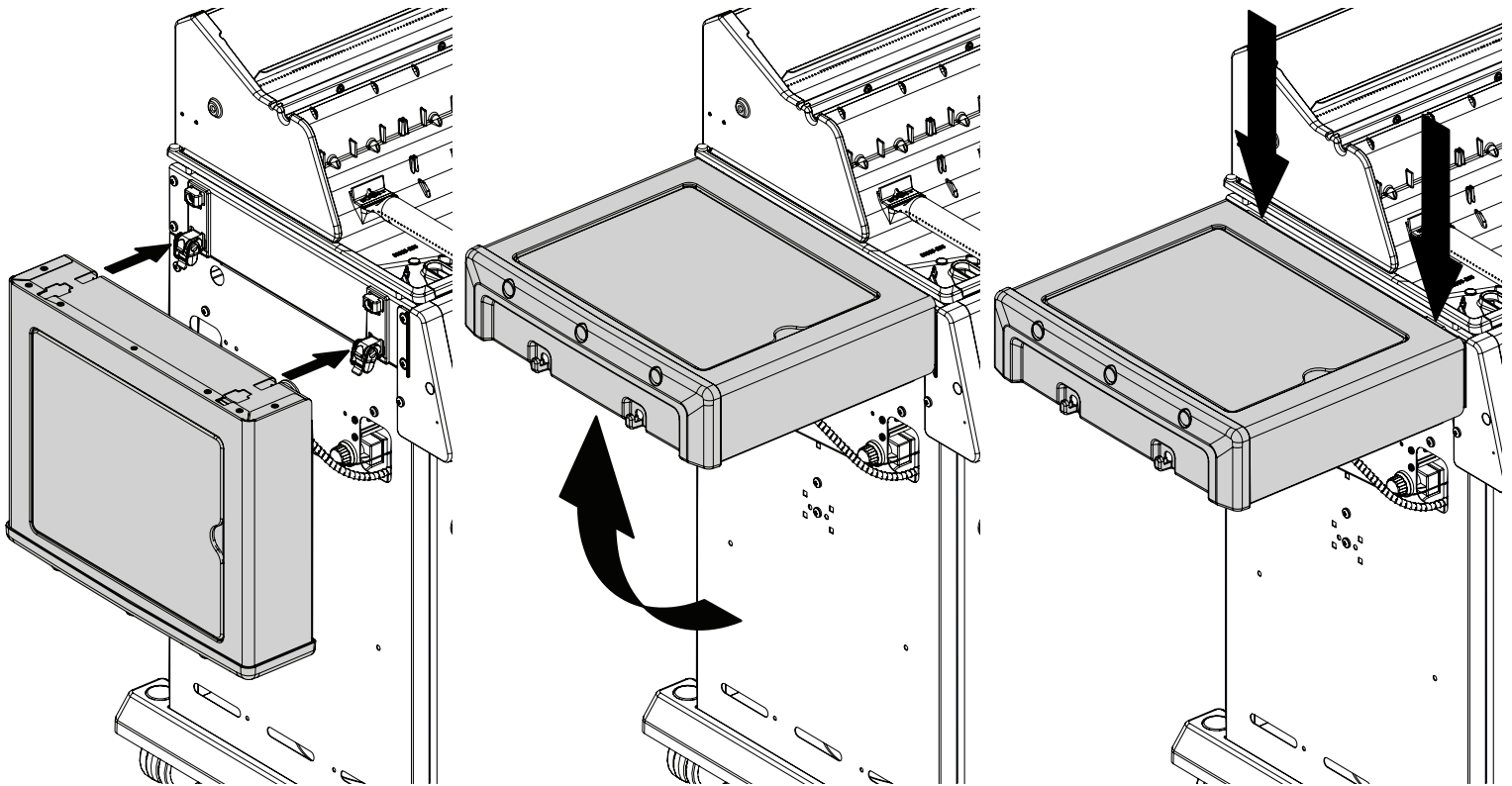
18

(6)





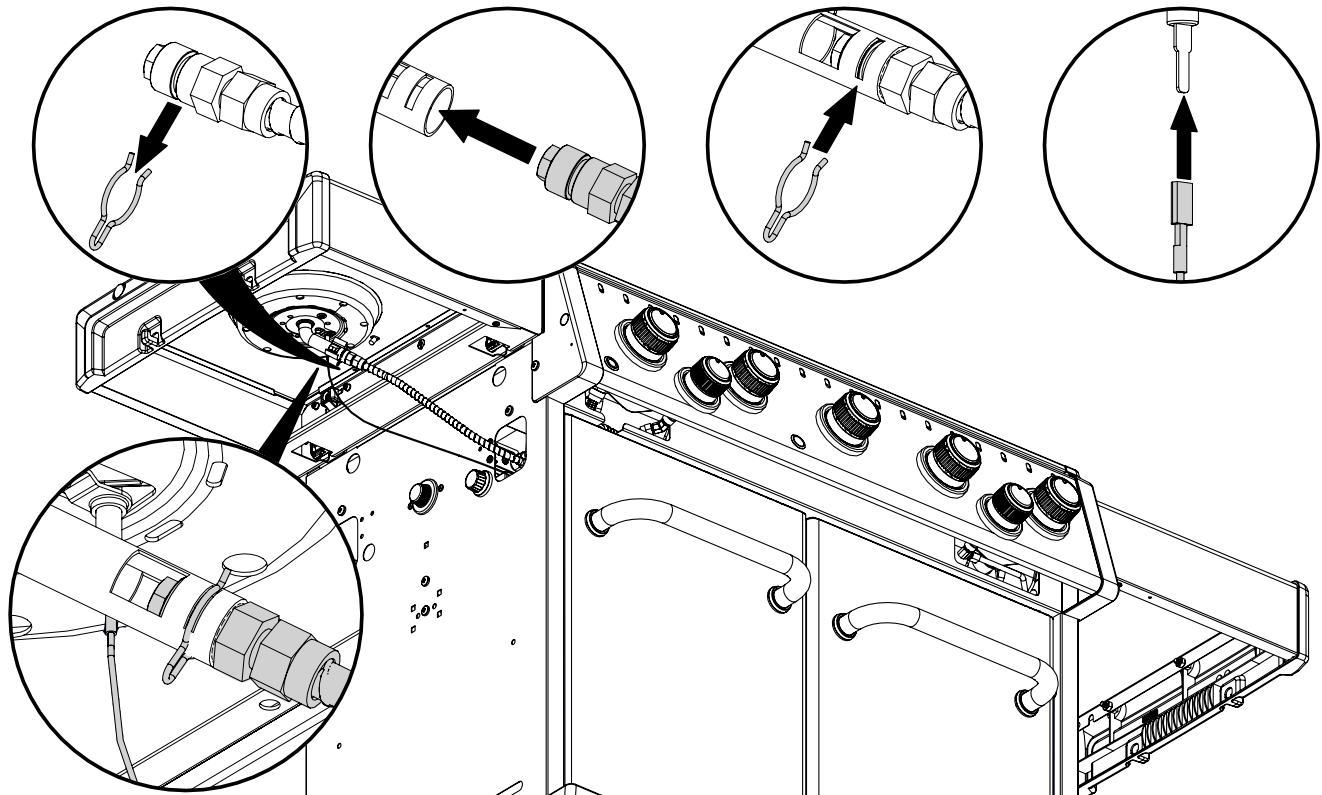
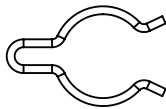
20

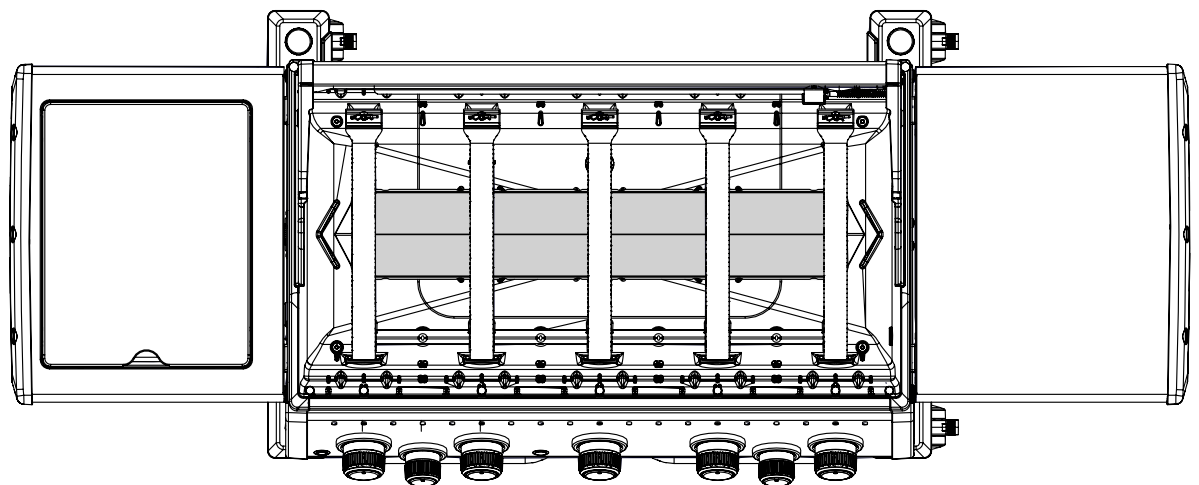
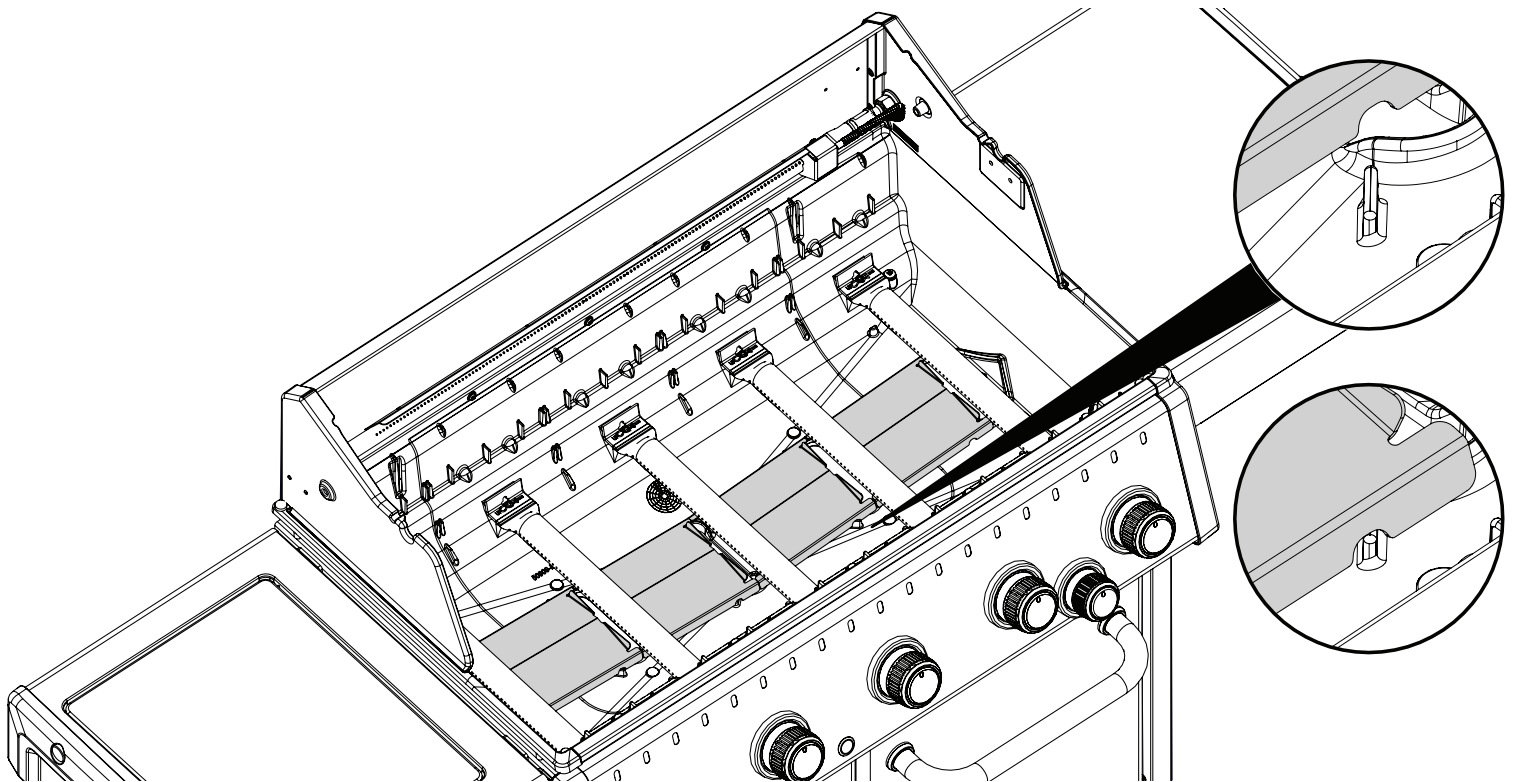
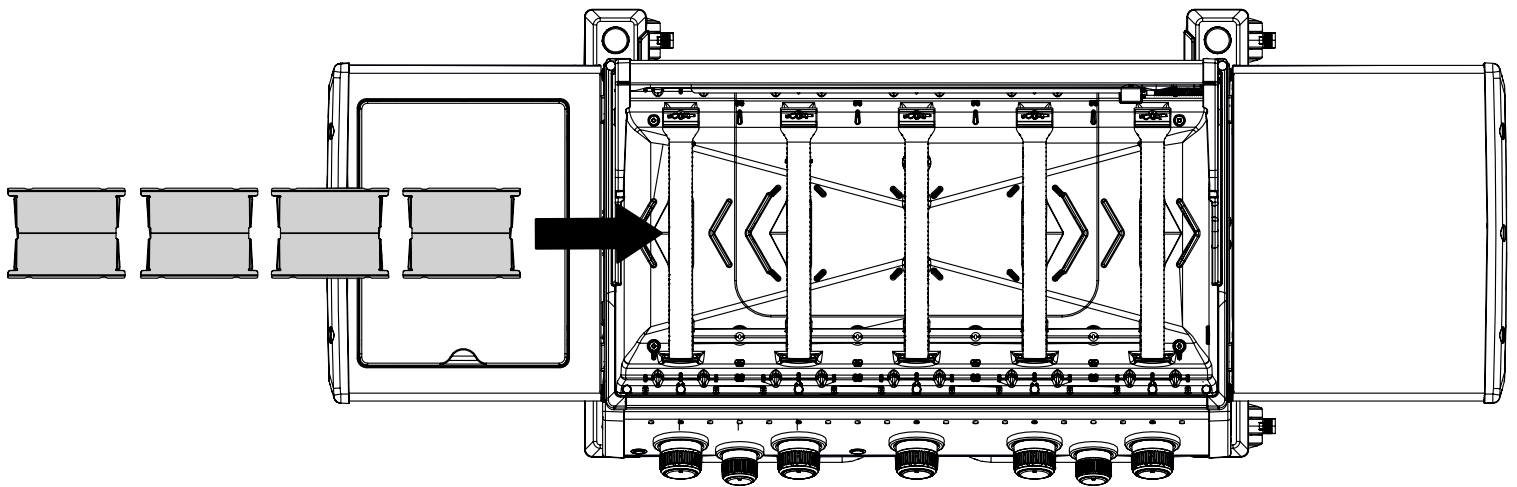


21

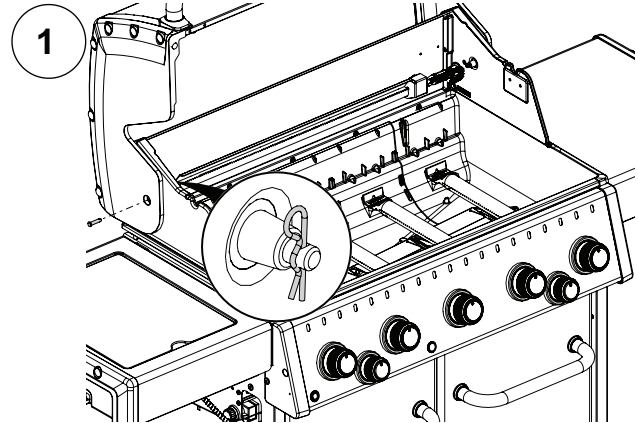
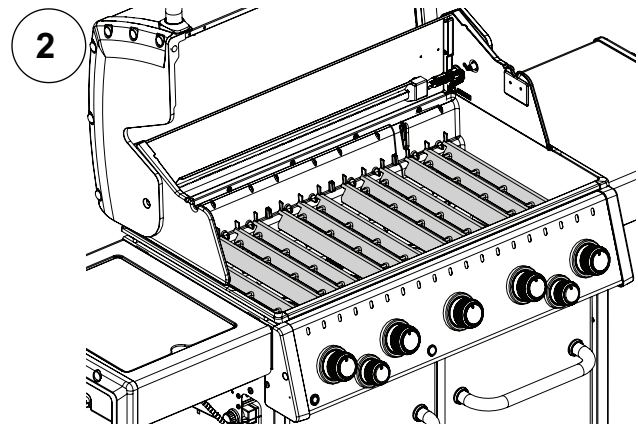
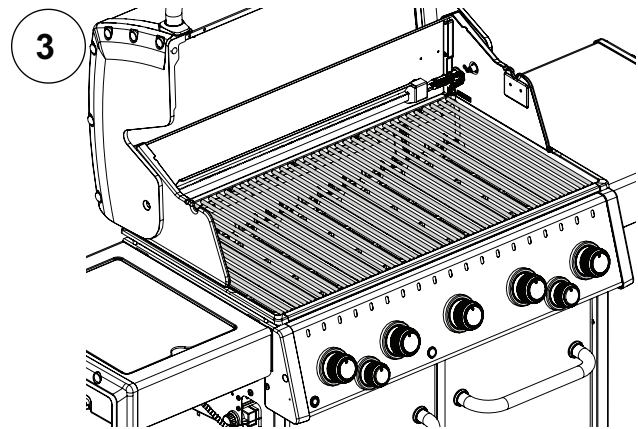
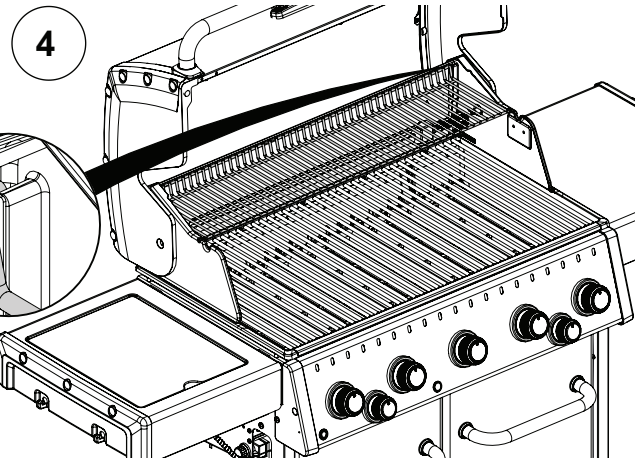
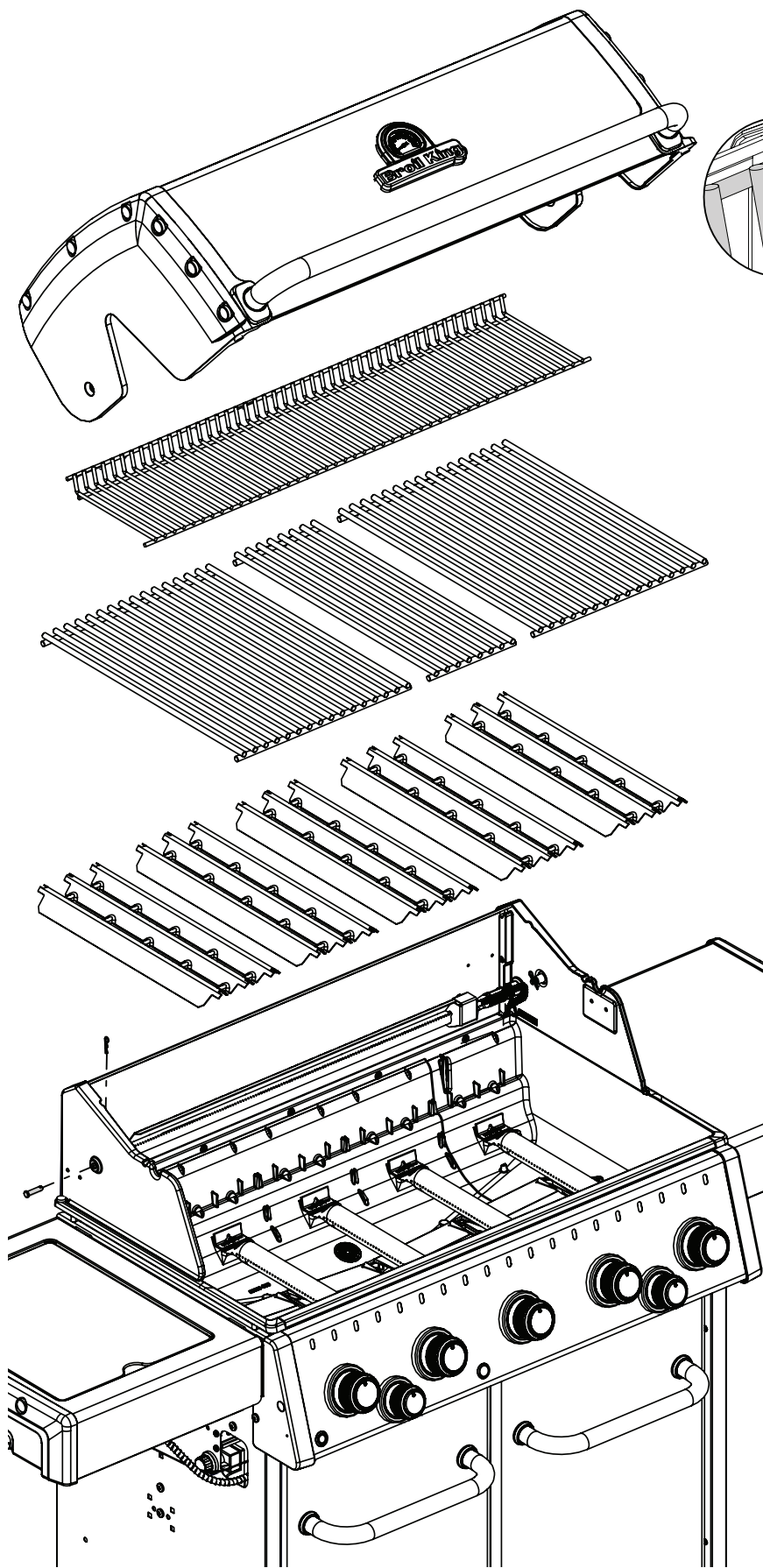
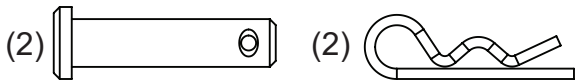


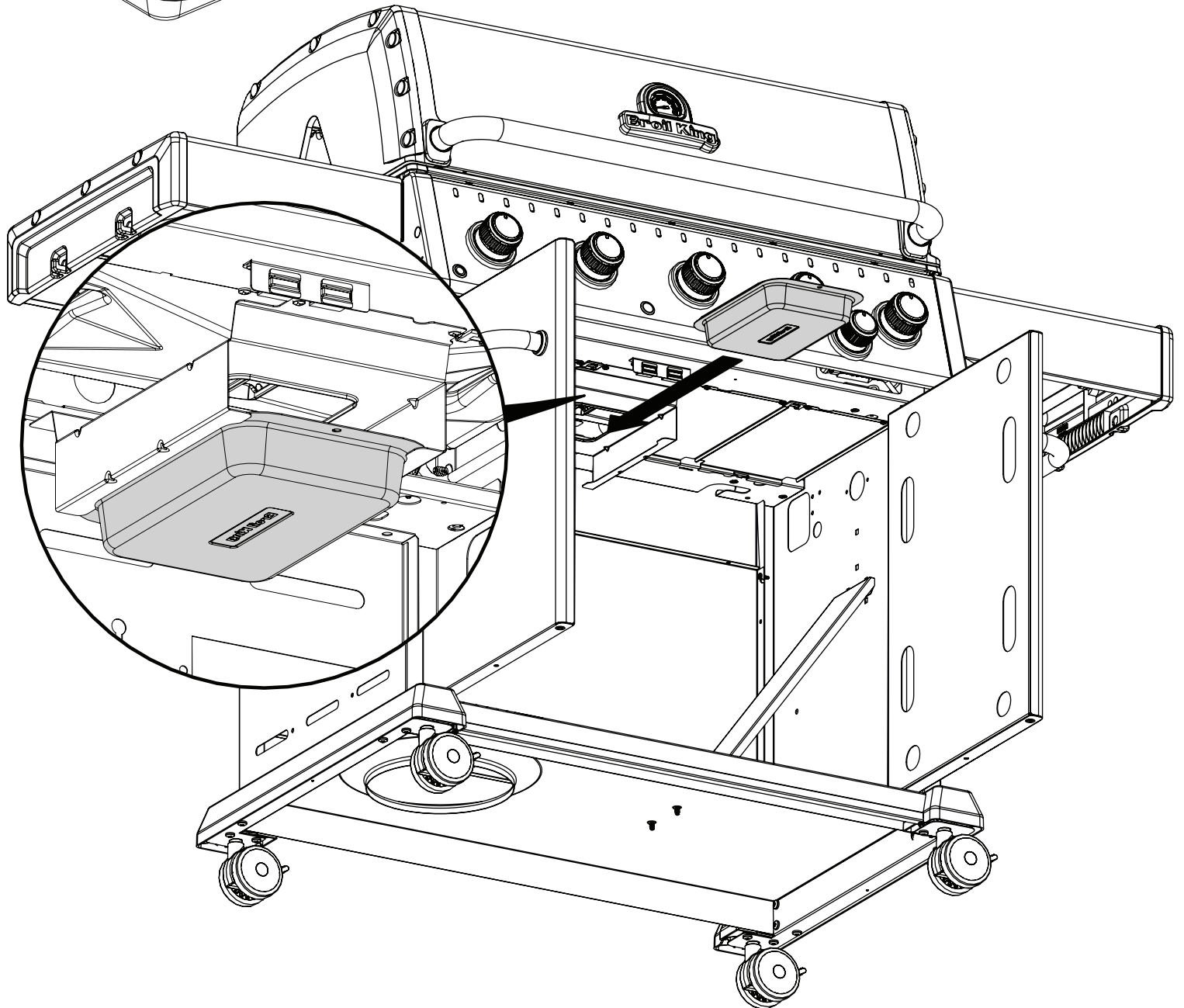
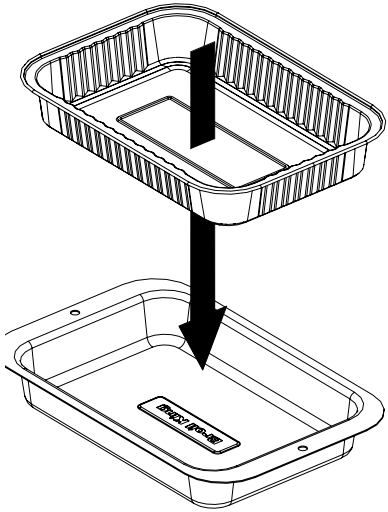
(1)





23





25

